

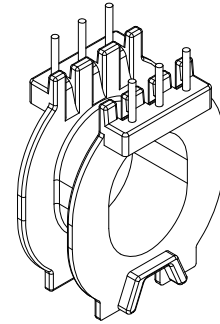
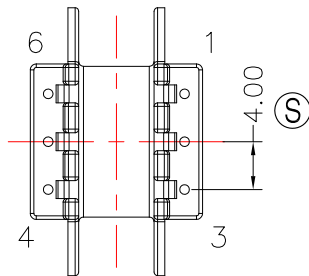
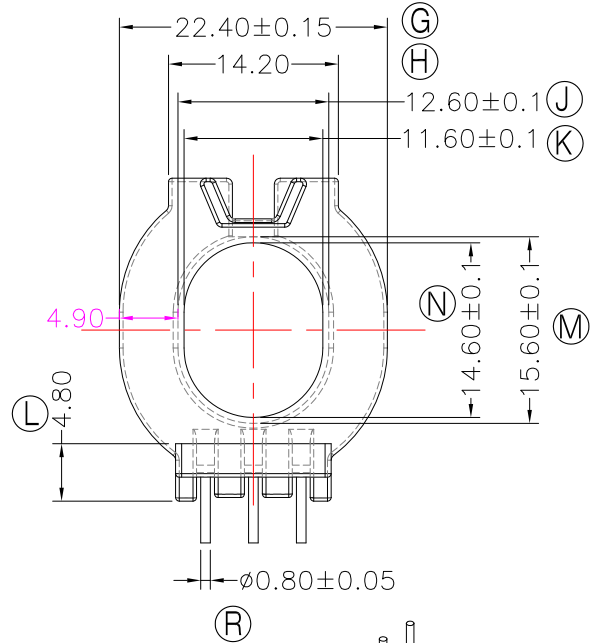
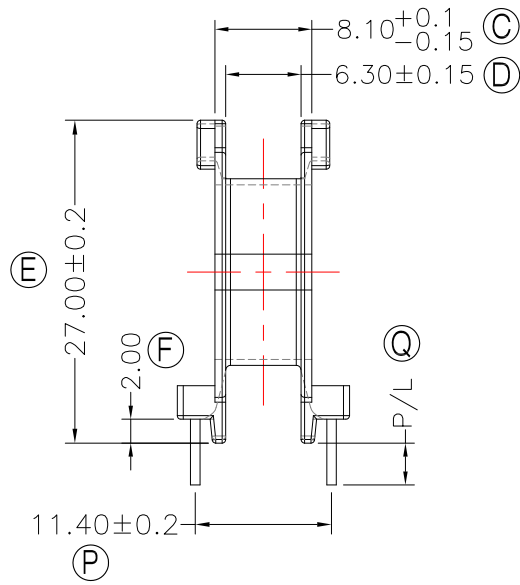
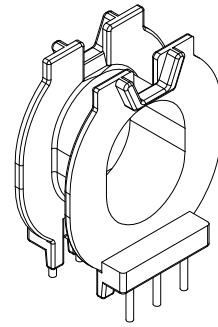
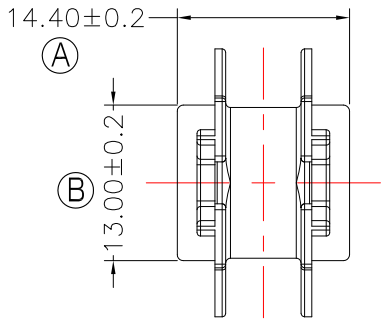


**TRANSFORMER BOBBIN
INDUSTRIAL CO.,LTD.**

Tel : 86-769-88789999 Fax : 86-769-88789989
http:// tbi-tw.com e-mail : tb6688@ms46.hinet.net

REVISIONS

REV	SYM	DRAFTER	CHECKER	DATE
①		F.LU	G.F.YANG	05/18/17
②				
③				



Winding Space=6.3*4.9=30.87mm²

DWG NO.	ATQ27-14.4-6P-TH-D8-17				
PART NO.	MATERIAL (BOBBIN)	MATERIAL (TERMINAL)	TERMINAL (PLATING)	PIN ALLOCATION	NOTE
TBI-238-03481.1706	PM-9823	CP WIRE	Sn	ALL PIN P/L=3.5±0.2	S
TBI-238-03481.1716	PM-9823	CP WIRE	Sn	NO PIN#5 P/L=3.5±0.2	H
TBI-238-03481.1726	PM-9823	CP WIRE	Sn	NO PIN#1,6 P/L=3.0±0.2	
TBI-238-03481.1736	PM-9823	CP WIRE	Sn	NO PIN#1,6 P/L=3.5±0.2	
TBI-238-03481.1746	PM-9823	CP WIRE	Sn	NO PIN#1 P/L=3.5±0.2	
TBI-238-03481.1756	PM-9823	CP WIRE	Sn	NO PIN#4,5 P/L=3.2±0.2	
TBI-238-03481.1766	PM-9823	CP WIRE	Sn	NO PIN#1,2,3,4,5,6	
TBI-238-03481.1776	PM-9823	CP WIRE	Sn	NO PIN#1 P/L=2.7±0.2	
TBI-238-03481.1786	PM-9823	CP WIRE	Sn	NO PIN#2,4,5 P/L=3.0±0.2	
	TOLERANCE: 0<L<=4: ±0.1 4<L<=16: ±0.2 16<L<=63: ±0.3			UNIT : m / m	SCALE 1 : 1
Finish:	1. PB wire Immersion Sn on terminal : Thickness:Sn plating,100%,5 μ m (200 μ inches) min,Base nickel 0.625 μ m (25 μ inches) min. 2. CP wire Immersion Sn on terminal : Thickness:Sn plating,100%,5 μ m (200 μ inches) min. 3. Coplanarity deviation: 0.10 mm (0.004 inches)max.				REV 1