

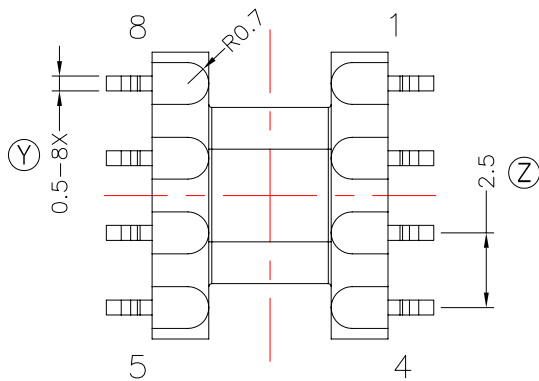
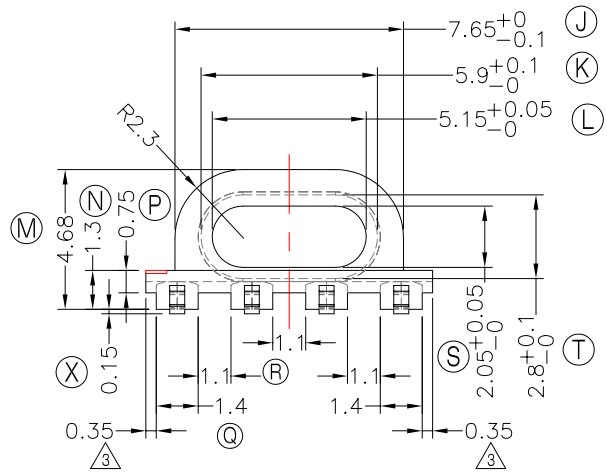
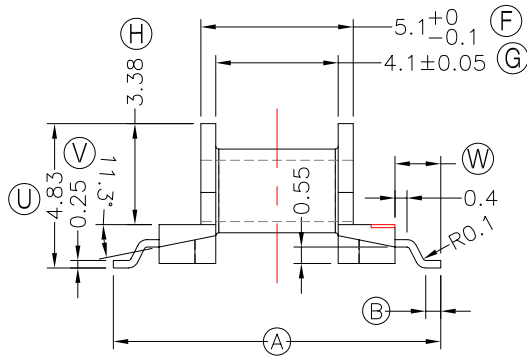
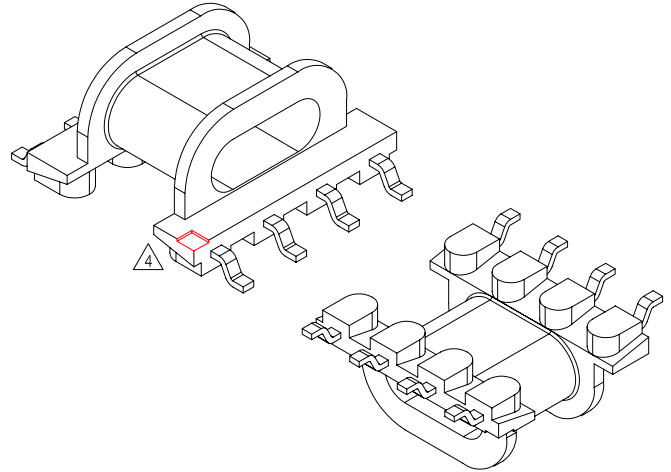
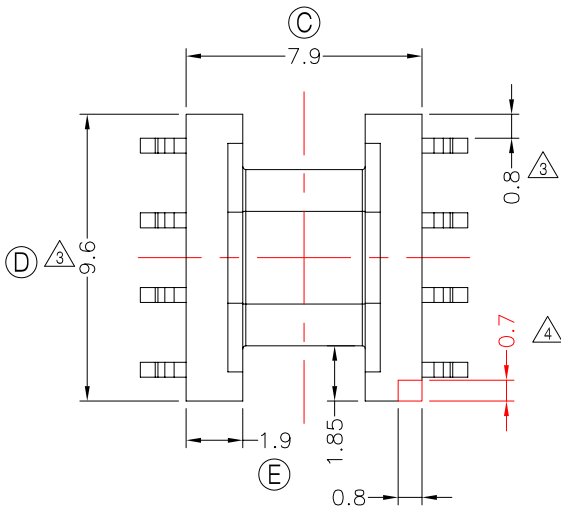


TRANSFORMER BOBBIN
INDUSTRIAL CO.,LTD.

Tel : 86-769-88789999 Fax : 86-769-88789989
http:// tbi-tw.com e-mail : tb6688@ms46.hinet.net

REVISIONS

REV	SYM	DRAFTER	CHECKER	DATE
2		T.S.LII	W.H.HSU	07/25/06
3		YAN.TANG	G.F.YANG	12/25/08
4		YAN.TANG	G.F.YANG	08/17/10



NOTE

- 針對TBI-106-02051.143料號時, 要求 PIN8不插因為產品無防呆機構,以塑膠PIN1標示數PIN時, 生產出的產品PIN8不插或者PIN 4不插都是OK的;
- 針對TBI-106-02051.153料號時, 要求 PIN5不插因為產品無防呆機構,以塑膠PIN1標示數PIN時, 生產出的產品PIN5不插或者PIN 1不插都是OK的;
- 針對TBI-106-02051.163料號時, 要求 PIN5, pin8不插因為產品無防呆機構,以塑膠PIN1標示數PIN時, 生產出的產品PIN5, pin8不插或者PIN 1, pin4不插都是OK的; 同時沒有插PIN的PIN孔中會有去毛邊時的尼龍珠存在可接受;

DWG NO. EPC10-8P-GW-2.5-0E-1

PART NO.	MATERIAL (BOBBIN)	MATERIAL (TERMINAL)	TERMINAL (PLATING)	PIN ALLOCATION	NOTE
TBI-106-02051.103	PM-9630	PB	Sn	(A)=10.96±0.15 (B)=0.5REF (W)=1.53REF	S.C
TBI-106-02051.113	PM-9630	PB	Sn	(A)=11.55±0.15 (B)=0.8REF (W)=1.83REF	H.C
TBI-106-02051.123	PM-9630	PB	Sn	NO PIN	
TBI-106-02051.133	PM-9630	PB	Sn	(A)=10.56±0.12 (B)=0.3REF (W)=1.33REF	071-BEPC-10-03-1
TBI-106-02051.143	PM-9630	PB	Sn	NO PIN # 8 (A)=10.56±0.12 (B)=0.3REF (W)=1.33REF	
TBI-106-02051.153	PM-9630	PB	Sn	NO PIN # 5 (A)=10.56±0.12 B=0.3REF W=1.33REF	
TBI-106-02051.163	PM-9630	PB	Sn	NO PIN # 5,8 (A)=10.56±0.12 B=0.3REF W=1.33REF	

TOLERANCE: .X±0.15 .XX±0.10 .XXX±0.05 UNIT : m/m SCALE 4 : 1

Finish: 1. Pb wire Immersion Sn on terminal : Thickness:Sn plating,100%,5 μm (200 μ inches) min,Base nickel 0.625 μm (25 μ inches) min.
2. CP wire Immersion Sn on terminal : Thickness:Sn plating,100%,5 μm (200 μ inches) min.
3. Coplanarity deviation: 0.10 mm (0.004 inches) max.

REV 4