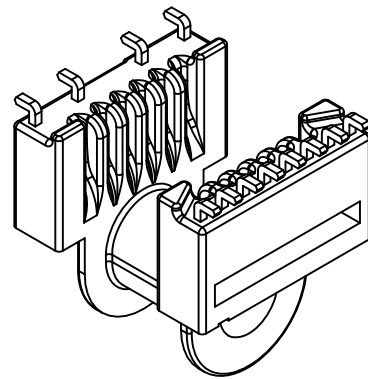
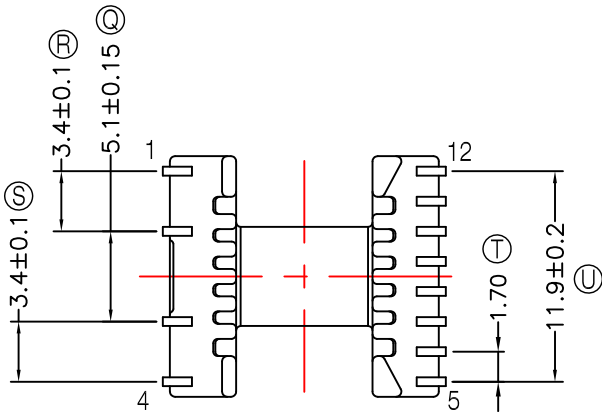
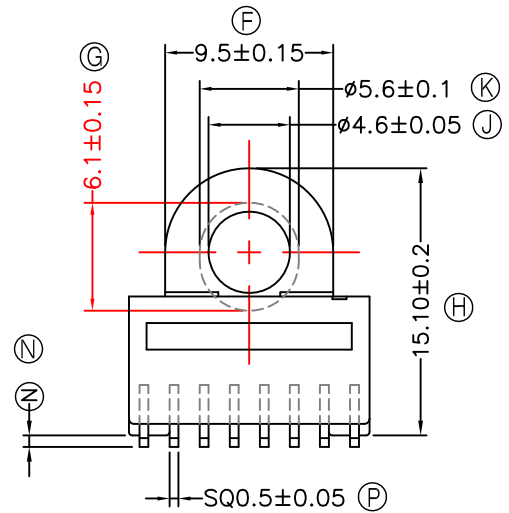
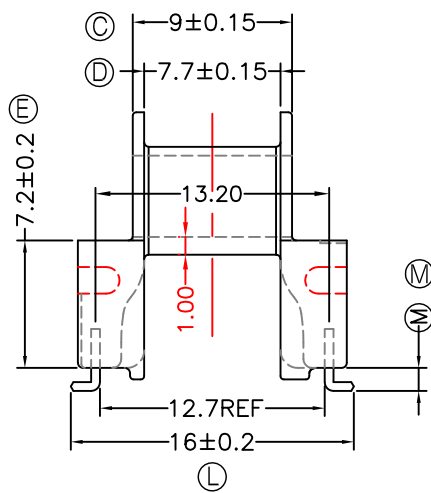
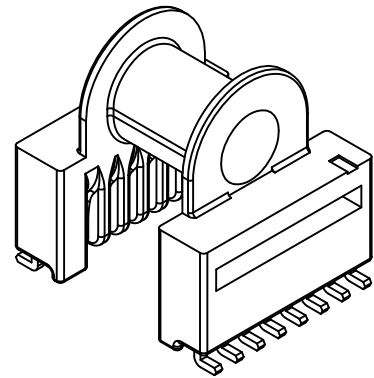
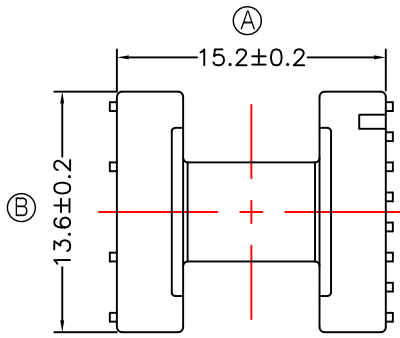




TRANSFORMER BOBBIN  
INDUSTRIAL CO.,LTD.

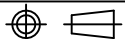
Tel : 86-769-88789999 Fax : 86-769-88789989  
http:// tbi-tw.com e-mail : tb6688@ms46.hinet.net

REVISIONS				
REV	SYM	DRAFTER	CHECKER	DATE
1		X.H.GU	G.F.YANG	08/30/17
2				
3				



拉力: 1.0 Kg MIN

DWG NO.	EP13-12P-L-1.7-H1-11				
PART NO.	MATERIAL (BOBBIN)	MATERIAL (TERMINAL)	TERMINAL (PLATING)	PIN ALLOCATION	NOTE
TBI-103-03811.1103	PM-9630	P.B	Sn	ALL PIN (M)=1.3±0.15 (N)=0.3Min	
TBI-103-03811.1113	PM-9630	P.B	Sn	CUT PIN#6,11 (M)=1.3±0.15 (N)=0.3Min	
TBI-103-03811.1123	PM-9630	P.B	Sn	ALL PIN (M)=2.0±0.15 (N)=1.0Min	
TBI-103-03811.1133	PM-9630	P.B	Sn	CUT PIN#6,11 (M)=2.0±0.15 (N)=1.0Min	



TOLERANCE: 0<L<=4:±0.1 4<L<=16:±0.2 16<L<=63:±0.3

UNIT : m / m

SCALE 1 : 1

Finish: 1. PB wire Immersion Sn on terminal : Thickness:Sn plating,100%,5 μ m (200 μ inches) min,Base nickel 0.625 μ m (25 μ inches) min.  
2. CP wire Immersion Sn on terminal : Thickness:Sn plating,100%,5 μ m (200 μ inches) min.  
3. Coplanarity deviation: 0.10 mm (0.004 inches) max.

REV	1
-----	---