

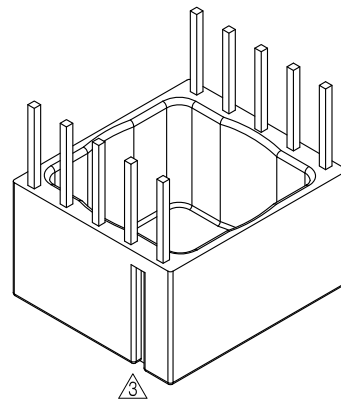
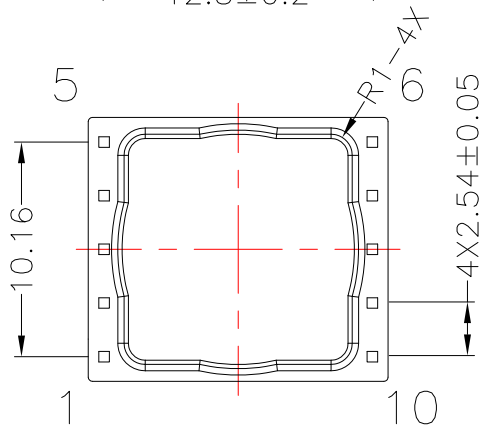
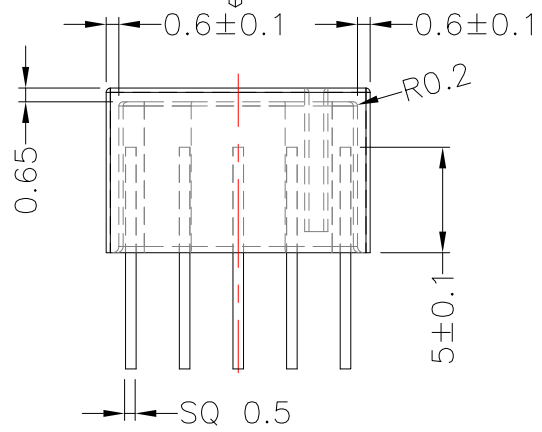
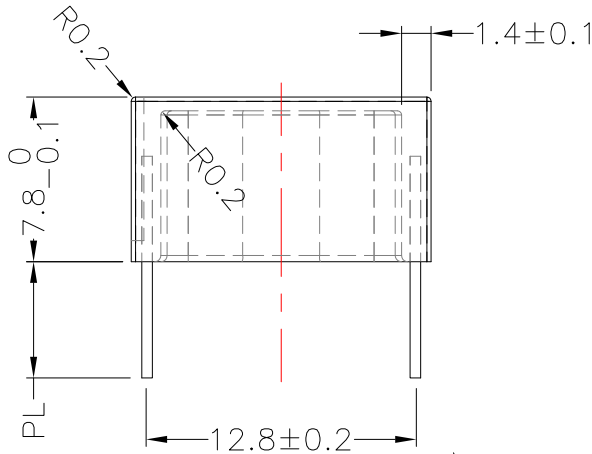
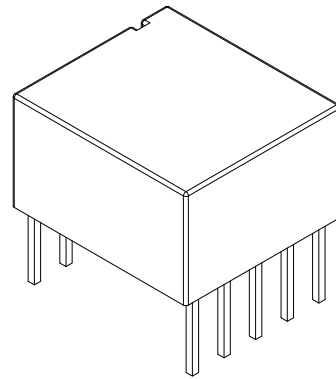
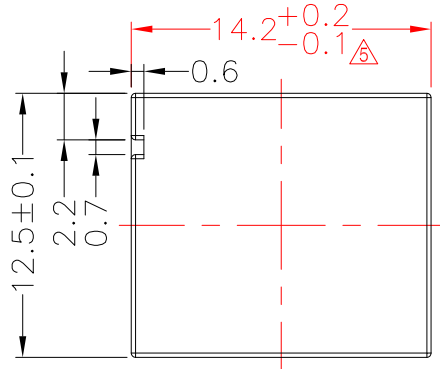


**TRANSFORMER BOBBIN
INDUSTRIAL CO.,LTD.**

Tel : 86-769-88789999 Fax : 86-769-88789989
http:// tbi-tw.com e-mail : tb6688@ms46.hinet.net

REVISIONS

REV	SYM	DRAFTER	CHECKER	DATE
③		S.Y.TANG	S.M.SHIH	10/13/06
④		S.Y.TANG	S.M.SHIH	04/02/07
⑤		X.X.YUAN	G.F.YANG	09/19/14



DWG NO. 54GTR20-10P-TH-2.54-D-1

PART NO.	MATERIAL (BOBBIN)	MATERIAL (TERMINAL)	TERMINAL (PLATING)	PIN ALLOCATION	NOTE
TBI-218-12011.103	PM-9630	PB	Sn	插1,5,6,10 PL=5.5±0.2	
TBI-218-12011.113	PM-9630	PB	Sn	插1,3,5,6,8,10 PL=5.5±0.2	
TBI-218-12011.123	PM-9630	PB	Sn	插1,2,4,5,6,7,10 PL=5.5±0.2	54GTR20SC
TBI-218-12011.133	PM-9630	PB	Sn	插1,3,4,5,6,8,10 PL=5.5±0.2	
TBI-218-12011.143	PM-9630	PB	Sn	插1,2,4,5,6,7,9,10 PL=5.5±0.2	
TBI-218-12011.153	PM-9630	PB	Sn	插1,2,4,5,6,8,10 PL=5.5±0.2	
TBI-218-12011.163	PM-9630	PB	Sn	插1,2,3,4,5,6,7,8,9,10 PL=5.5±0.2	54GTR20SG
TBI-218-12011.173	PM-9630	PB	Sn	插1,3,5,6,7,9,10 PL=5.5±0.2	
TBI-218-12011.183	PM-9630	PB	Sn	插1,2,3,4,5,6,7,8,9,10 PL=3.5±0.2	
TBI-218-12011.193	PM-9630	PB	Sn	插1,2,3,4,5,6,7,8,9,10 PL=3.7±0.2	
TBI-218-12011.1A3	PM-9630	PB	Sn	CUT PIN#2,9 PL=3.5±0.2	
TBI-218-12011.1B3	PM-9630	PB	Sn	CUT PIN#8 PL=3.5±0.2	

TOLERANCE : .X ±0.15 .XX ±0.10 .XXX ±0.05 UNIT : m / m SCALE 3 : 1

Finish: 1. PB wire Immersion Sn on terminal : Thickness:Sn plating,100,5 μm (200 μ inches) min,Base nickel 0.625 μm (25 μ inches) min.
2. CP wire Immersion Sn on terminal : Thickness:Sn plating,100,5 μm (200 μ inches) min.
3. Coplanarity deviation: 0.10 mm (0.004 inches) max.

REV 5