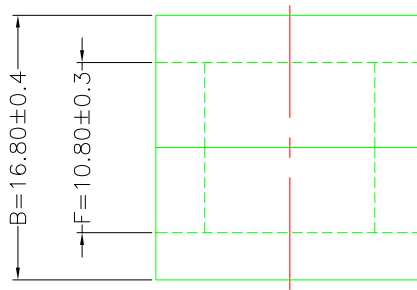
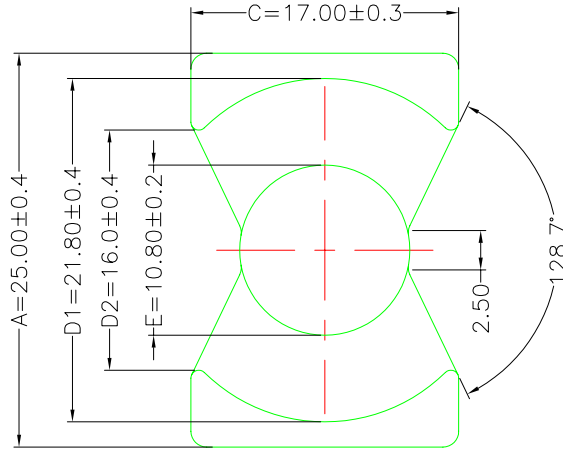


A-CORE
ELECTRICAL CO.

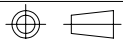
A-CORE JIANGMEN ELECTRONICS CO.,LTD
 江门安磁电子有限公司
 Tel: 86-750-3867791 Fax : 86-750-3867787

REVISIONS

REV	SYM	DRAFTER	CHECKER	DATE
①		X.H.GU	G.F.YANG	12/14/17
②				
③				



DWG NO.	LQ25/16.8 CORE				
PART NO.	MATERIAL (BOBBIN)	MATERIAL (TERMINAL)	TERMINAL (PLATING)	PIN ALLOCATION	NOTE
LQ25/16.8	JPP-44A				
LQ25/16.8	JPP-95				



Finish:

UNIT : m/m

SCALE 1 : 1

REV 1

A-CORE

A-CORE JIANGMEN ELECTRONICS CO.,LTD
江門安磁電子有限公司

TBI

TRANSFORMER BOBBIN
INDUSTRIAL CO.,LTD.

ELECTRICAL CO. Tel : 86-750-3867791 Fax : 86-750-3867787

Tel : 86-769-88789999 Fax : 86-769-88789989

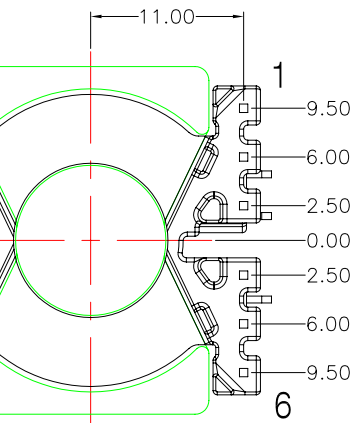
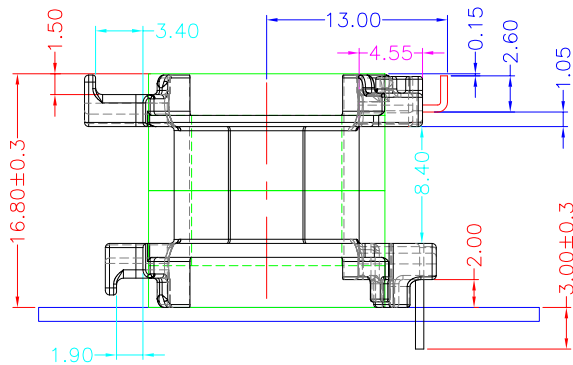
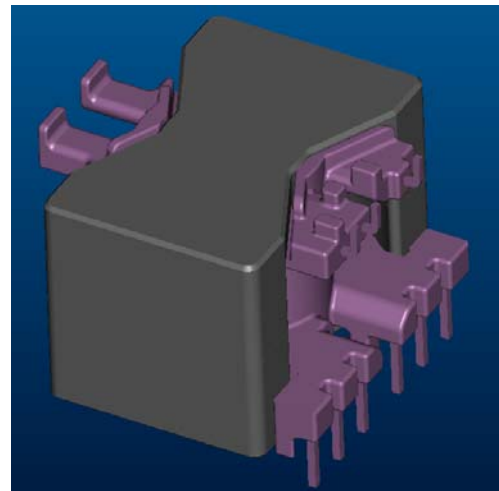
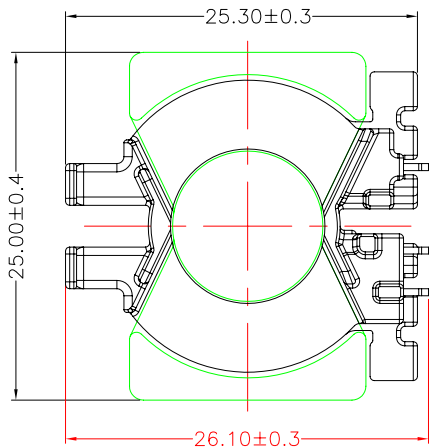
e-mail : sales@acore-ferrite.com

http:// tbi-tw.com e-mail : tb6688@ms46.hinet.net

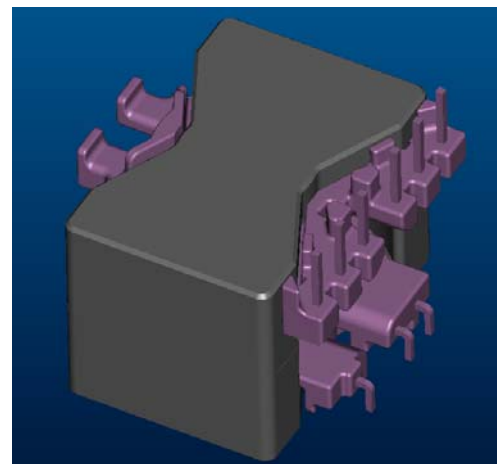
REVISIONS

REV	SYM	DRAFTER	CHECKER	DATE
△2		X.H.GU	G.F.YANG	03/06/18
△3		X.H.GU	G.F.YANG	03/29/18
△4		X.H.GU	G.F.YANG	04/23/18

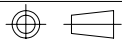
TOP



BOTTOM



ITEM	PART NO.	MATERIAL	DWG NO.	Core Set Parameters
CORE	LQ25/16.8	JPP-44A		
CORE	LQ25/16.8	JPP-95		
BOBBIN	TBI-247-02031.17XX		LQ25-16.8-9P-TH-C-17	



UNIT : m / m

SCALE 1 : 1

REV 4