

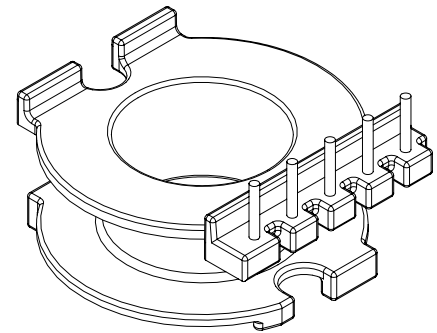
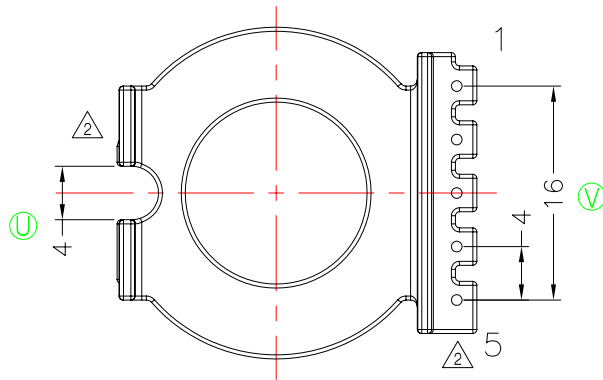
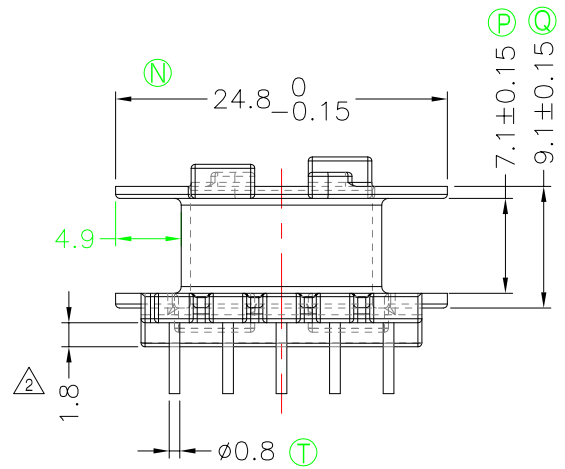
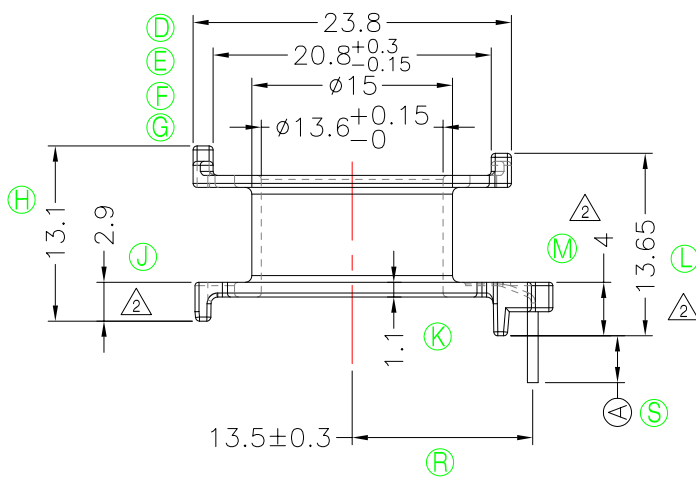
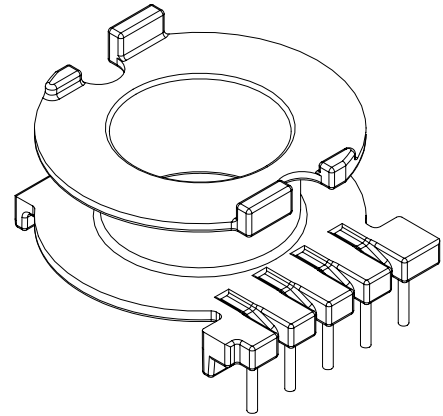
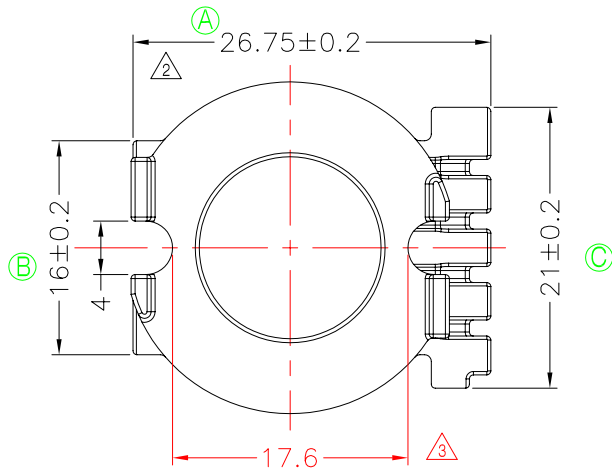


**TRANSFORMER BOBBIN
INDUSTRIAL CO.,LTD.**

Tel : 86-769-88789999 Fax : 86-769-88789999
http:// tbi-tw.com e-mail : tb6688@ms46.hinet.net

REVISIONS

REV	SYM	DRAFTER	CHECKER	DATE
△1		X.H.GU	G.F.YANG	10/13/09
△2		X.H.GU	G.F.YANG	12/30/09
△3		X.H.GU	G.F.YANG	01/21/10



NOTE:
WINDING SPACE: 7.1mm*4.9mm=34.79mm²

DWG NO. CC30-15.3-5P-TH-F-12

PART NO.	MATERIAL (BOBBIN)	MATERIAL (TERMINAL)	TERMINAL (PLATING)	PIN ALLOCATION	NOTE
TBI-239-02061.1206	PM-9820	CP WIRE	Sn	ALL PIN (A)=3.5±0.2	S
TBI-239-02061.1216	PM-9820	CP WIRE	Sn	CUT PIN #3 (A)=3.5±0.2	H
TBI-239-02061.1226	PM-9820	CP WIRE	Sn	ALL PIN (A)=4.5±0.2	
TBI-239-02061.1236	PM-9820	CP WIRE	Sn	CUT PIN#2 (A)=4.5±0.2	
TBI-239-02061.1246	PM-9820	CP WIRE	Sn	ALL PIN (A)=3.0±0.2	刀模制二B

TOLERANCE: 0<L<=4: ±0.1 4<L<=16: ±0.2 16<L<=63: ±0.3

UNIT : m / m

SCALE 1 : 1

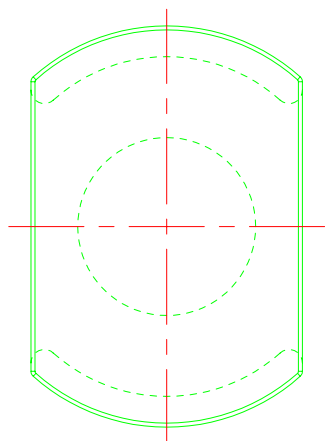
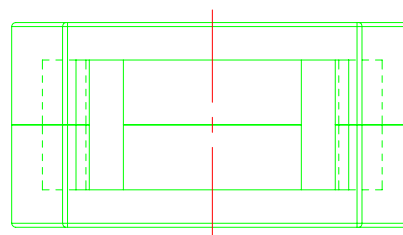
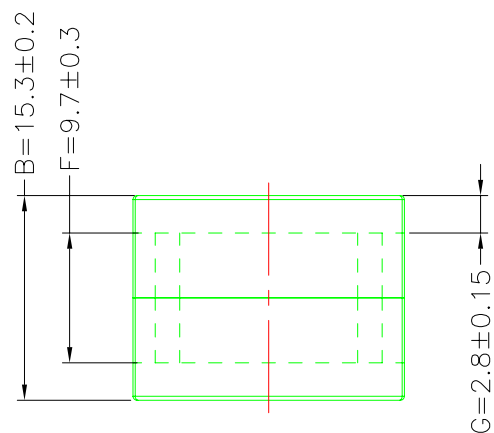
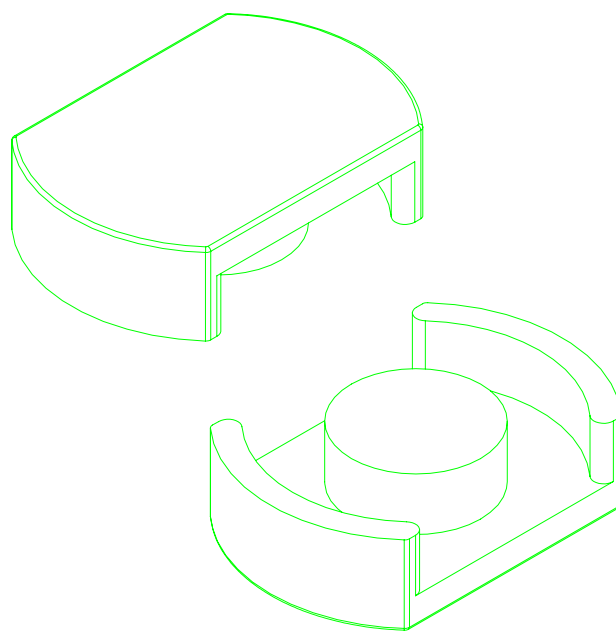
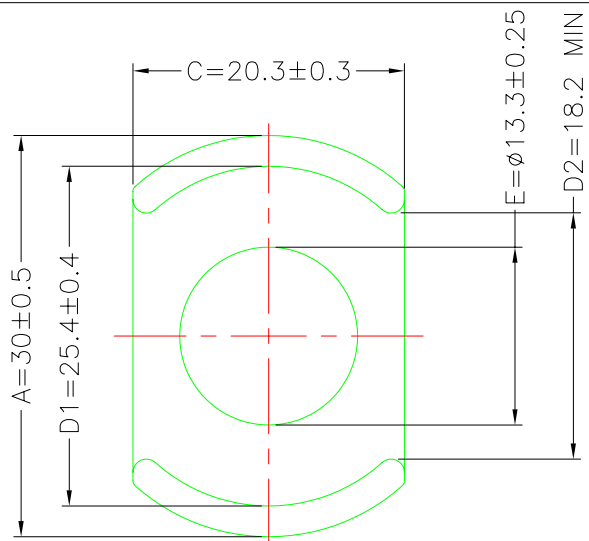
Finish: 1. PB wire Immersion Sn on terminal : Thickness:Sn plating,100,5 μm (200 μ inches) min,Base nickel 0.625 μm (25 μ inches) min.
2. CP wire Immersion Sn on terminal : Thickness:Sn plating,100,5 μm (200 μ inches) min.
3. Coplanarity deviation: 0.10 mm (0.004 inches) max.

REV 3

A-CORE
ELECTRICAL CO.

A-CORE JIANGMEN ELECTRONICS CO.,LTD
 江门安磁电子有限公司
 Tel: 86-750-3867791 Fax : 86-750-3867787

REVISIONS				
REV	SYM	DRAFTER	CHECKER	DATE
①		X.H.GU	G.F.YANG	10/09/09
②				
③				



Core Set Parameters

$C1=0.332\text{mm}^{-1}$
 $Le=38.8\text{mm}$
 $Ae=117\text{mm}^2$
 $Ve=4539.6\text{mm}^3$

DWG NO.	CC30/15.3-CORE				
PART NO.	MATERIAL (BOBBIN)	MATERIAL (TERMINAL)	TERMINAL (PLATING)	PIN ALLOCATION	NOTE
CC30/15.3	JPP-44A				
CC30/15.3	JPP-95				

Finish:	TOLERANCE: $0 < L \leq 4: \pm 0.1$ $4 < L \leq 16: \pm 0.2$ $16 < L \leq 63: \pm 0.3$	UNIT : m / m	SCALE 1 : 1	
			REV	1

A-CORE

A-CORE JIANGMEN ELECTRONICS CO.,LTD
江門安磁電子有限公司

TBI

TRANSFORMER BOBBIN
INDUSTRIAL CO.,LTD.

ELECTRICAL CO. Tel : 86-750-3867791 Fax : 86-750-3867787

Tel : 86-769-88789999 Fax : 86-769-88789989

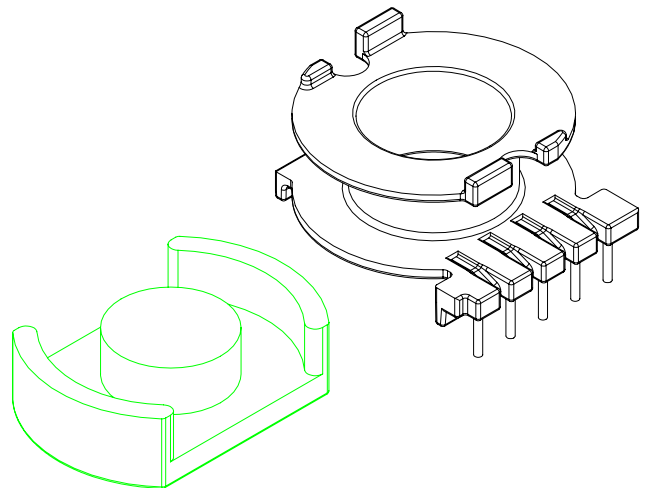
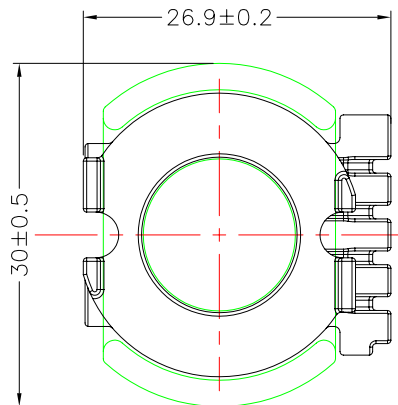
e-mail : sales@acore-ferrite.com

http://tbi-tw.com e-mail : tb6688@ms46.hinet.net

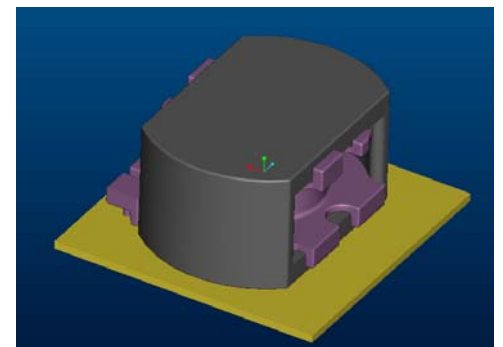
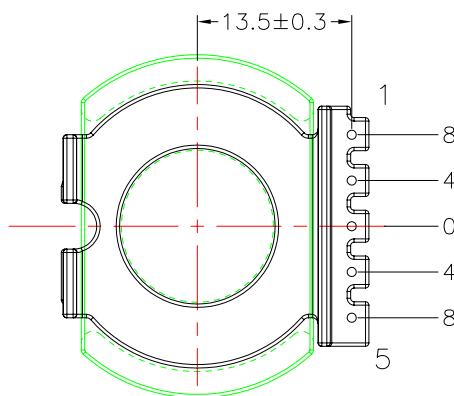
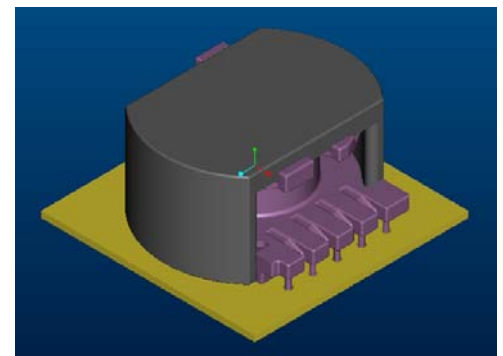
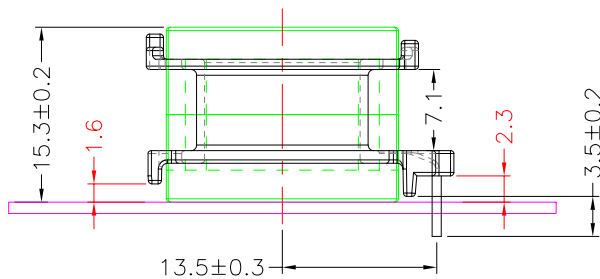
REVISIONS

REV	SYM	DRAFTER	CHECKER	DATE
△1		X.H.GU	G.F.YANG	10/13/09
△2		X.H.GU	G.F.YANG	12/30/09
△3		X.H.GU	G.F.YANG	01/21/10

TOP

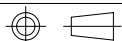


TOP



BOTTOM

ITEM	PART NO.	MATERIAL	DWG NO.	Core Set Parameters
CORE	CC30/15.3	JPP-44A		$C1=0.332\text{mm}^{-1}$ $Le=38.8\text{mm}$ $Ae=117\text{mm}^2$ $Ve=4539.6\text{mm}^3$
CORE	CC30/15.3	JPP-95		
BOBBIN	TBI-239-02061.12XX		CC30-15.3-5P-TH-F-12	



UNIT : m/m

SCALE 1 : 1

REV 3