

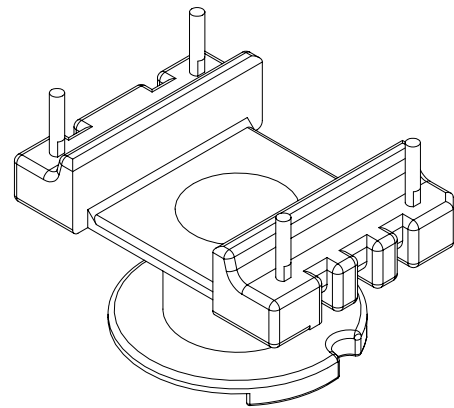
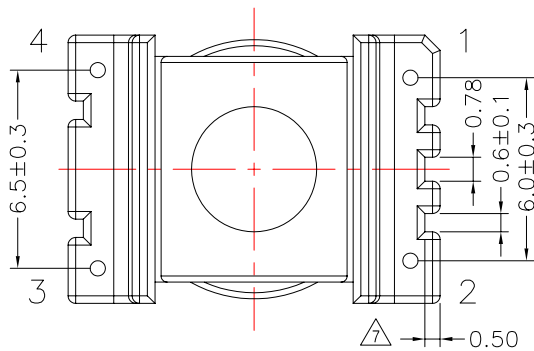
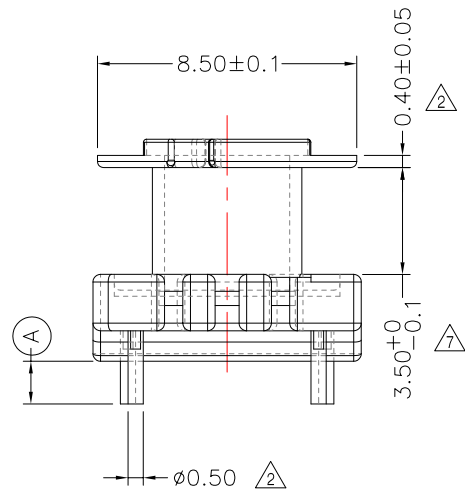
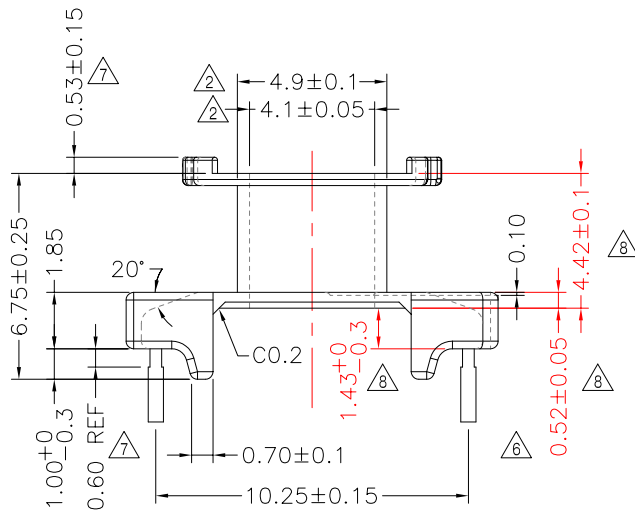
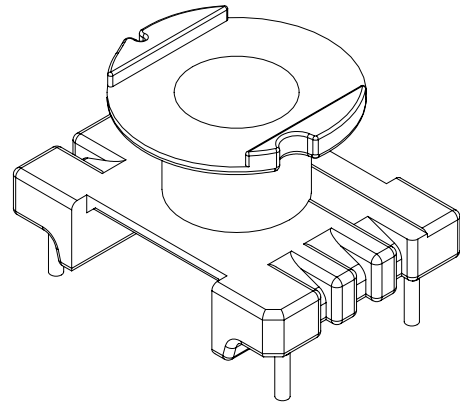
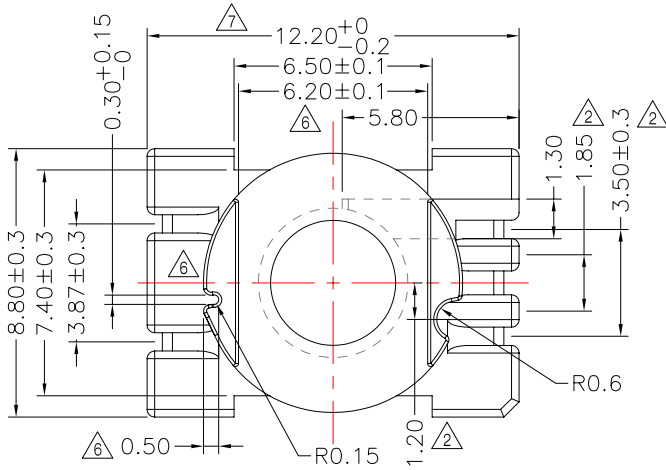


**TRANSFORMER BOBBIN
INDUSTRIAL CO.,LTD.**

Tel : 86-769-88789999 Fax : 86-769-88789999
http:// tbi-tw.com e-mail : tb6688@ms46.hinet.net

REVISIONS

REV	SYM	DRAFTER	CHECKER	DATE
△6		S.Y.TANG	G.F.YANG	07/02/08
△7		S.Y.TANG	G.F.YANG	08/19/08
△8		S.Y.TANG	G.F.YANG	03/12/09



PIN PULLOUT FORCE: 0.8KG MIN

DWG NO. ER10.8-4P-TH-A-12

PART NO.	MATERIAL (BOBBIN)	MATERIAL (TERMINAL)	TERMINAL (PLATING)	PIN ALLOCATION	NOTE
TBI-204-04011.1206	PM-9820 △2	C.P WIRE △3	Sn	ALL PIN (A)=1.4±0.2	
△8 TBI-204-04011.1216	PM-9820	C.P WIRE	Sn	ALL PIN (A)=2.5±0.2	
△8 TBI-204-04011.1226	PM-9820	C.P WIRE	Sn	ALL PIN (A)=3.5±0.2	

TOLERANCE: 0<L<=10 ±0.1 10<L<=30 ±0.15 30<L<=100 ±0.2 Angle: ±1°

UNIT : m / m

SCALE 4 : 1

Finish: 1. Pb wire Immersion Sn on terminal : Thickness:Sn plating,100,5 μm (200 μ inches) min,Base nickel 0.625 μm (25 μ inches) min.
2. CP wire Immersion Sn on terminal : Thickness:Sn plating,100,5 μm (200 μ inches) min.
3. Coplanarity deviation: 0.10 mm (0.004 inches) max.

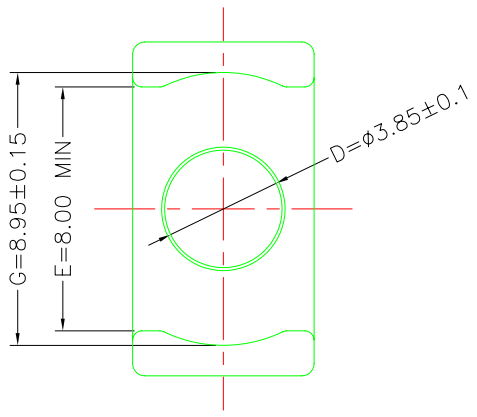
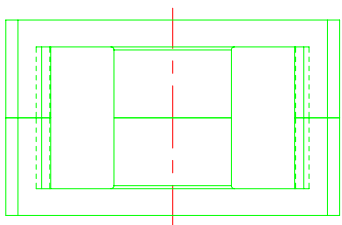
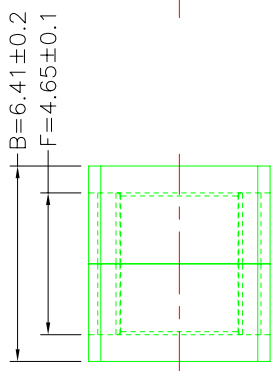
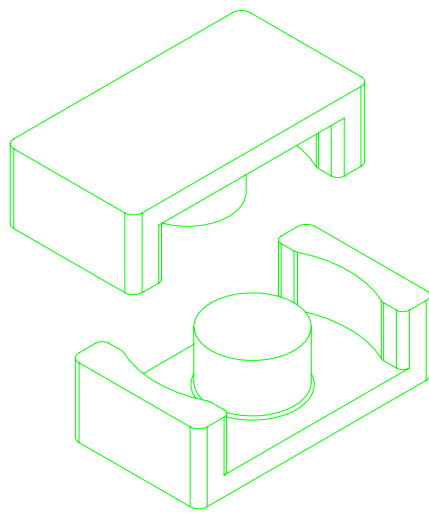
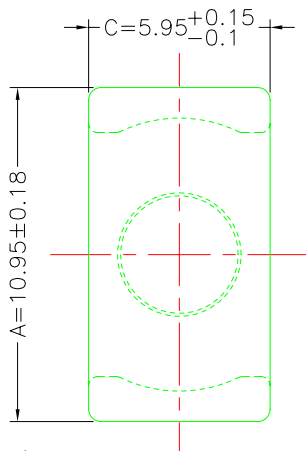
REV 8

A-CORE

ELECTRICAL CO.

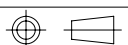
A-CORE JIANGMEN ELECTRONICS CO.,LTD
 江门安磁电子有限公司
 Tel: 86-750-3867791 Fax : 86-750-3867787

REVISIONS				
REV	SYM	DRAFTER	CHECKER	DATE
△6		S.Y.TANG	G.F.YANG	07/02/08
△7		S.Y.TANG	G.F.YANG	08/19/08
△8		S.Y.TANG	G.F.YANG	03/12/09



Core Set Parameters
 $A_e = 11.79 \text{mm}^2$
 $L_e = 17.2 \text{mm}$
 $C_1 = / \text{mm}^{-1}$
 $V_e = 202.788 \text{mm}^3$

DWG NO.	ER10.8 CORE				
PART NO.	MATERIAL (BOBBIN)	MATERIAL (TERMINAL)	TERMINAL (PLATING)	PIN ALLOCATION	NOTE
ER10.8 CORE	JPP-44A				
ER10.8 CORE	JPP-95				



UNIT : m/m SCALE 4 : 1

Finish:

REV 8

A-COREA-CORE JIANGMEN ELECTRONICS CO.,LTD
江門安磁電子有限公司

ELECTRICAL CO. Tel : 86-750-3867791 Fax : 86-750-3867787

e-mail : sales@acore-ferrite.com

TBITRANSFORMER BOBBIN
INDUSTRIAL CO.,LTD.

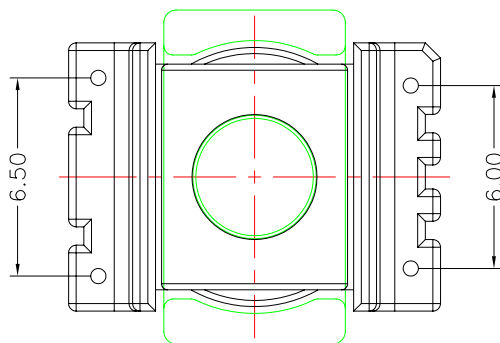
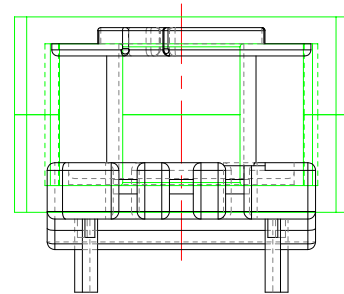
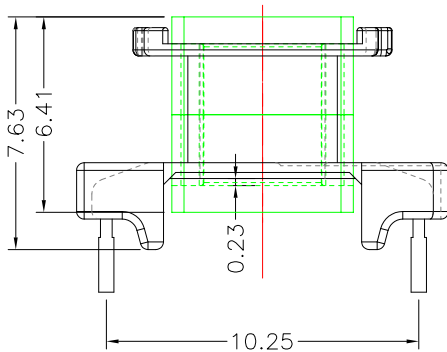
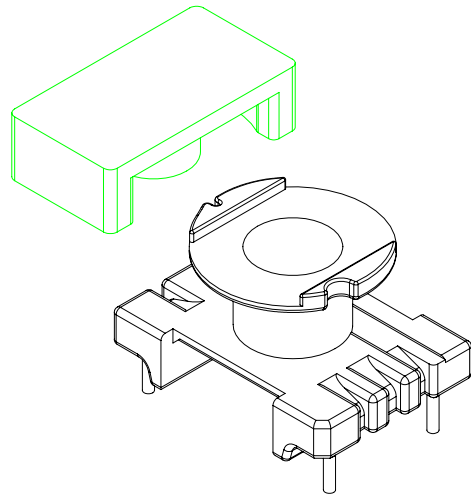
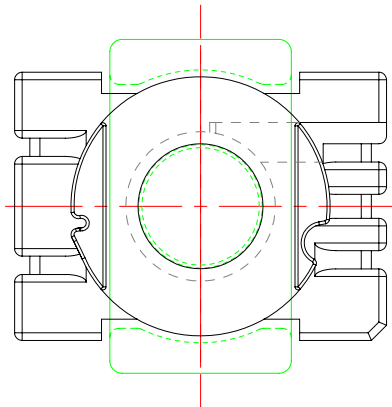
Tel : 86-769-88789999 Fax : 86-769-88789989

http:// tbi-tw.com e-mail : tb6688@ms46.hinet.net

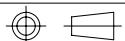
REVISIONS

REV	SYM	DRAFTER	CHECKER	DATE
△6		S.Y.TANG	G.F.YANG	07/02/08
△7		S.Y.TANG	G.F.YANG	08/19/08
△8		S.Y.TANG	G.F.YANG	03/12/09

TOP



ITEM	PART NO.	MATERIAL	DWG NO.	Core Set Parameters
CORE	ER10.8	JPP-44A		$A_e=11.79\text{mm}^2$ $L_e=17.2\text{mm}$ $C_1=/\text{mm}^{-1}$ $V_e=202.788\text{mm}^3$
CORE	ER10.8	JPP-95		
BOBBIN	TBI-204-04011.12XX		ER10.8-4P-TH-A-12	



UNIT : m/m

SCALE 1:1

REV

8