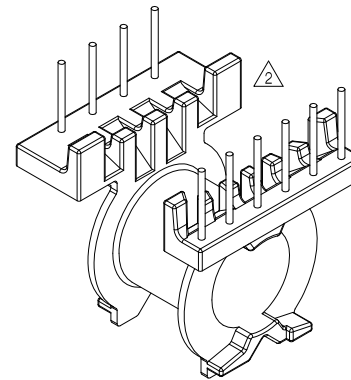
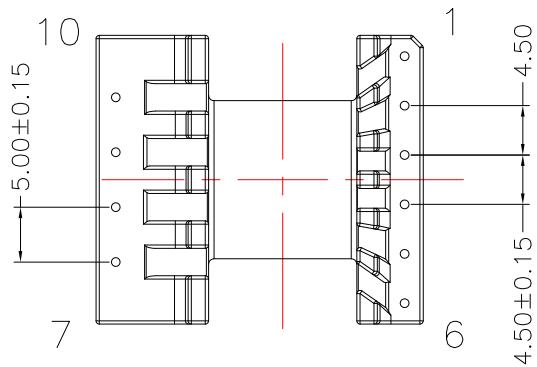
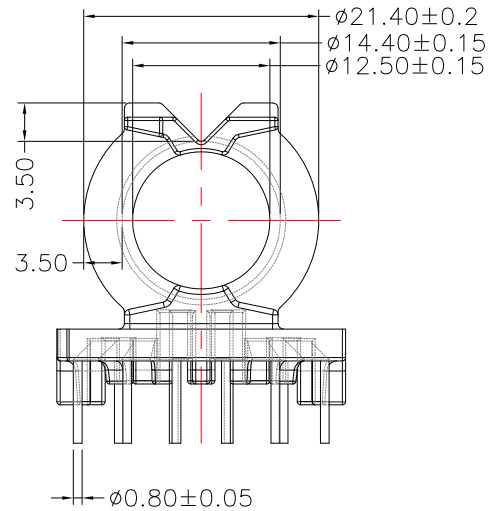
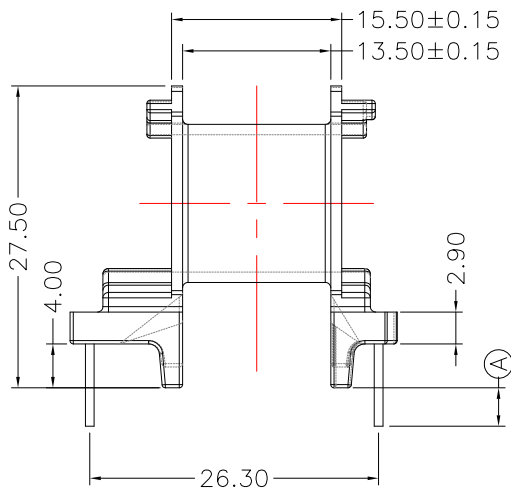
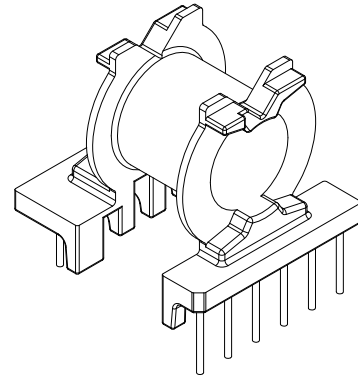
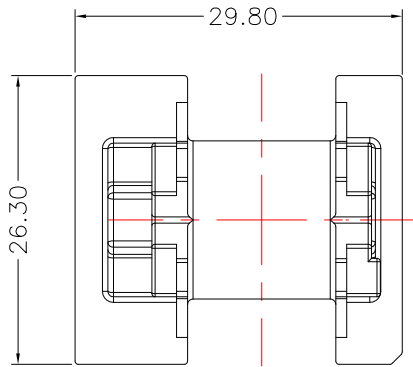




TRANSFORMER BOBBIN
INDUSTRIAL CO.,LTD.

Tel : 86-769-88789999 Fax : 86-769-88789989
http:// tbi-tw.com e-mail : tb6688@ms46.hinet.net

REVISIONS				
REV	SYM	DRAFTER	CHECKER	DATE
①		X.X.YUAN	G.F.YANG	05/24/16
②				
③				



DWG NO.	PQ2625-10P-TH-G-17			PIN ALLOCATION	NOTE
PART NO.	MATERIAL (BOBBIN)	MATERIAL (TERMINAL)	TERMINAL (PLATING)		
TBI-216-04071.1706	PM-9823	CP WIRE	Sn	ALL PIN ① = 5.0±0.2	S.C
TBI-216-04071.1716	PM-9823	CP WIRE	Sn	CUT PIN #2,3,9 ① = 5.0±0.2	H.C
TBI-216-04071.1726	PM-9823	CP WIRE	Sn	CUT PIN #2,3,9 ① = 4.5±0.2	
TBI-216-04071.1736	PM-9823	CP WIRE	Sn	CUT PIN #6,7,8 ① = 3.5±0.2	
TBI-216-04071.1746	PM-9823	CP WIRE	Sn	CUT PIN #2 ① = 3.5±0.2	
TBI-216-04071.1756	PM-9823	CP WIRE	Sn	CUT PIN #4 ① = 3.5±0.2	
TBI-216-04071.1766	PM-9823	CP WIRE	Sn	CUT PIN #5 ① = 3.5±0.2	52GPQ262500K
TBI-216-04071.1776	PM-9823	CP WIRE	Sn	ALL PIN ① = 3.5±0.2	52GPQ262500S
	TOLERANCE: 0<L<=4:±0.1 4<L<=16:±0.2 16<L<=63:±0.3			UNIT : m / m	SCALE 1 : 1

Finish: 1. PB wire Immersion Sn on terminal : Thickness:Sn plating,100%,5 μ m (200 μ inches) min,Base nickel 0.625 μ m (25 μ inches) min.
2. CP wire Immersion Sn on terminal : Thickness:Sn plating,100%,5 μ m (200 μ inches) min.
3. Coplanarity deviation: 0.10 mm (0.004 inches) max.

REV 1