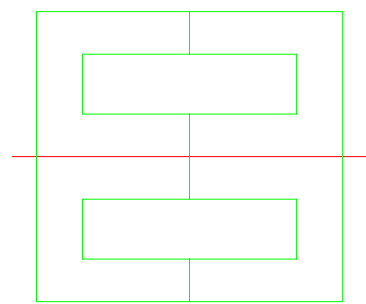
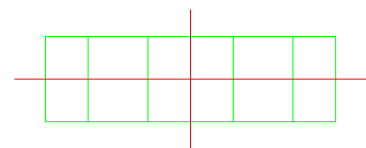
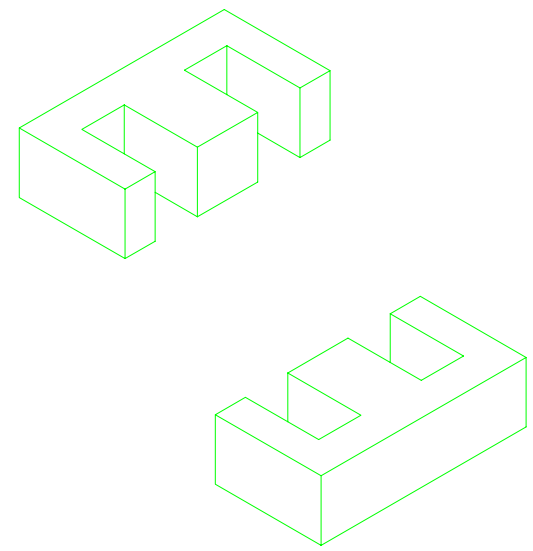
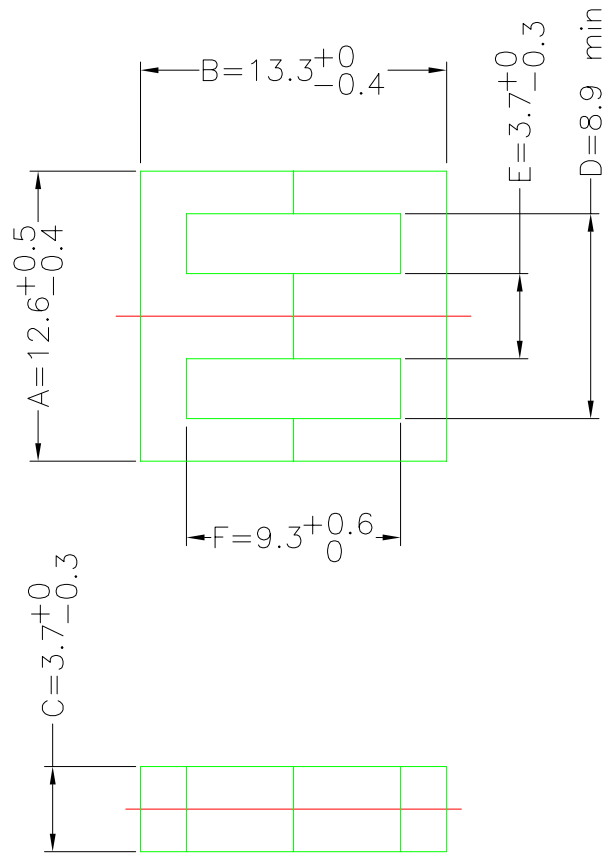


A-CORE
ELECTRICAL CO.

A-CORE JIANGMEN ELECTRONICS CO.,LTD
 江门安磁电子有限公司
 Tel: 86-750-3867791 Fax : 86-750-3867787

REVISIONS				
REV	SYM	DRAFTER	CHECKER	DATE
①		X.H.GU	G.F.YANG	04/17/13
②				
③				



Core Set Parameters

$A_e = 12.4 \text{mm}^2$
 $L_e = 30.3 \text{mm}$
 $C_1 = 2.44 \text{mm}^{-1}$
 $V_e = 375.72 \text{mm}^3$

DWG NO.	EF12.6/13.3A-CORE				
PART NO.	MATERIAL (BOBBIN)	MATERIAL (TERMINAL)	TERMINAL (PLATING)	PIN ALLOCATION	NOTE
EF12.6/13.3A	JPP-44A				
EF12.6/13.3A	JPP-95				
Finish:	TOLERANCE: 0<L<=4:±0.1 4<L<=16:±0.2 16<L<=63:±0.3			UNIT : m/m	SCALE 1:1
				REV	1

A-CORE

A-CORE JIANGMEN ELECTRONICS CO.,LTD
 江門安磁電子有限公司

TBI

TRANSFORMER BOBBIN
 INDUSTRIAL CO.,LTD.

ELECTRICAL CO. Tel : 86-750-3867791 Fax : 86-750-3867787

Tel : 86-769-88789999 Fax : 86-769-88789989

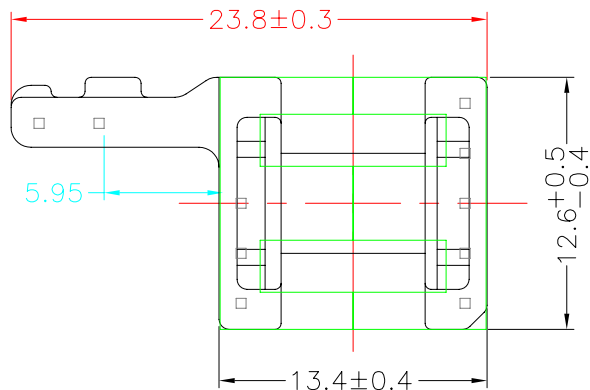
e-mail : sales@acore-ferrite.com

http:// tbi-tw.com e-mail : tb6688@ms46.hinet.net

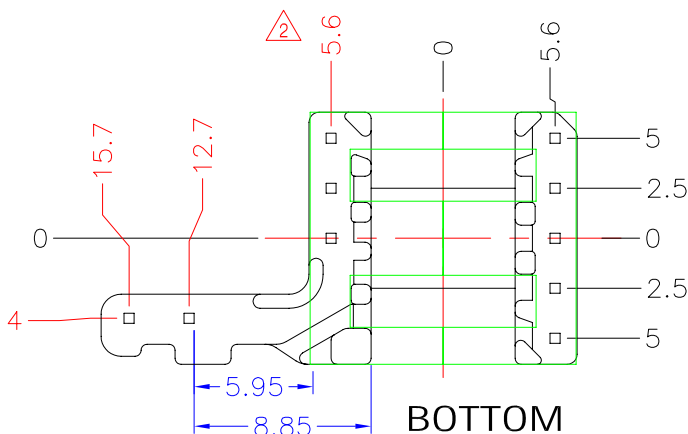
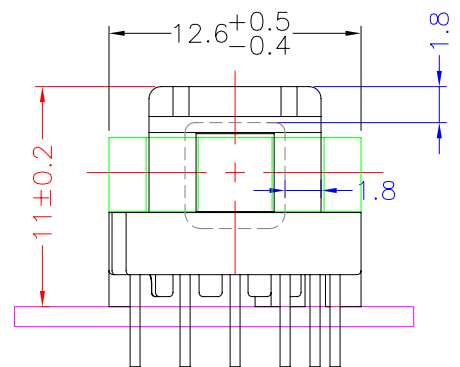
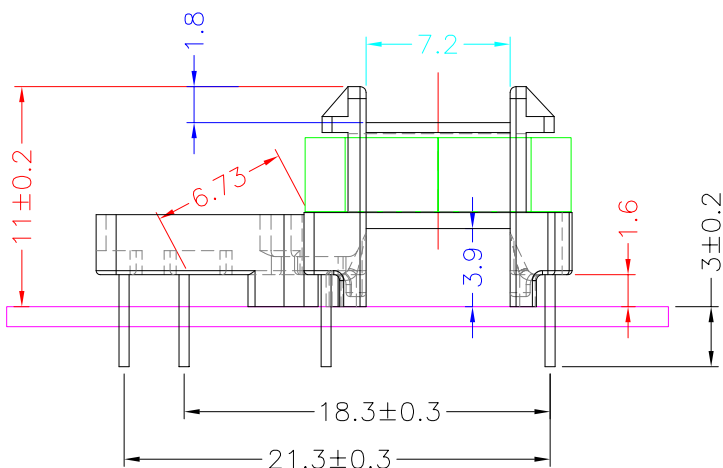
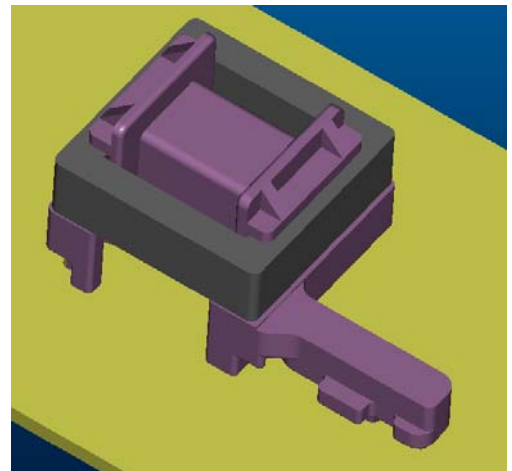
REVISIONS

REV	SYM	DRAFTER	CHECKER	DATE
1		G.F.YANG	W.H.HSU	02/27/15
2				
3				

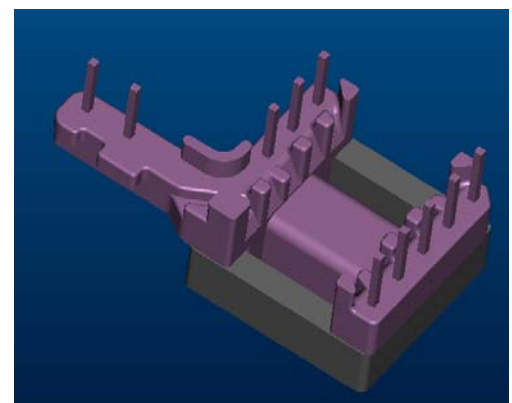
TOP



TOP



BOTTOM



BOTTOM

ITEM	PART NO.	MATERIAL	DWG NO.	Core Set Parameters
CORE	EF12.6/13.3A	JPP-44A		Ae=12.4mm ² Le=30.3mm C1=2.44mm ⁻¹ Ve=375.72mm ³
CORE	EF12.6/13.3A	JPP-95		
BOBBIN	TBI-205-01151.11XX		EF12.6-10P-TH-A5-11	
				UNIT : m/m
				SCALE 1:1

REV 1