

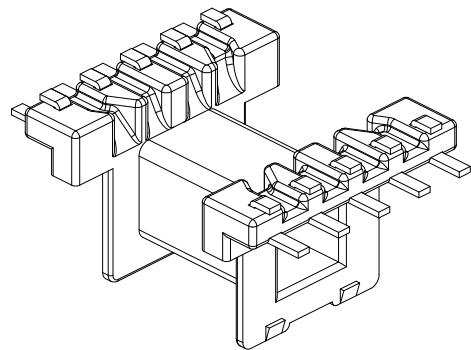
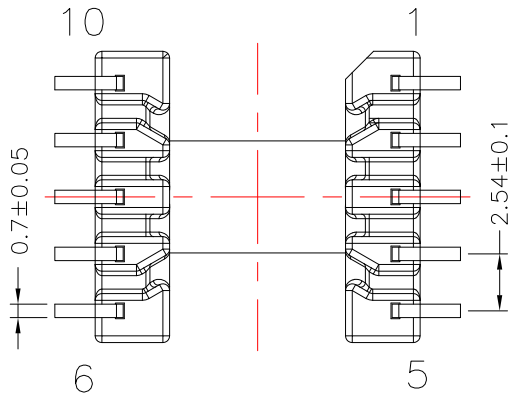
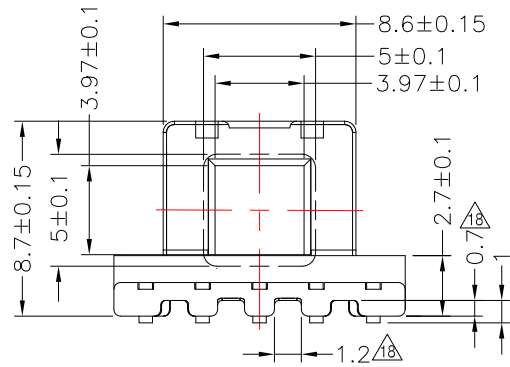
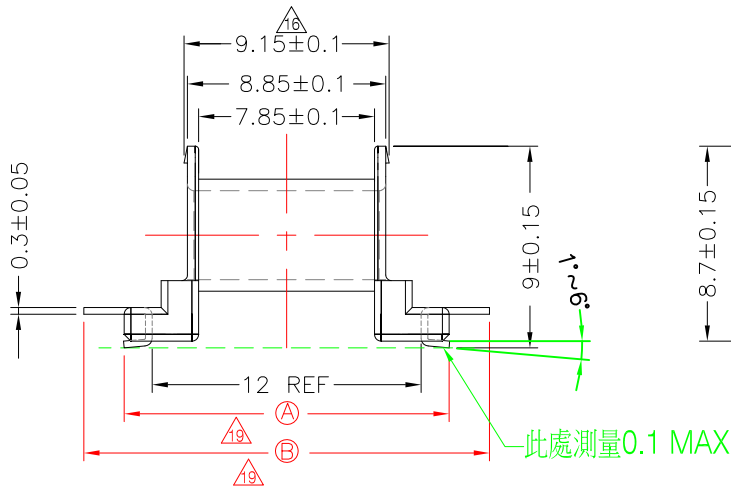
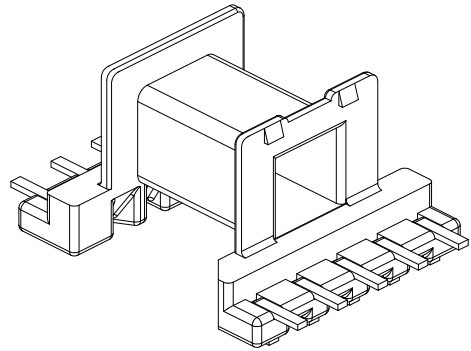
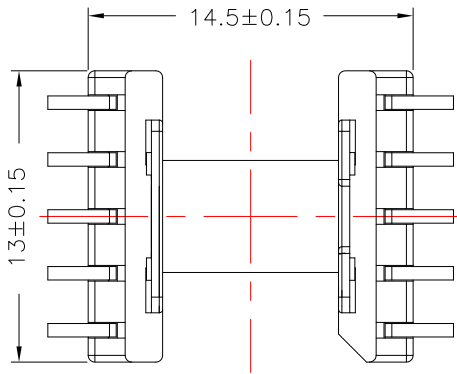


TRANSFORMER BOBBIN INDUSTRIAL CO.,LTD.

Tel : 86-769-88789999 Fax : 86-769-88789989
 http:// tbi-tw.com e-mail : tb6688@ms46.hinet.net

REVISIONS

REV	SYM	DRAFTER	CHECKER	DATE
△7		S.Y.TANG	S.M.SHIH	11/23/06
△8		Y.G.HSU	W.H.HSU	02/14/07
△9		X.H.GU	G.F.YANG	08/28/13



DWG NO. EF12.6-10P-J-2.54-C-1

PART NO.	MATERIAL (BOBBIN)	MATERIAL (TERMINAL)	TERMINAL (PLATING)	PIN ALLOCATION	NOTE
TBI-105-01031.103	PM-9630	P.B	Sn	ALL PIN (A)=14.5+0.3/-0.2 (B)=18.1±0.3	
TBI-105-01031.113	PM-9630	P.B	Sn	PIN CUT:2,3,4,7,8,9 (A)=23±0.3 (B)=18±0.3	H
TBI-105-01031.123	PM-9630	P.B	Sn	ALL PIN (A)=21±0.3 (B)=20±0.3	
TBI-105-01031.133	PM-9630	P.B	Sn	ALL PIN (A)=16.5±0.3 (B)=18.1±0.3	
TBI-105-01031.143	PM-9630	P.B	Sn	ALL PIN (A)=14.5+0.3/-0.2 (B)=17.7±0.3	△8
TBI-105-01031.153	PM-9630	P.B	Sn	ALL PIN (A)=15.2±0.3 (B)=18.1±0.3	042-2336.001 △7
TBI-105-01031.163	PM-9630	P.B	Sn	ALL PIN (A)=18±0.3 (B)=21±0.3	
TBI-105-01031.173	PM-9630	P.B	Sn	ALL PIN (A)=18.4±0.3 (B)=21.4±0.3	
TBI-105-01031.183	PM-9630	P.B	Sn	PIN CUT: 2,4,8 (A)=14.5+0.3/-0.2 (B)=17.7±0.3	

TOLERANCE: .X±0.15 .XX±0.10 .XXX±0.05 UNIT : m/m SCALE 3 : 1

Finish: 1. PB wire Immersion Sn on terminal : Thickness:Sn plating,100%,5 μm (200 μ inches) min,Base nickel 0.625 μm (25 μ inches) min.
 2. CP wire Immersion Sn on terminal : Thickness:Sn plating,100%,5 μm (200 μ inches) min.
 3. Coplanarity deviation: 0.10 mm (0.004 inches)max.

REV 19