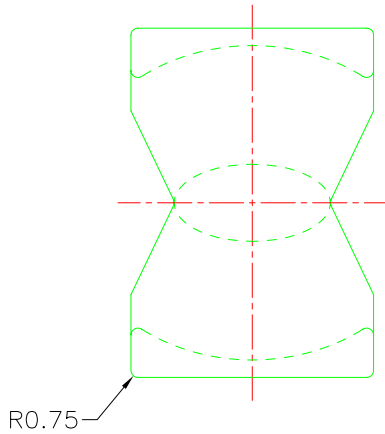
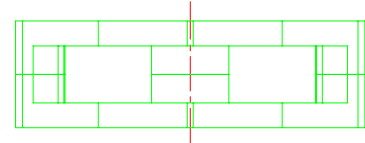
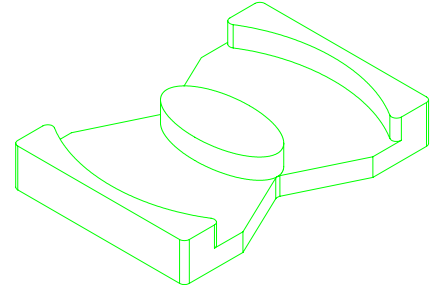
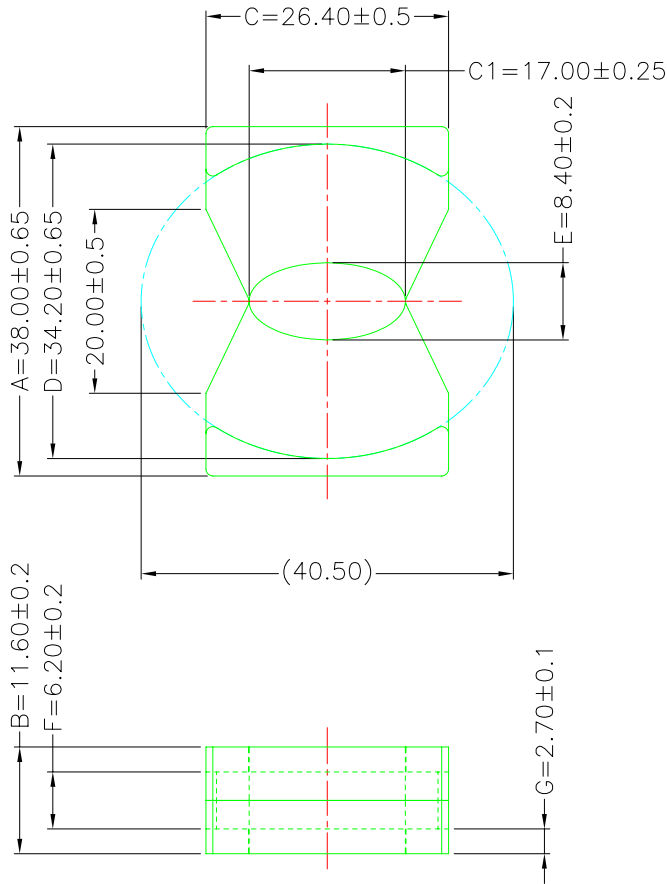


A-CORE
ELECTRICAL CO.

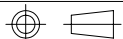
A-CORE JIANGMEN ELECTRONICS CO.,LTD
 江門安磁電子有限公司
 Tel: 86-750-3867791 Fax : 86-750-3867787

REVISIONS				
REV	SYM	DRAFTER	CHECKER	DATE
△1		H.X.DUAN	W.H.HSU	06/21/10
△2		H.X.DUAN	W.H.HSU	09/10/10
△3				



$A_e=137.8\text{mm}^2$
 $L_e=37.6\text{mm}$
 $C1=0.370\text{mm}^{-1}$
 $V_e=5176\text{mm}^3$

DWG NO.	PQ38B12-CORE				
PART NO.	MATERIAL (BOBBIN)	MATERIAL (TERMINAL)	TERMINAL (PLATING)	PIN ALLOCATION	NOTE
PQ38B12	JPP-44A				
PQ38B12	JPP-95				



Finish:

UNIT : m/m

SCALE 1:1

REV 2

A-CORE

A-CORE JIANGMEN ELECTRONICS CO.,LTD
江門安磁電子有限公司

TBI

TRANSFORMER BOBBIN
INDUSTRIAL CO.,LTD.

ELECTRICAL CO. Tel : 86-750-3867791 Fax : 86-750-3867787

Tel : 86-769-88789999 Fax : 86-769-88789989

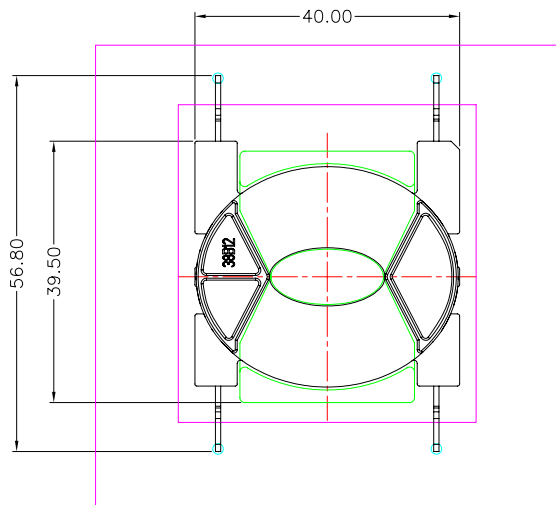
e-mail : sales@acore-ferrite.com

http:// tbi-tw.com e-mail : tb6688@ms46.hinet.net

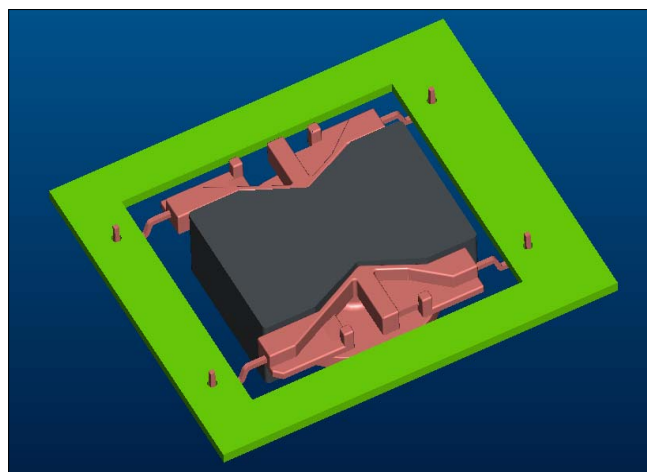
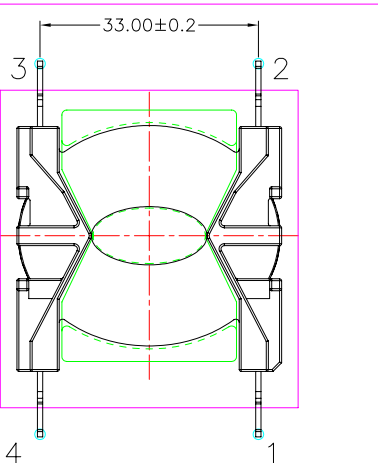
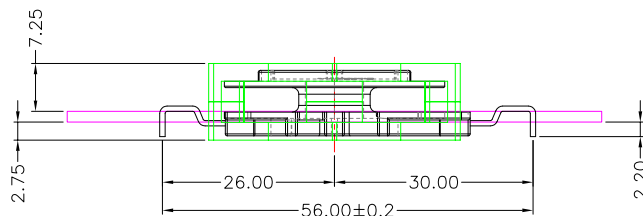
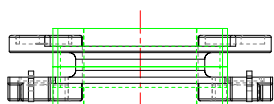
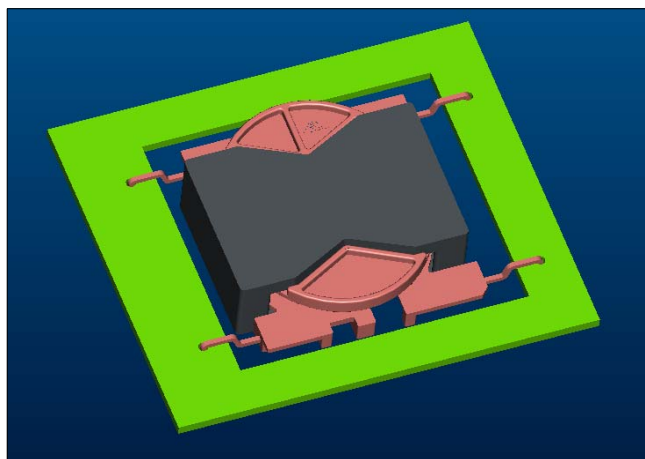
REVISIONS

REV	SYM	DRAFTER	CHECKER	DATE
△3		H.X.DUAN	G.F.YANG	09/10/10
△4		YAN.TANG	G.F.YANG	09/25/10
△5		YAN.TANG	G.F.YANG	11/05/10

TOP



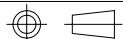
TOP



BOTTOM

BOTTOM

ITEM	PART NO.	MATERIAL	DWG NO.	Core Set Parameters
CORE	PQ38B12	JPP-44A		$A_e=137.8\text{mm}^2$ $L_e=37.6\text{mm}$ $C1=0.370\text{mm}^{-1}$ $V_e=5176\text{mm}^3$
CORE	PQ38B12	JPP-95		
BOBBIN	TBI-216-14041.12XX		PQ38B12-4P-THT-0D-12	



UNIT : m / m

SCALE 1 : 1

REV

5