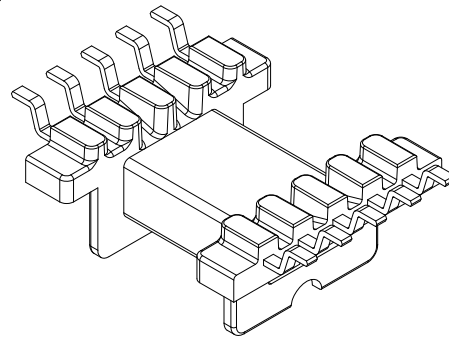
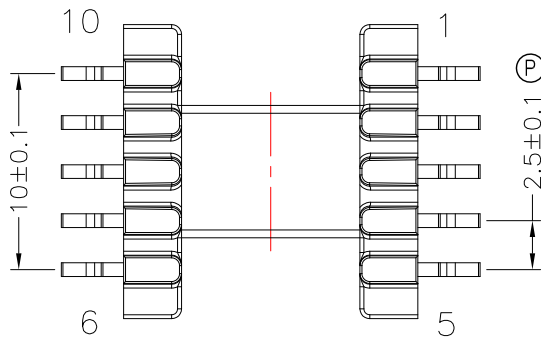
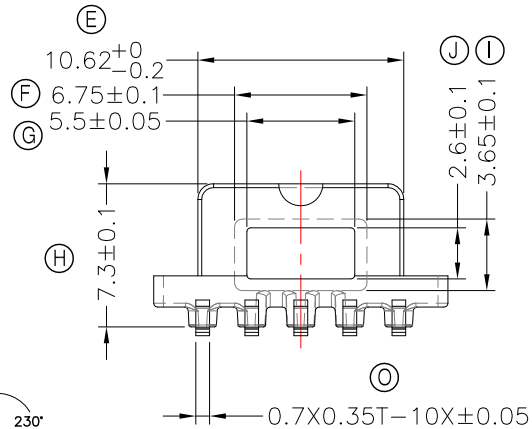
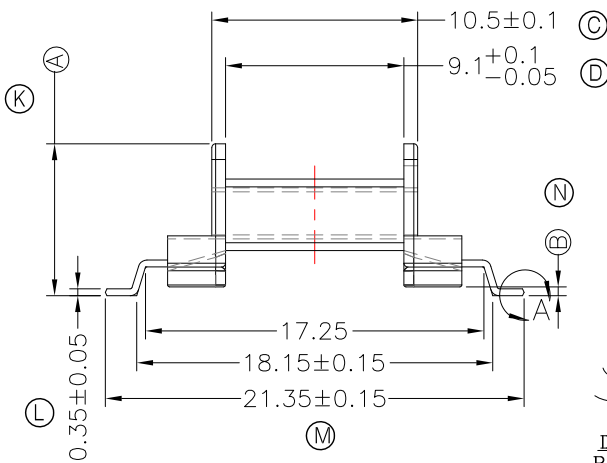
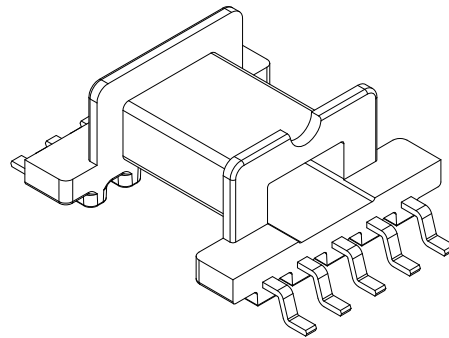
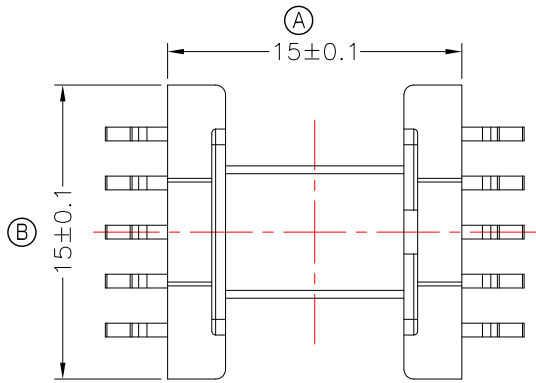




TRANSFORMER BOBBIN INDUSTRIAL CO.,LTD.

Tel : 86-769-88789999 Fax : 86-769-88789989  
 http:// tbi-tw.com e-mail : tb6688@ms46.hinet.net

REVISIONS				
REV	SYM	DRAFTER	CHECKER	DATE
△		YAN.TANG	G.F.YANG	04/09/08
△		YAN.TANG	G.F.YANG	05/12/08
△		YAN.TANG	G.F.YANG	06/04/08



DWG NO.	EFD15-10P-GW-2.5-1A-11			
PART NO.	MATERIAL (BOBBIN)	MATERIAL (TERMINAL)	TERMINAL (PLATING)	PIN ALLOCATION
TBI-107-03111.1103	PM-9630	PB	Sn	ALL PIN (A) =7.75±0.15 (B) =0.45±0.1
TBI-107-03111.1113	PM-9630	PB	Sn	ALL PIN (A) =7.65±0.15 (B) =0.35±0.1
△ TBI-107-03111.1123	PM-9630	PB	Sn	CUT PIN #3 (A) =7.75±0.15 (B) =0.45±0.1
△ TBI-107-03111.1133	PM-9630	PB	Sn	ALL PIN (A) =8.0±0.15 (B) =0.7±0.1
△ TBI-107-03111.1143	PM-9630	PB	Sn	CUT PIN #2,4,7,8,9 (A) =7.75±0.15 (B) =0.45±0.1
F TBI-107-03111.1153	PM-9630	PB	Sn	CUT PIN #1,2,3,7,8 (A) =7.75±0.15 (B) =0.45±0.1
TBI-107-03111.1163	PM-9630	PB	Sn	CUT PIN #1,3,5,7,8 (A) =7.75±0.15 (B) =0.45±0.1
TBI-107-03111.1173	PM-9630	PB	Sn	ALL PIN (A) =7.55±0.15 (B) =0.25±0.1
TBI-107-03111.1183	PM-9630	PB	Sn	CUT PIN #2,4,8 (A) =7.75±0.15 (B) =0.45±0.1
TBI-107-03111.1193	PM-9630	PB	Sn	CUT PIN#3,8 (A) =7.75±0.15 (B) =0.45±0.1
TBI-107-03111.11A3	PM-9630	PB	Sn	CUT PIN#6,7,8,9,10 (A) =7.75±0.15 (B) =0.45±0.1
TBI-107-03111.11B3	PM-9630	PB	Sn	CUT PIN #6,7,8 (A) =7.75±0.15 (B) =0.45±0.1
TBI-107-03111.11C3	PM-9630	PB	Sn	CUT PIN #8 (A) =7.75±0.15 (B) =0.45±0.1
TBI-107-03111.11D3	PM-9630	PB	Sn	CUT PIN #6 (A) =8.0±0.15 (B) =0.7±0.1

TOLERANCE: .X±0.15 .XX±0.10 .XXX±0.05 UNIT : m/m SCALE 3 : 1

Finish: 1. PB wire Immersion Sn on terminal : Thickness:Sn plating,100,5 μm (200 μ inches) min,Base nickel 0.625 μm (25 μ inches) min.  
 2. CP wire Immersion Sn on terminal : Thickness:Sn plating,100,5 μm (200 μ inches) min.  
 3. Coplanarity deviation: 0.10 mm (0.004 inches) max.

REV 5