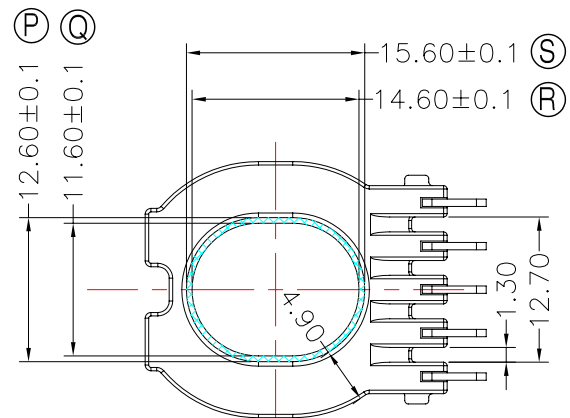
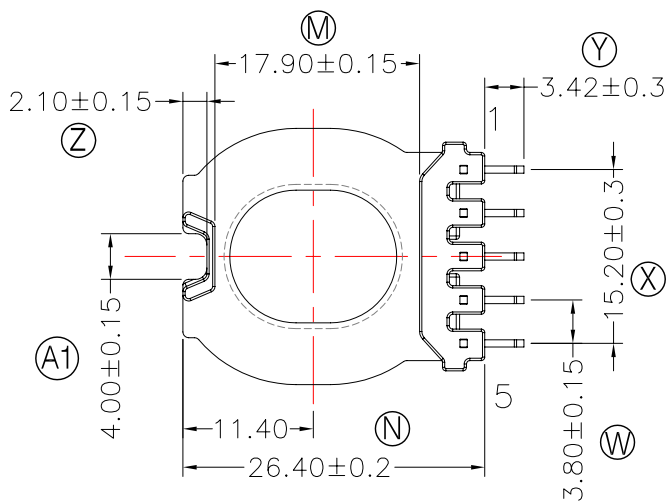
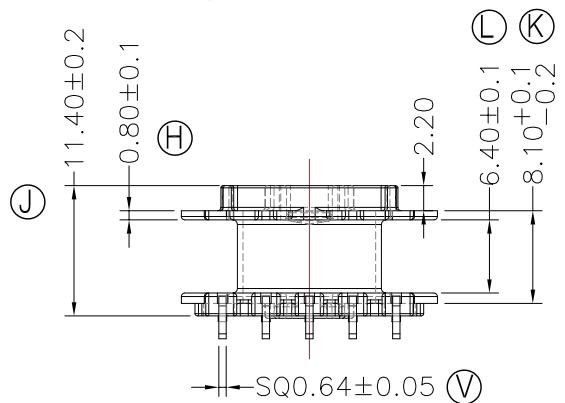
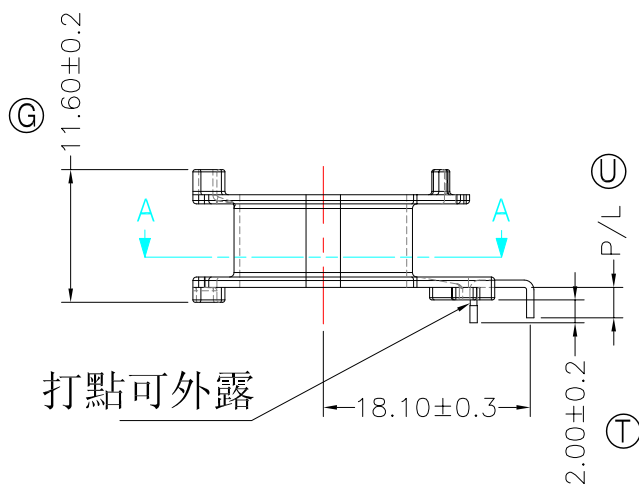
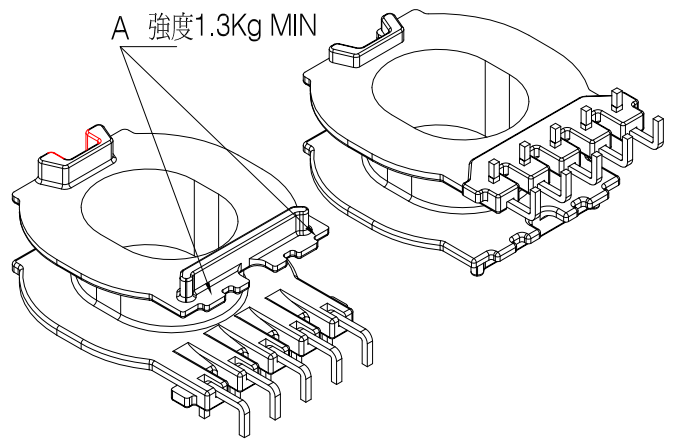
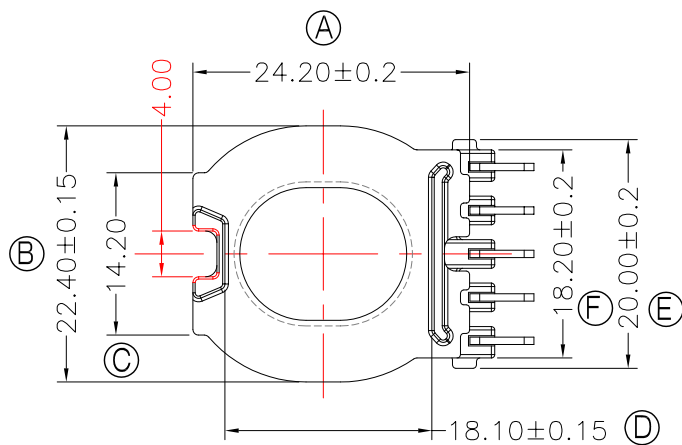




TRANSFORMER BOBBIN
INDUSTRIAL CO.,LTD.

Tel : 86-769-88789999 Fax : 86-769-88789999
http:// tbi-tw.com e-mail : tb6688@ms46.hinet.net

REVISIONS				
REV	SYM	DRAFTER	CHECKER	DATE
①		X.H.GU	G.F.YANG	12/26/12
②		H.X.DUAN	G.F.YANG	12/02/13
③				



1. 推力0.8 MIN;
2. 在制成品變壓器時PIN腳需點膠固定;
3. 任意一點強度須2.0KgMIN;(除以下測試點.A.處為1.3KgMIN).

DWG NO. ATQ27-14.4-5P-TU-H3-11

PART NO.	MATERIAL (BOBBIN)	MATERIAL (TERMINAL)	TERMINAL (PLATING)	PIN ALLOCATION	NOTE
TBI-238-03831.1106	PM-9630	CP WIRE	Sn	ALL PIN P/L=2.66±0.2	S
TBI-238-03831.1116	PM-9630	CP WIRE	Sn	NO PIN#4 P/L=2.66±0.2	H
TBI-238-03831.1126	PM-9630	CP WIRE	Sn	NO PIN#4 P/L=2.86±0.2	

TOLERANCE: 0<L<=4:±0.1 4<L<=16:±0.2 16<L<=63:±0.3

UNIT : m / m

SCALE 1 : 1

Finish: 1. PB wire Immersion Sn on terminal : Thickness:Sn plating,100,5 μm (200 μ inches) min,Base nickel 0.625 μm (25 μ inches) min.
2. CP wire Immersion Sn on terminal : Thickness:Sn plating,100,5 μm (200 μ inches) min.
3. Coplanarity deviation: 0.10 mm (0.004 inches) max.

REV 2

A-CORE

A-CORE JIANGMEN ELECTRONICS CO.,LTD
江門安磁電子有限公司

TBI

TRANSFORMER BOBBIN
INDUSTRIAL CO.,LTD.

ELECTRICAL CO. Tel : 86-750-3867791 Fax : 86-750-3867787

Tel : 86-769-88789999 Fax : 86-769-88789989

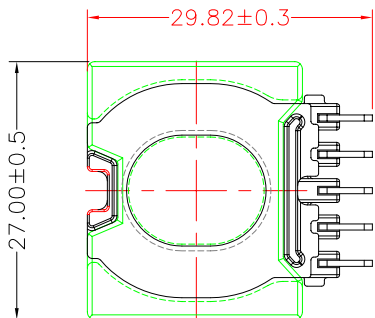
e-mail : sales@acore-ferrite.com

http:// tbi-tw.com e-mail : tb6688@ms46.hinet.net

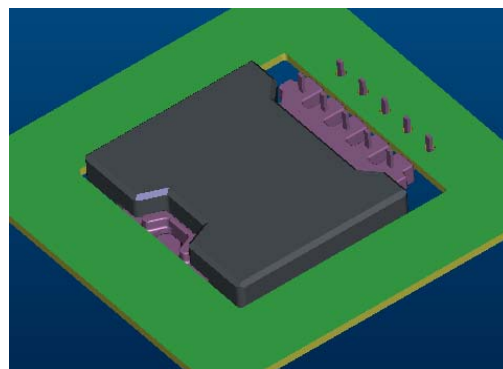
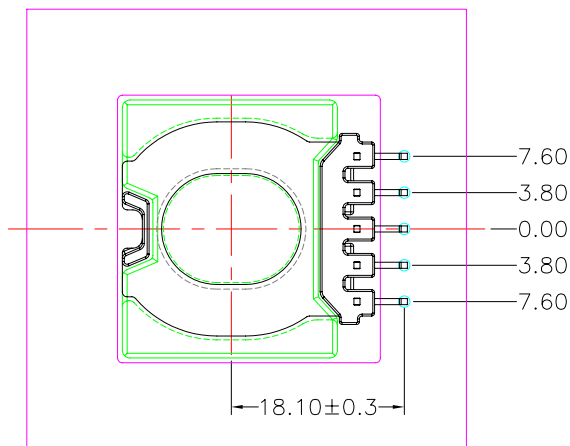
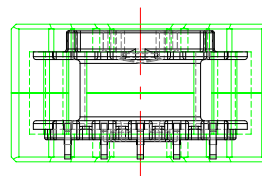
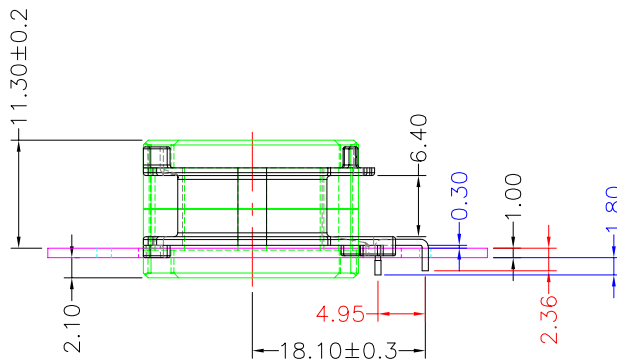
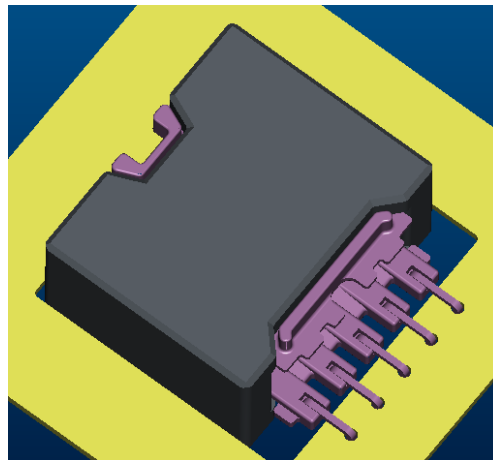
REVISIONS

REV	SYM	DRAFTER	CHECKER	DATE
1		X.H.GU	G.F.YANG	12/26/12
2		H.X.DUAN	G.F.YANG	12/02/13
3				

TOP



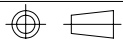
TOP



BOTTOM

BOTTOM

ITEM	PART NO.	MATERIAL	DWG NO.	Core Set Parameters
CORE	ATQ27/14.4	JPP-44A		$A_e=132\text{mm}^2$ $L_e=43.0\text{mm}$ $C1=0.326\text{mm}^{-1}$ $V_e=5676\text{mm}^3$
CORE	ATQ27/14.4	JPP-95		
BOBBIN	TBI-238-03831.11XX		ATQ27-14.4-5P-TU-H3-11	



UNIT : m / m

SCALE 1 : 1

REV 2