

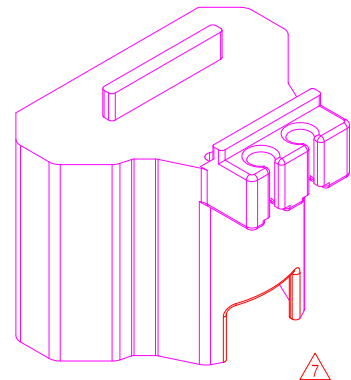
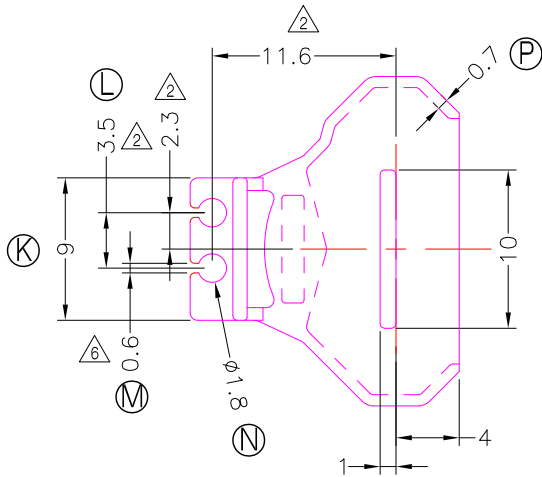
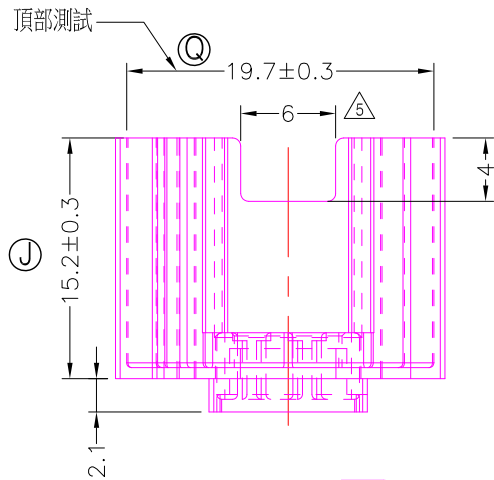
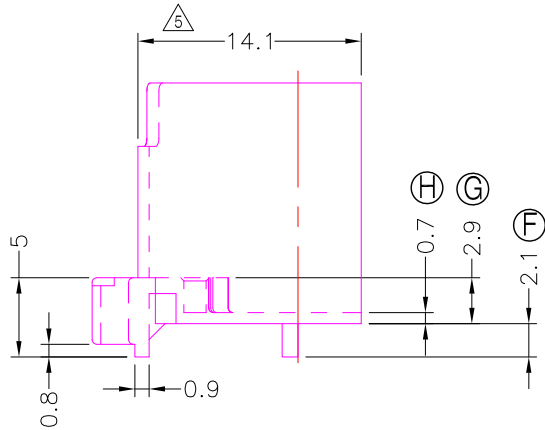
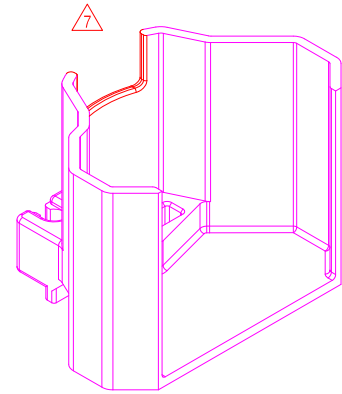
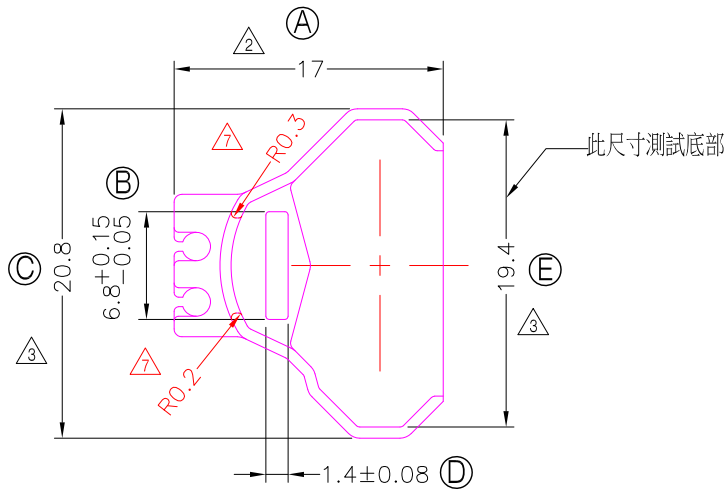


**TRANSFORMER BOBBIN  
INDUSTRIAL CO.,LTD.**

Tel : 86-769-88789999 Fax : 86-769-88789989  
http:// tbi-tw.com e-mail : tb6688@ms46.hinet.net

REVISIONS

REV	SYM	DRAFTER	CHECKER	DATE
△5		X.H.GU	G.F.YANG	01/15/15
△6		X.H.GU	G.F.YANG	02/09/15
△7		F.LU	G.F.YANG	07/14/15

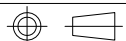


NOTE:

- 1.任意一點強度須1.5kg MIN;
- 2.耐壓4.0Kv /1.5mA 60S;
- 3.與TBI-208-02191.12XX(RM6-15.2G-5P-TH-A9-12)配套使用;

DWG NO. RM6-15.2G-CASE-A9-12

PART NO.	MATERIAL (BOBBIN)	MATERIAL (TERMINAL)	TERMINAL (PLATING)	PIN ALLOCATION	NOTE
TBI-208-02191.12C	PM-9820	NA			S
					H



TOLERANCE: 0<L<=4:±0.1 4<L<=16:±0.2 16<L<=63:±0.3

UNIT : m / m

SCALE 1 : 1

Finish: 1. PB wire Immersion Sn on terminal : Thickness:Sn plating,100%,5 μm (200 μ inches) min,Base nickel 0.625 μm (25 μ inches) min.  
2. CP wire Immersion Sn on terminal : Thickness:Sn plating,100%,5 μm (200 μ inches) min.  
3. Coplanarity deviation: 0.10 mm (0.004 inches) max.

REV 7