

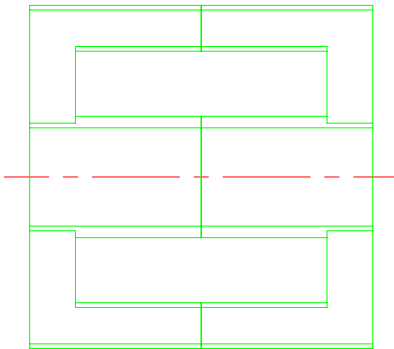
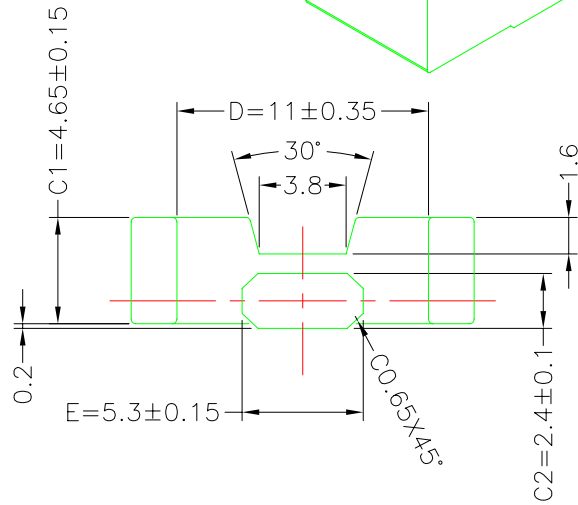
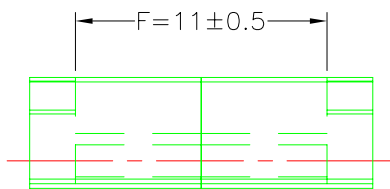
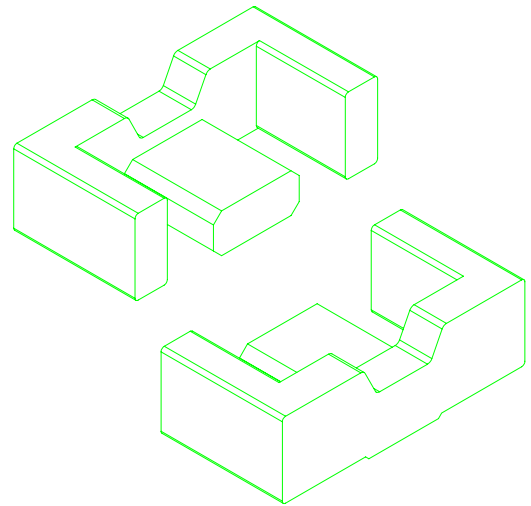
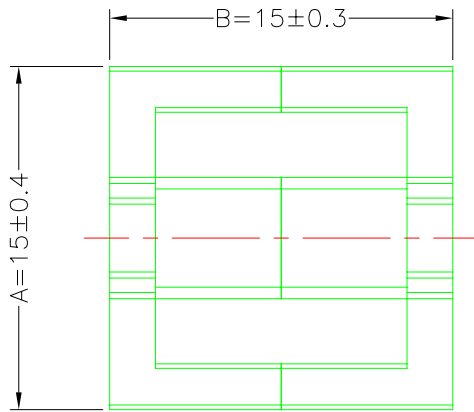


**TRANSFORMER BOBBIN
INDUSTRIAL CO.,LTD.**

Tel : 86-769-88789999 Fax : 86-769-88789989
 http:// tbi-tw.com e-mail : tb6688@ms46.hinet.net

REVISIONS

REV	SYM	DRAFTER	CHECKER	DATE
1		H.X.DUAN	W.H.HSU	05/13/10
2				
3				



Ae=15mm²
 Le=34mm
 C1=2.27mm⁻¹
 Ve=510mm³

DWG NO.	EFD15-15A-CORE				
PART NO.	MATERIAL	MATERIAL (TERMINAL)	TERMINAL (PLATING)	PIN ALLOCATION	NOTE
EFD15-15A	JPP-44A				
EFD15-15A	JPP-95				
Finish:	TOLERANCE: .X±0.15 .XX±0.10 .XXX±0.05			UNIT : m/m	SCALE 1:1
				REV	1

A-CORE

A-CORE JIANGMEN ELECTRONICS CO.,LTD
 江門安磁電子有限公司

TBI

TRANSFORMER BOBBIN
 INDUSTRIAL CO.,LTD.

ELECTRICAL CO. Tel : 86-750-3867791 Fax : 86-750-3867787

Tel : 86-769-88789999 Fax : 86-769-88789989

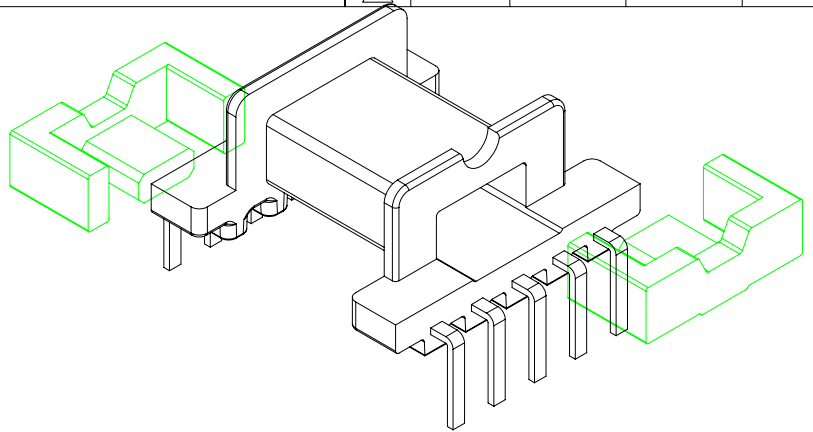
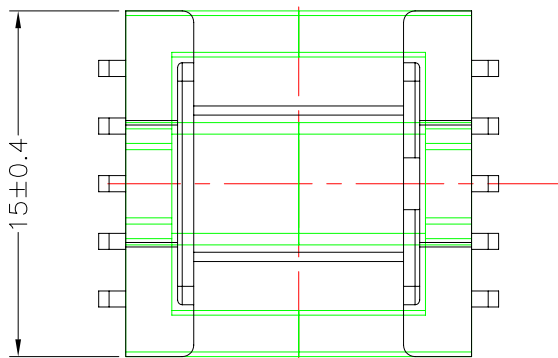
e-mail : sales@acore-ferrite.com

http:// tbi-tw.com e-mail : tb6688@ms46.hinet.net

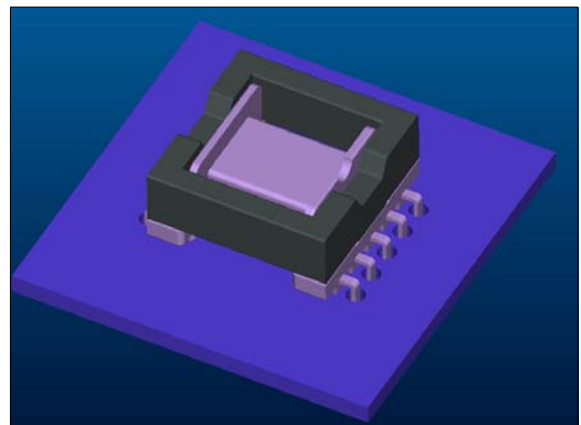
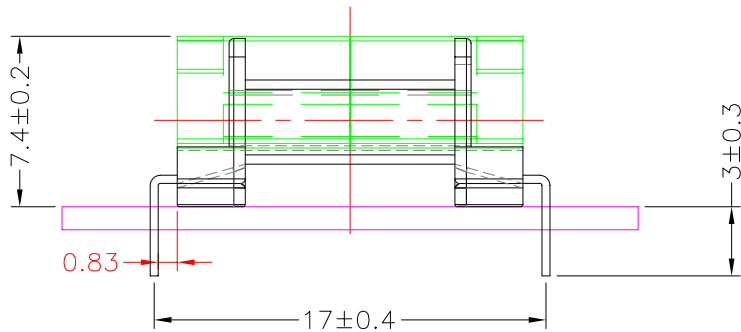
REVISIONS

REV	SYM	DRAFTER	CHECKER	DATE
△1		G.F.YANG	W.H.HSU	11/15/13
△2				
△3				

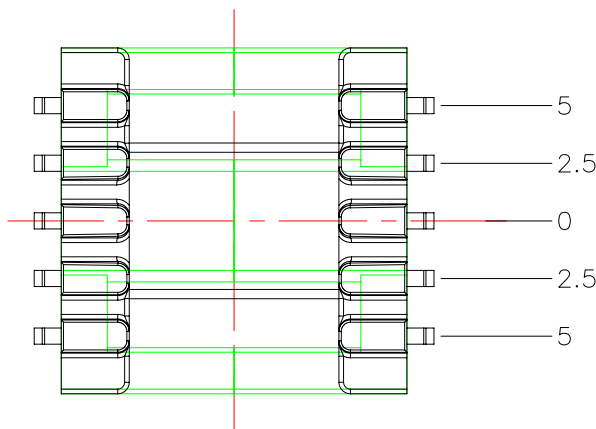
TOP



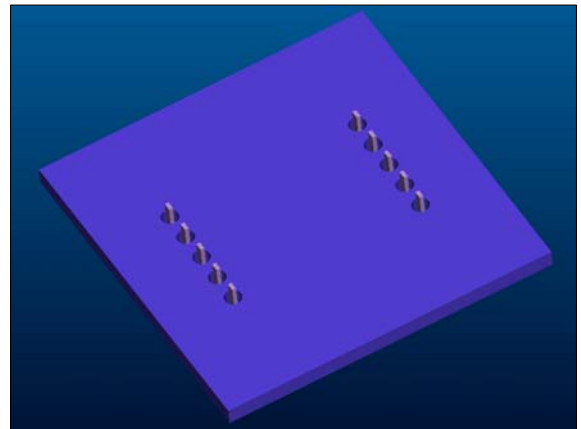
TOP



BOTTOM

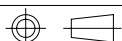


BOTTOM



ITEM	PART NO.	MATERIAL	DWG NO.
CORE	EFD15-15A	JPP-44A	
CORE	EFD15-15A	JPP-95	
BOBBIN	TBI-207-03171.11XX		EFD15-10P-TL-2.5-1G-11

Ae=15mm²
 Le=34mm
 C1=2.27mm⁻¹
 Ve=510mm³



UNIT : m/m

SCALE 1 : 1

REV 1