

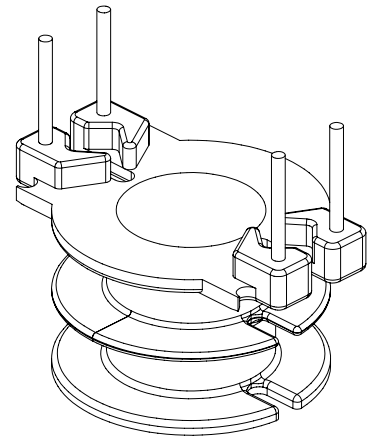
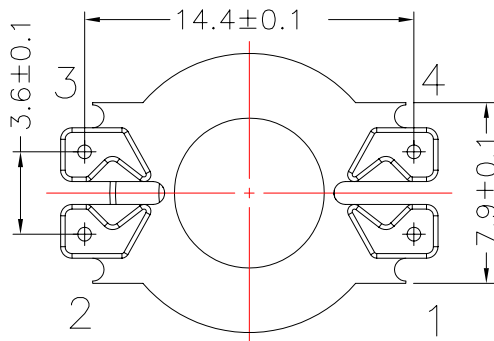
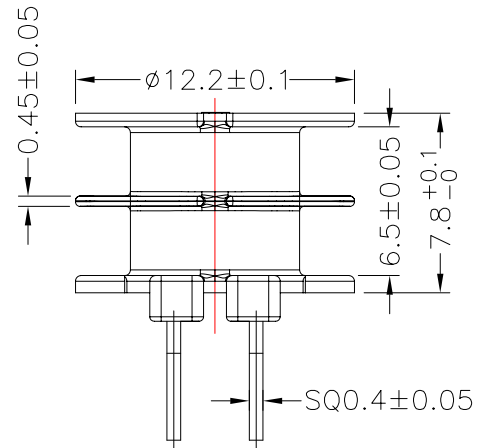
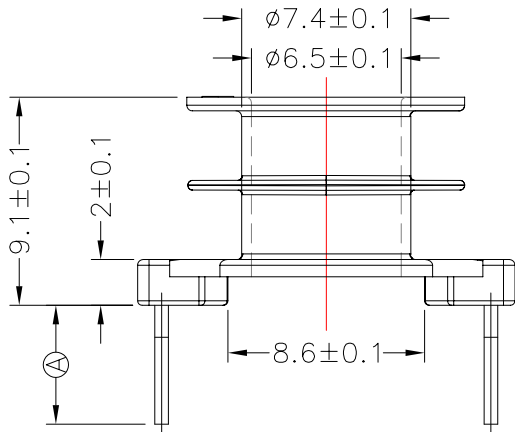
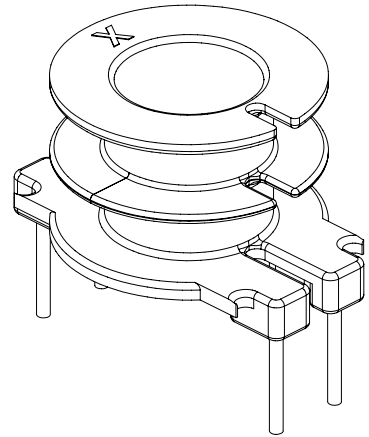
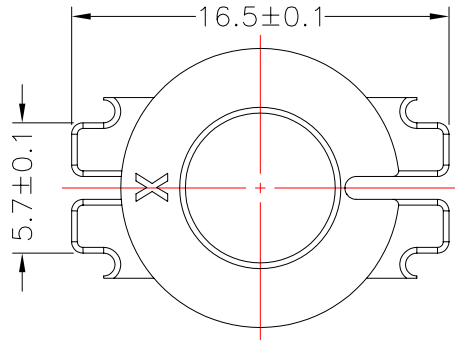


**TRANSFORMER BOBBIN  
INDUSTRIAL CO.,LTD.**

Tel : 86-769-88789999 Fax : 86-769-88789989  
 http:// tbi-tw.com e-mail : tb6688@ms46.hinet.net

REVISIONS

REV	SYM	DRAFTER	CHECKER	DATE
△4		T.S.LII	W.H.HSU	07/21/06
△5		S.Y.TANG	G.F.YANG	11/28/07
△6		G.F.YANG	W.H.HSU	05/23/17



DWG NO. RM6-4P-TH-B-1-2S

PART NO.	MATERIAL (BOBBIN)	MATERIAL (TERMINAL)	TERMINAL (PLATING)	PIN ALLOCATION	NOTE
TBI-208-02022.106	PM-9630	C.P WIRE	Sn	ALL PIN (A) = 3.8+0/-0.3	
△5 TBI-208-02022.116	PM-9630	C.P WIRE	Sn	ALL PIN (A) = 5.0±0.2 △6	
TBI-208-02022.126	PM-9630	C.P WIRE	Sn	ALL PIN (A) = 4.5±0.2 △6	

TOLERANCE: .X±0.15 .XX±0.10 .XXX±0.05

UNIT : m / m

SCALE 3 : 1

Finish: 1. Pb wire Immersion Sn on terminal : Thickness:Sn plating,100%,5 μm (200 μ inches) min,Base nickel 0.625 μm (25 μ inches) min.  
 2. CP wire Immersion Sn on terminal : Thickness:Sn plating,100%,5 μm (200 μ inches) min.  
 3. Coplanarity deviation: 0.10 mm (0.004 inches) max.

REV 6