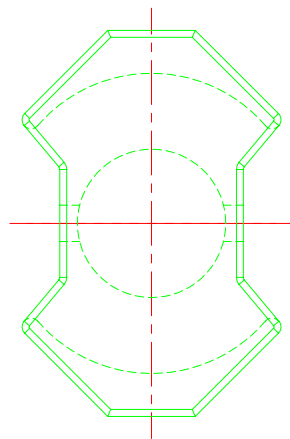
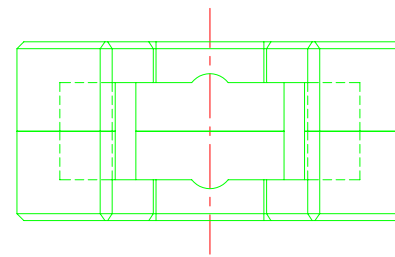
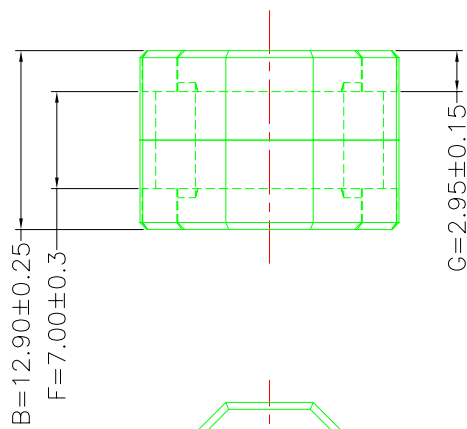
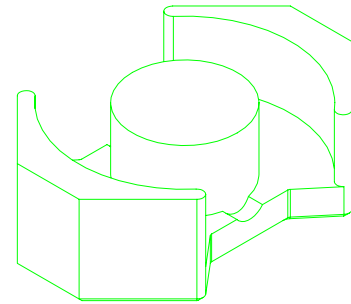
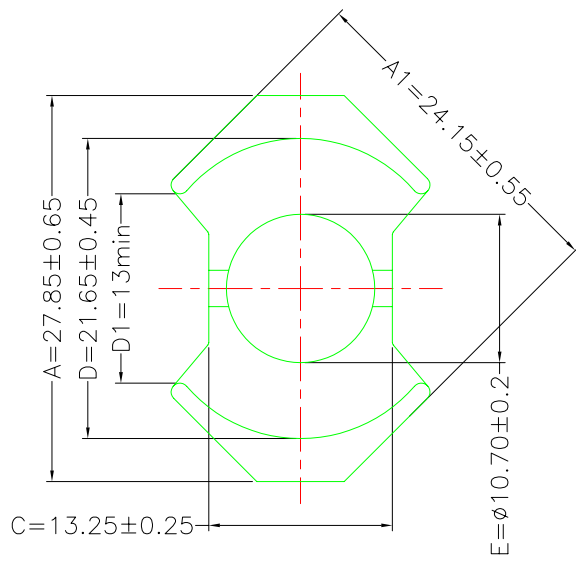


A-CORE
ELECTRICAL CO.

A-CORE JIANGMEN ELECTRONICS CO.,LTD
 江门安磁电子有限公司
 Tel: 86-750-3867791 Fax : 86-750-3867787

REVISIONS

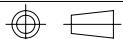
REV	SYM	DRAFTER	CHECKER	DATE
①		X.H.GU	G.F.YANG	06/04/11
②				
③				



Core Set Parameters

$A_e=98.3\text{mm}^2$
 $L_e=38.2\text{mm}$
 $C_1=0.389\text{mm}^{-1}$
 $V_e=3755.06\text{mm}^3$

DWG NO.	RM10/12.9G CORE				
PART NO.	MATERIAL (BOBBIN)	MATERIAL (TERMINAL)	TERMINAL (PLATING)	PIN ALLOCATION	NOTE
RM10/12.9G	JPP-44A				
RM10/12.9G	JPP-95				



Finish:

UNIT : m/m

SCALE 1 : 1

REV 1

A-CORE

A-CORE JIANGMEN ELECTRONICS CO.,LTD
江門安磁電子有限公司

TBI

TRANSFORMER BOBBIN
INDUSTRIAL CO.,LTD.

ELECTRICAL CO. Tel : 86-750-3867791 Fax : 86-750-3867787

Tel : 86-769-88789999 Fax : 86-769-88789989

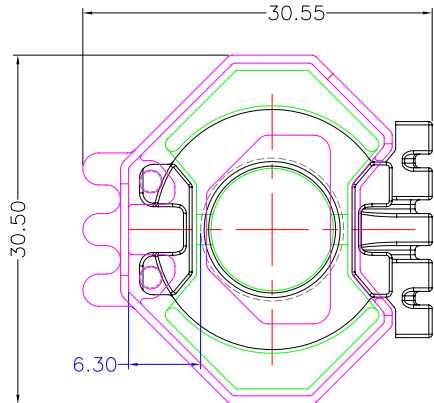
e-mail : sales@acore-ferrite.com

http:// tbi-tw.com e-mail : tb6688@ms46.hinet.net

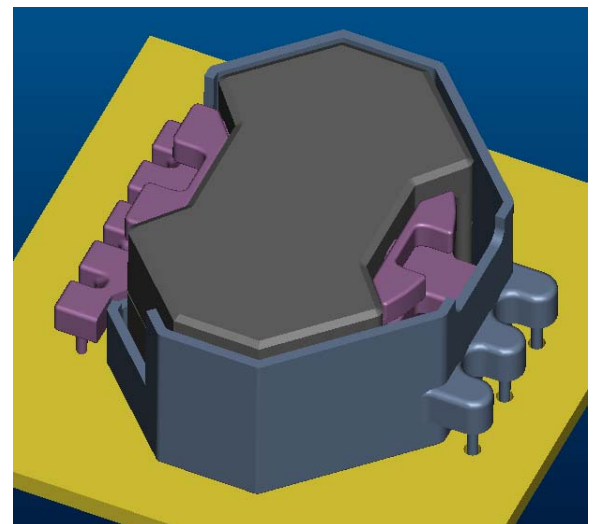
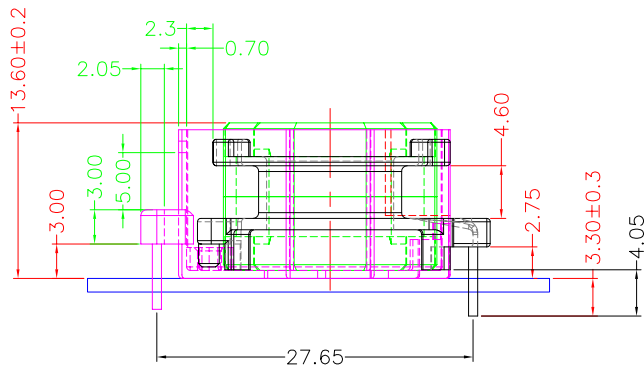
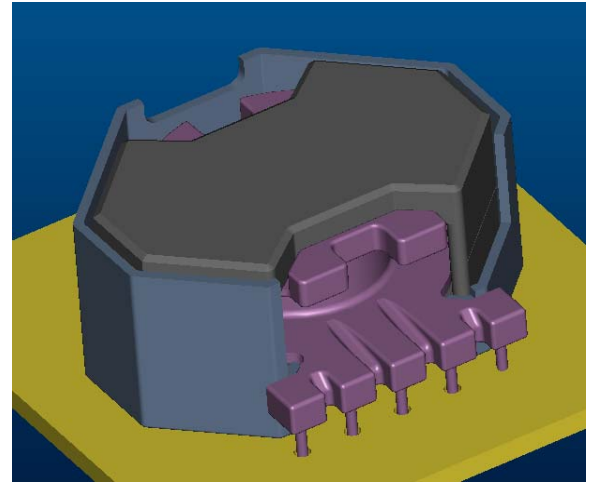
REVISIONS

REV	SYM	DRAFTER	CHECKER	DATE
△1		X.H.GU	G.F.YANG	04/26/12
△2		X.H.GU	G.F.YANG	07/09/12
△3				

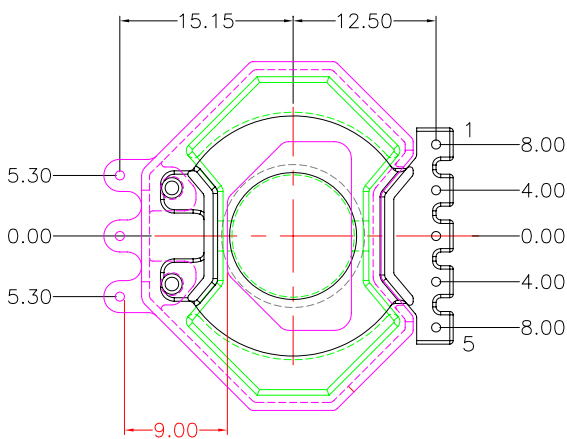
TOP



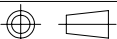
TOP



BOTTOM



BOTTOM

ITEM	PART NO.	MATERIAL	DWG NO.	Core Set Parameters
CORE	RM10/12.9G	JPP-44A		$A_e=98.3\text{mm}^2$ $L_e=38.2\text{mm}$ $C_1=0.389\text{mm}^{-1}$ $V_e=3755.06\text{mm}^3$
CORE	RM10/12.9G	JPP-95		
BOBBIN	TBI-208-04421.12XX		RM10-12.9G-5P-TH-D2-12	
CASE	TBI-208-04431.12XX		RM10-12.9G-3P-CASE-TH-D3-12	
				UNIT : m/m
				SCALE 1 : 1
				REV 2