

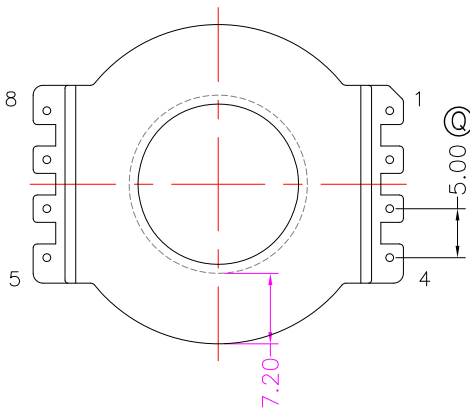
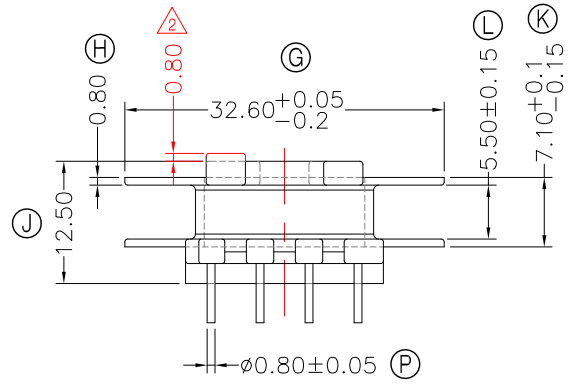
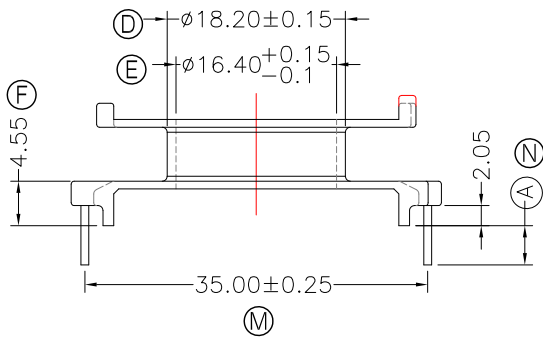
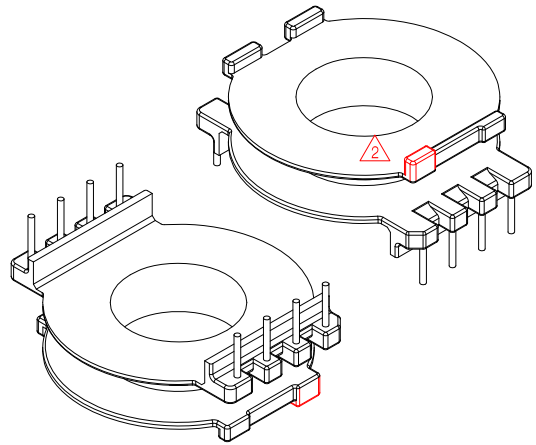
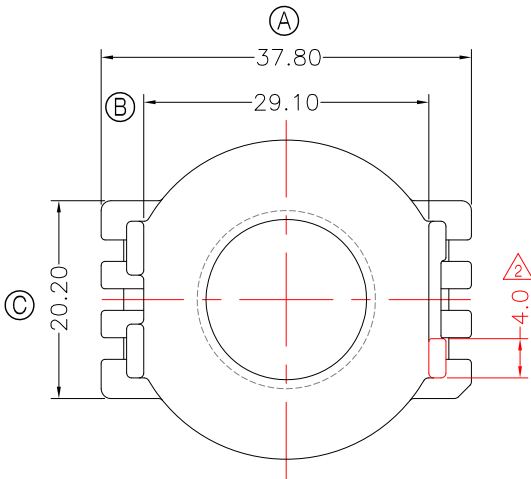


**TRANSFORMER BOBBIN
INDUSTRIAL CO.,LTD.**

Tel : 86-769-88789999 Fax : 86-769-88789989
http:// tbi-tw.com e-mail : tb6688@ms46.hinet.net

REVISIONS

REV	SYM	DRAFTER	CHECKER	DATE
△1		X.X.YUAN	G.F.YANG	12/01/14
△2		X.H.GU	G.F.YANG	04/20/15
△3				



NOTE:

- 1.耐壓4.0Kv /1.5mA 60S;
- 2.焊錫溫度:450°±10° 3SEC;
- 3.任意一點強度須1.8kg MIN;
- 4.焊錫前拉力:1.0KG MIN;焊錫後拉力:1.5KG MIN
- 5.WINDING SPACE:5.5mm*7.2mm=39.6mm²

DWG NO.	CC40-13.5A-8P-TH-D8-11				
PART NO.	MATERIAL (BOBBIN)	MATERIAL (TERMINAL)	TERMINAL (PLATING)	PIN ALLOCATION	NOTE
TBI-239-01481.1106	PM-9630	CP WIRE	Sn	ALL PIN (A)=4.0±0.2	S
TBI-239-01481.1116	PM-9630	CP WIRE	Sn	ALL PIN (A)=3.4±0.2	H
TBI-239-01481.1126	PM-9630	CP WIRE	Sn	CUT PIN#6 (A)=3.4±0.2	
TBI-239-01481.1136	PM-9630	CP WIRE	Sn	CUT PIN#4,6,8 (A)=3.2±0.2	
TBI-239-01481.1146	PM-9630	CP WIRE	Sn	ALL PIN (A)=5.0±0.2	暫無刀模
TBI-239-01481.1156	PM-9630	CP WIRE	Sn	CUT PIN#2,3, (A)=3.2±0.2	
TBI-239-01481.1166	PM-9630	CP WIRE	Sn	CUT PIN#2,3, (A)=2.8±0.2	
TOLERANCE: 0<L<=4:±0.1 4<L<=16:±0.2 16<L<=63:±0.3				UNIT : m/m	SCALE 1 : 1

Finish: 1. PB wire Immersion Sn on terminal : Thickness:Sn plating,100%,5 μ m (200 μ inches) min,Base nickel 0.625 μ m (25 μ inches) min.
2. CP wire Immersion Sn on terminal : Thickness:Sn plating,100%,5 μ m (200 μ inches) min.
3. Coplanarity deviation: 0.10 mm (0.004 inches)max.

REV 2