

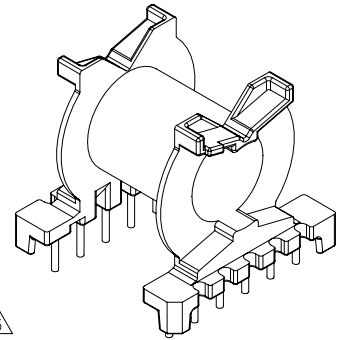
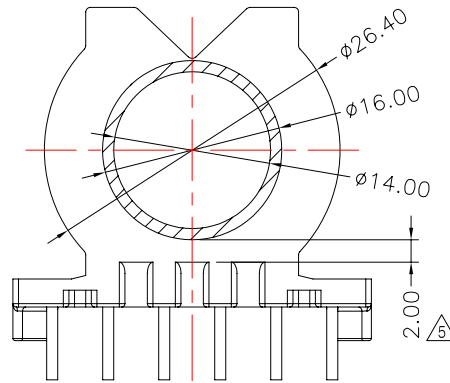
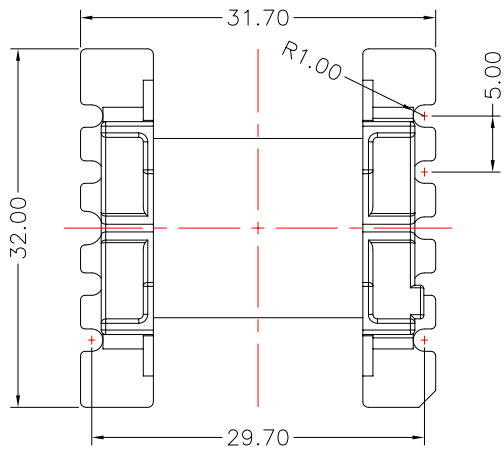


TRANSFORMER BOBBIN
INDUSTRIAL CO.,LTD.

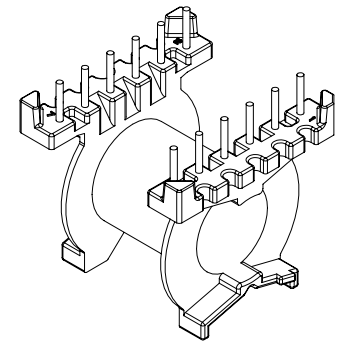
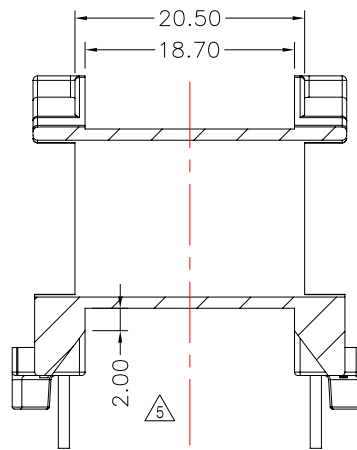
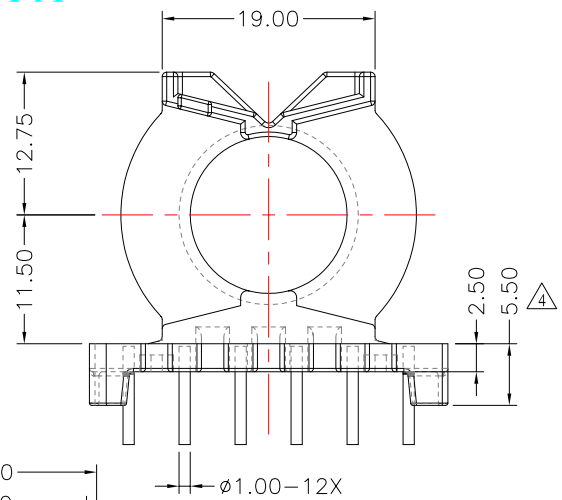
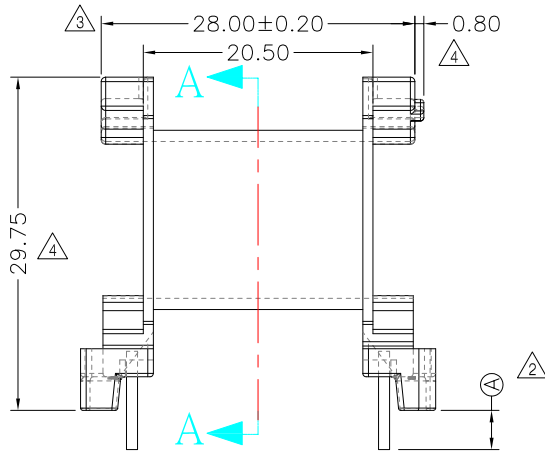
Tel : 86-769-88789999 Fax : 86-769-88789989
http:// tbi-tw.com e-mail : tb6688@ms46.hinet.net

REVISIONS

REV	SYM	DRAFTER	CHECKER	DATE
3		YAN.TANG	G.F.YANG	05/08/08
4		YAN.TANG	G.F.YANG	05/21/08
5		YAN.TANG	G.F.YANG	08/22/08



SECTION A-A



SECTION B-B

拉力要求 1.5 KG Min

DWG NO. PQ3230H-12P-TH-5.0-C-12

PART NO.	MATERIAL (BOBBIN)	MATERIAL (TERMINAL)	TERMINAL (PLATING)	PIN ALLOCATION	NOTE
TBI-216-02031.1206	PM-9820	CP WIRE	Sn	ALL PIN (A)=3.5±0.3	S.C
TBI-216-02031.1216	PM-9820	CP WIRE	Sn	CUT PIN #4,6,8,10(A)=3.5±0.3	H.C
TBI-216-02031.1226	PM-9820	CP WIRE	Sn	CUT PIN#3,6,7,9,10,12(A)=3.5±0.3	
TBI-216-02031.1236	PM-9820	CP WIRE	Sn	CUT PIN#3,6,8,9,10,12(A)=3.5±0.3	
TBI-216-02031.1246	PM-9820	CP WIRE	Sn	CUT PIN#3,6,8,9,10,12(A)=5.0±0.3	
TBI-216-02031.1256	PM-9820	CP WIRE	Sn	CUT PIN#3,4,7,8,9,10(A)=5.0±0.3	
TBI-216-02031.1266	PM-9820	CP WIRE	Sn	CUT PIN#3,6,7,9,10,12(A)=5.0±0.3	

TOLERANCE: 0<L<=4: ±0.1 4<L<=16: ±0.2 L>16: ±0.3 Angle: ±1° UNIT : m / m SCALE 3 : 2

Finish: 1. PB wire Immersion Sn on terminal : Thickness:Sn plating,100,5 μm (200 μ inches) min,Base nickel 0.625 μm (25 μ inches) min.
2. CP wire Immersion Sn on terminal : Thickness:Sn plating,100,5 μm (200 μ inches) min.
3. Coplanarity deviation: 0.10 mm (0.004 inches)max.

REV 5