

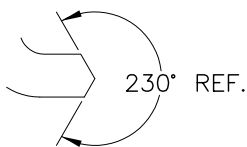
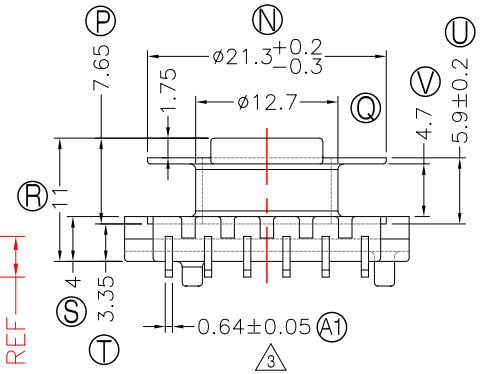
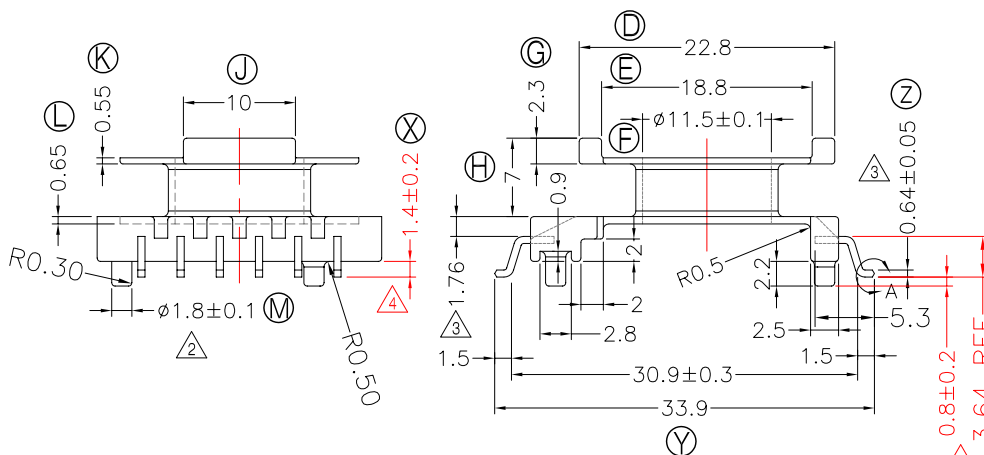
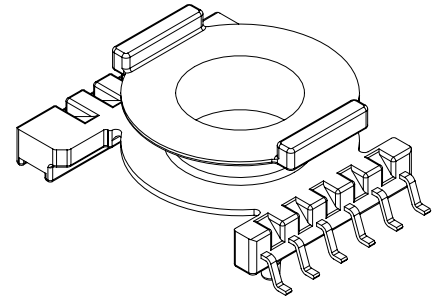
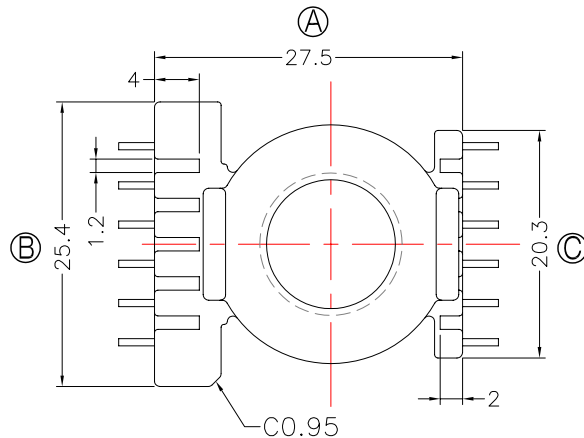


**TRANSFORMER BOBBIN  
INDUSTRIAL CO.,LTD.**

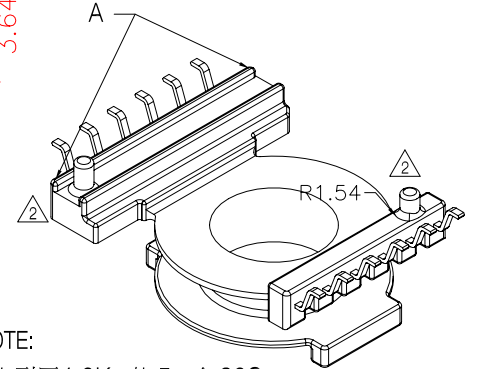
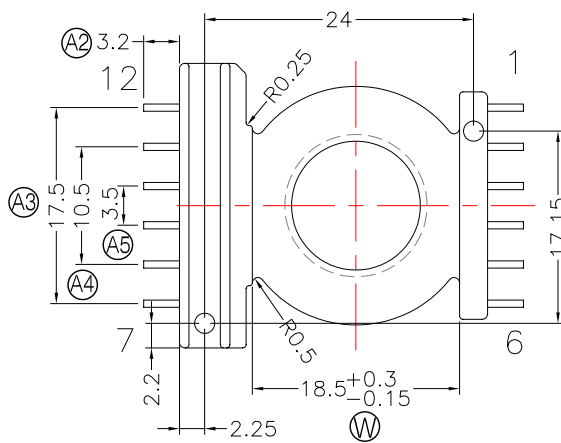
Tel : 86-769-88789999 Fax : 86-769-88789989  
http:// tbi-tw.com e-mail : tb6688@ms46.hinet.net

REVISIONS

REV	SYM	DRAFTER	CHECKER	DATE
2		X.H.GU	G.F.YANG	04/02/14
3		X.H.GU	G.F.YANG	03/13/17
4		G.F.YANG	W.H.HSU	08/31/17



DETAIL:A  
PATENTED



NOTE:

- 耐壓4.0Kv /1.5mA 60S;
- 焊錫溫度:450°±10° 3SEC
- 切斷面不能露銅
- 焊錫前拉力:1.0KG MIN,焊錫後拉力:1.5KG MIN;
- 任意一點強度須1.5KgMIN;(除以下測試點.A.處為1.0KgMIN).

DWG NO. EQ25-12P-GW-0E-11

PART NO.	MATERIAL (BOBBIN)	MATERIAL (TERMINAL)	TERMINAL (PLATING)	PIN ALLOCATION	NOTE
TBI-131-01051.1106	PM-9630(BK)	CP WIRE	Sn	ALL PIN	H
TBI-131-01051.1116	PM-9630(BK)	CP WIRE	Sn	NO PIN#12	

TOLERANCE: 0<L<=4: ±0.1 4<L<=16: ±0.2 16<L<=63: ±0.3

UNIT : m / m

SCALE 1 : 1

Finish: 1. PB wire Immersion Sn on terminal : Thickness:Sn plating,100,5-10 μm (200-400 μ inches) min,Base nickel 1.27-2.0 μm (50.8-80 μ inches) min.  
2. CP wire Immersion Sn on terminal : Thickness:Sn plating,100,5 μm (200 μ inches) min.  
3. Coplanarity deviation: 0.10 mm (0.004 inches) max.

REV 4