

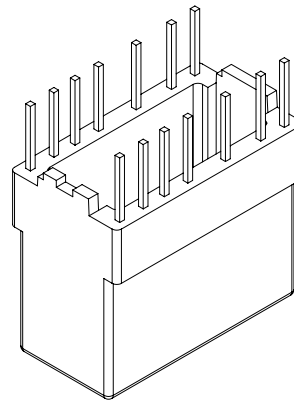
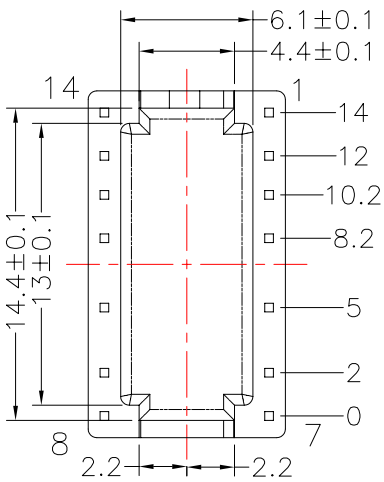
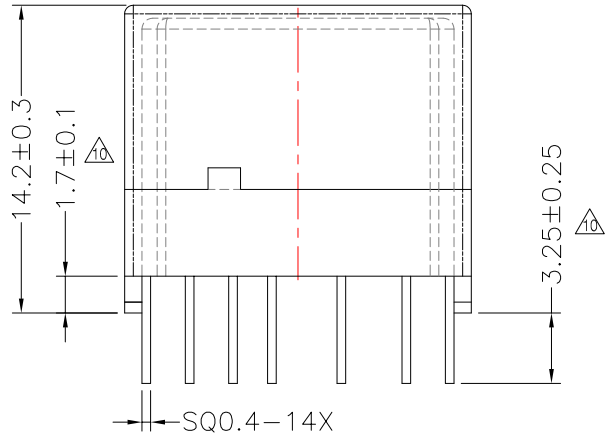
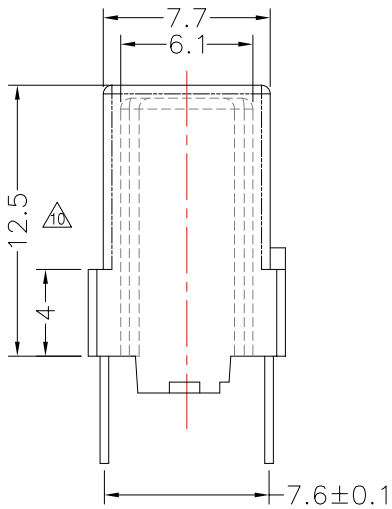
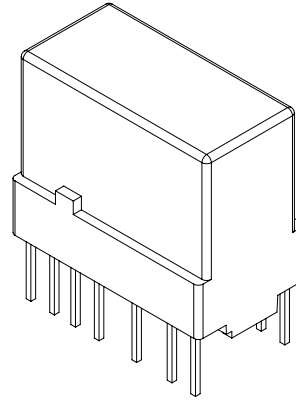
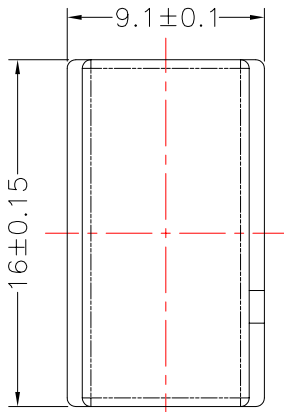


**TRANSFORMER BOBBIN
INDUSTRIAL CO.,LTD.**

Tel : 86-769-88789999 Fax : 86-769-88789989
http:// tbi-tw.com e-mail : tb6688@ms46.hinet.net

REVISIONS

REV	SYM	DRAFTER	CHECKER	DATE
△9		S.Y.TANG	W.H.HSU	10/30/07
△8		S.Y.TANG	W.H.HSU	07/01/09
△1		YUAN.XING	G.F.YANG	07/05/11



DWG NO. T147-14P-TH-2.0-A-1 △1

PART NO.	MATERIAL (BOBBIN)	MATERIAL (TERMINAL)	TERMINAL (PLATING)	PIN ALLOCATION	NOTE
△1 TBI-219-39011.106	PM-9630 △1	C.P △1	Sn	ALL PIN	
△1 TBI-219-39011.116	PM-9630 △1	C.P △1	Sn	CUT PIN #3,4,11,12	53G000059 △1
△1 TBI-219-39011.126	PM-9630 △1	C.P △1	Sn	CUT PIN #1,2,5,7,8,10,13,14	53G000060 △1
△1 TBI-219-39011.136	PM-9630	C.P △1	Sn	CUT PIN #3,4,5,10,11,12	53GT14710PT1
△1 TBI-219-39011.146	PM-9630	C.P △1	Sn	CUT PIN #3,4,6,7,8,9,11,12	53GT14714PT1
F TBI-219-39011.156	PM-9630	C.P	Sn	CUT PIN #3,4,5,6,,9,10,11,12,13	
TBI-219-39011.166	PM-9630	C.P	Sn	CUT PIN #2,3,4,5,6,9,10,11,12,13	

TOLERANCE: .X±0.15 .XX±0.10 .XXX±0.05 UNIT : m / m SCALE 3 : 1

Finish: 1. Pb wire Immersion Sn on terminal : Thickness:Sn plating,100,5 μm (200 μ inches) min,Base nickel 0.625 μm (25 μ inches) min.
2. CP wire Immersion Sn on terminal : Thickness:Sn plating,100,5 μm (200 μ inches) min.
3. Coplanarity deviation: 0.10 mm (0.004 inches)max.

REV 11