

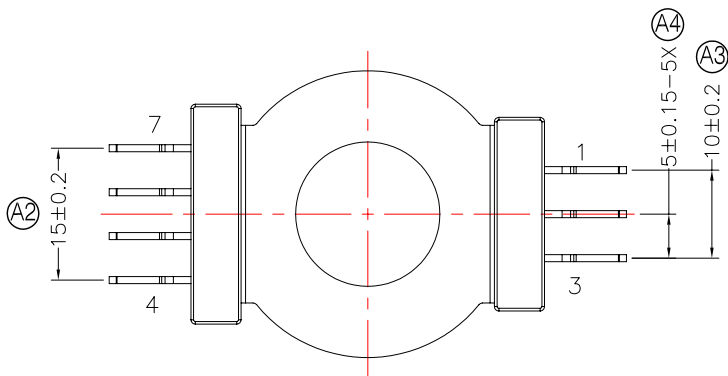
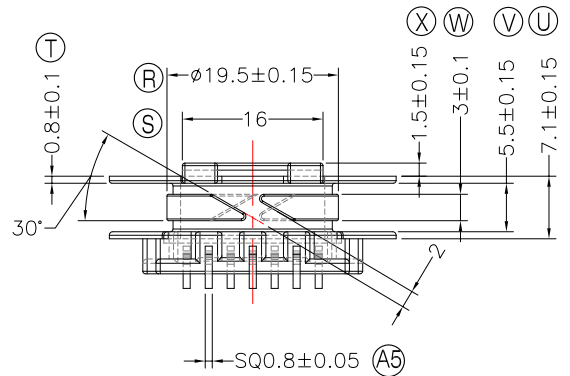
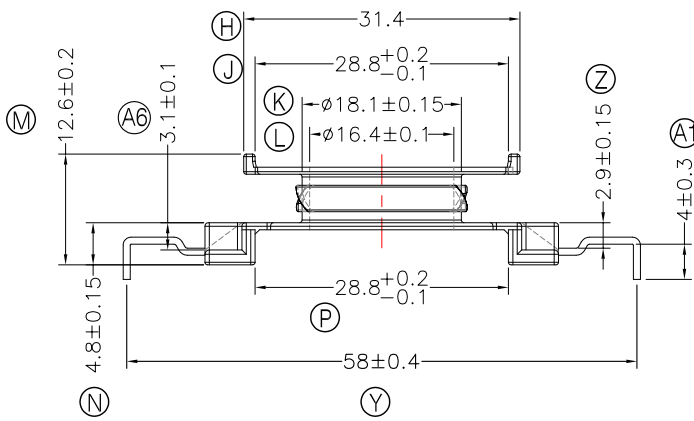
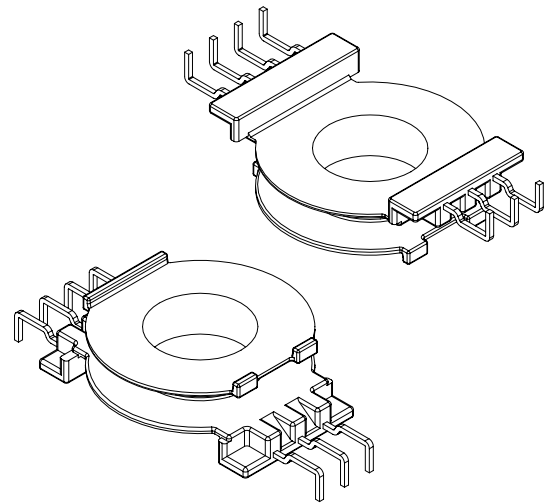
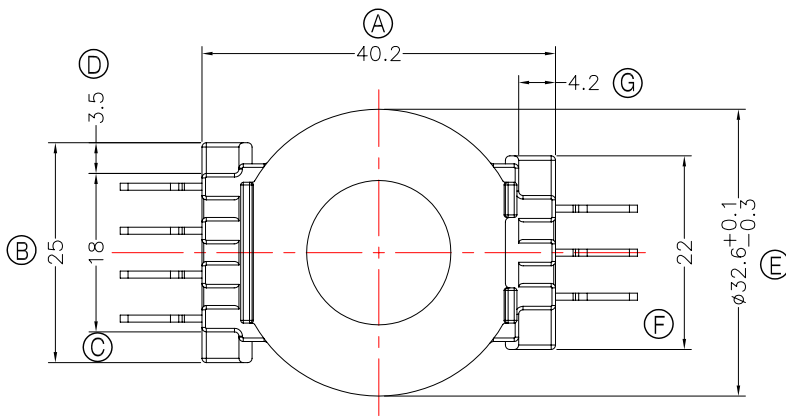


TRANSFORMER BOBBIN  
INDUSTRIAL CO.,LTD.

Tel : 86-769-88789999 Fax : 86-769-88789989  
http:// tbi-tw.com e-mail : tb6688@ms46.hinet.net

REVISIONS

REV	SYM	DRAFTER	CHECKER	DATE
1		X.X.YUAN	G.F.YANG	12/30/14
2				
3				



注: 1.任意一點強度須1.5kg MIN;  
2.PIN拉力須焊前1.5Kg MIN;焊后2.04Kg MIN;

DWG NO. CC40-13.5A-7P-THT-5.0-4E-11

PART NO. MATERIAL (BOBBIN) MATERIAL (TERMINAL) TERMINAL (PLATING) PIN ALLOCATION NOTE

TBI-239-01451.1106 PM-9630 CP WIRE Sn ALL PIN H

TOLERANCE: 0<L<=4:±0.1 4<L<=16:±0.2 16<L<=63:±0.3 UNIT : m / m SCALE 1 : 1

Finish: 1. PB wire Immersion Sn on terminal : Thickness:Sn plating,100%,5 μm (200 μ inches) min,Base nickel 0.625 μm (25 μ inches) min.  
2. CP wire Immersion Sn on terminal : Thickness:Sn plating,100%,5 μm (200 μ inches) min.  
3. Coplanarity deviation: 0.10 mm (0.004 inches) max.

REV 1



**A-CORE**

A-CORE JIANGMEN ELECTRONICS CO.,LTD  
江門安磁電子有限公司

**TBI**

TRANSFORMER BOBBIN  
INDUSTRIAL CO.,LTD.

ELECTRICAL CO. Tel : 86-750-3867791 Fax : 86-750-3867787

Tel : 86-769-88789999 Fax : 86-769-88789989

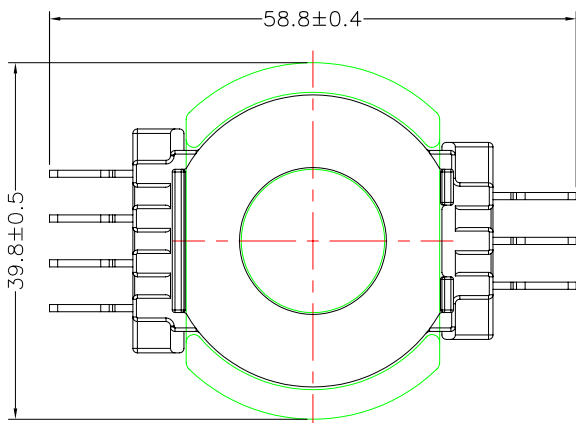
e-mail : sales@acore-ferrite.com

http:// tbi-tw.com e-mail : tb6688@ms46.hinet.net

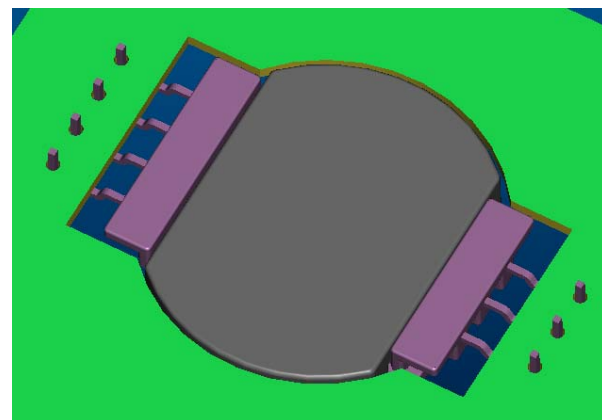
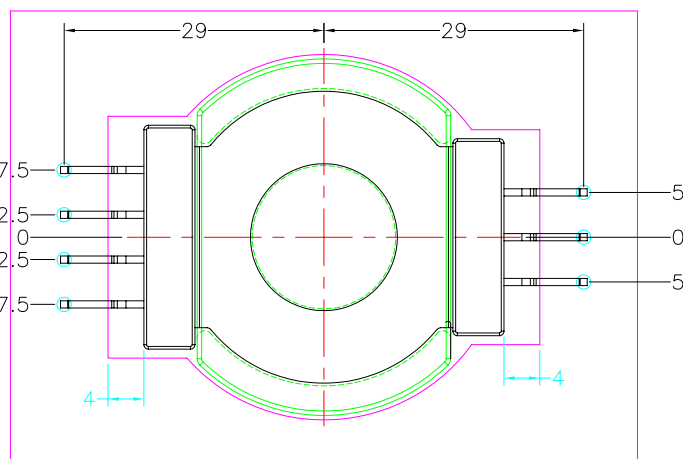
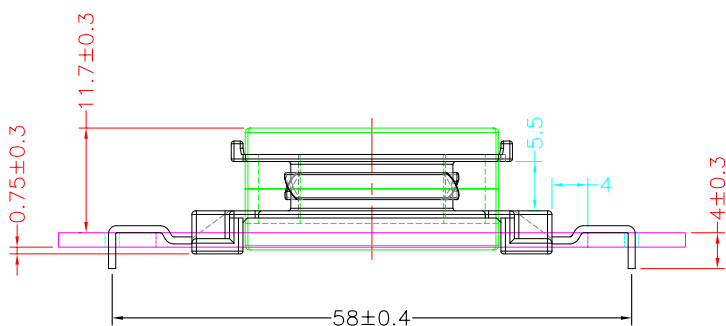
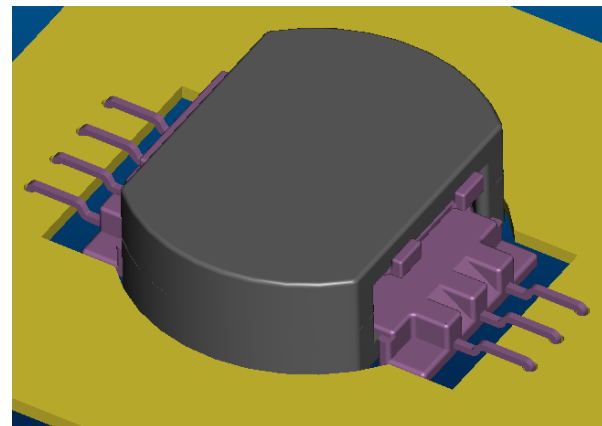
REVISIONS

REV	SYM	DRAFTER	CHECKER	DATE
△2		X.X.YUAN	G.F.YANG	07/04/14
△3				
△4				

TOP



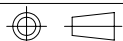
TOP



BOTTOM

BOTTOM

ITEM	PART NO.	MATERIAL	DWG NO.	Core Set Parameters
CORE	CC40/13.5A	JPP-44A		$A_e=183\text{mm}^2$ $L_e=45.5\text{mm}$ $C_1=0.25\text{mm}^{-1}$ $V_e=8326.5\text{mm}^3$
CORE	CC40/13.5A	JPP-95		
BOBBIN	TBI-239-01451.11XX		CC40-13.5A-7P-THT-5.0-4E-11	



UNIT : m / m

SCALE 1 : 1

REV 1