

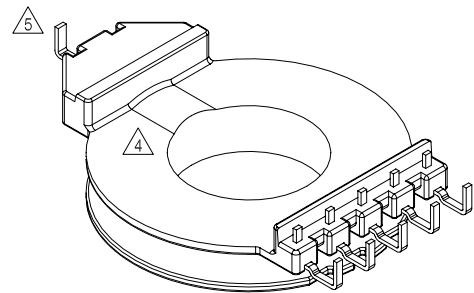
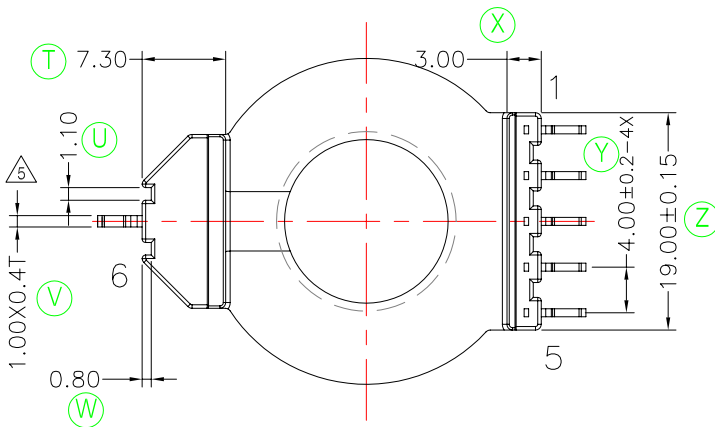
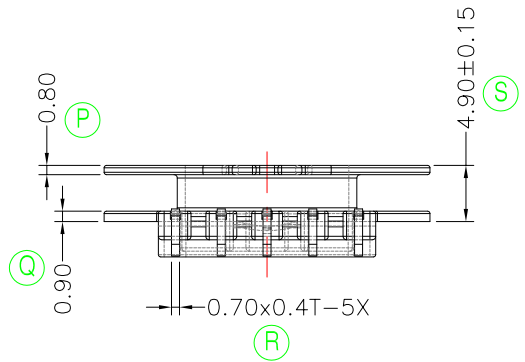
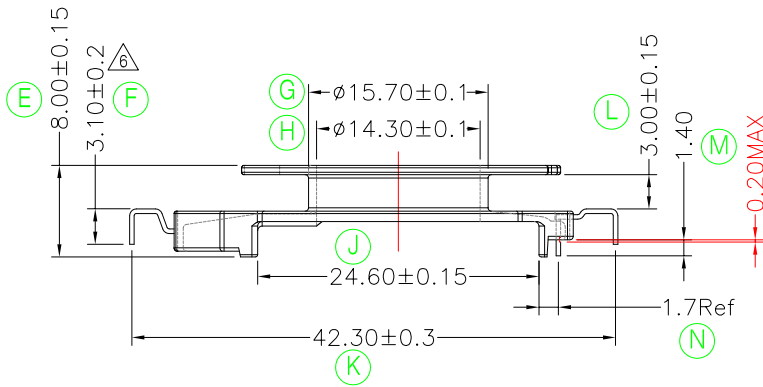
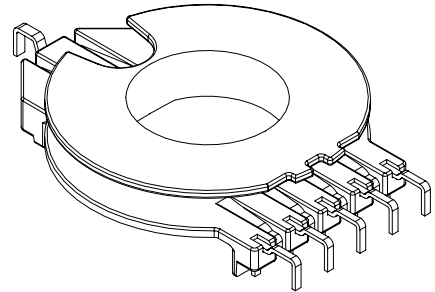
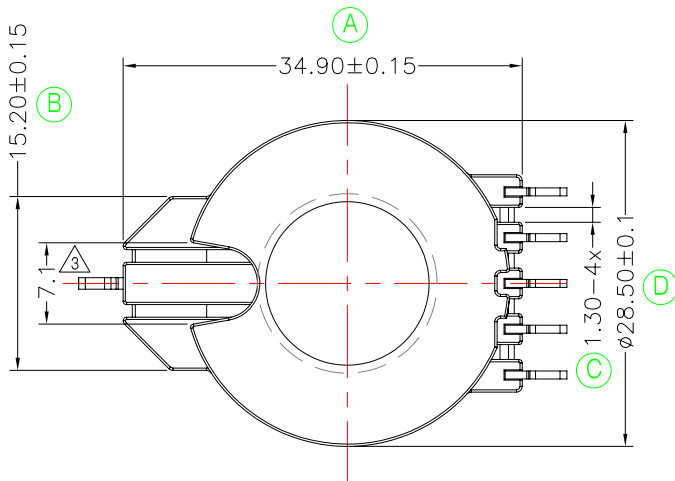


TRANSFORMER BOBBIN
INDUSTRIAL CO.,LTD.

Tel : 86-769-88789999 Fax : 86-769-88789999
http:// tbi-tw.com e-mail : tb6688@ms46.hinet.net

REVISIONS

REV	SYM	DRAFTER	CHECKER	DATE
△4		G.F.YANG	W.H.HSU	03/12/09
△5		G.F.YANG	W.H.HSU	04/06/09
△6		YAN.TANG	G.F.YANG	11/20/09



注: PIN打點可外露0.2MAX;

DWG NO. LEP33/11.2-6P-THL-A-11

PART NO.	MATERIAL (BOBBIN)	MATERIAL (TERMINAL)	TERMINAL (PLATING)	PIN ALLOCATION	NOTE
----------	-------------------	---------------------	--------------------	----------------	------

TBI-236-01011.1106

PM-9630

CP WIRE

Sn

ALL PIN

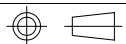
△5 TBI-236-01011.1116

PM-9630

CP WIRE

Sn

CUT PIN #5



TOLERANCE: .XX±0.1 .XXX±0.05

UNIT : m / m

SCALE 1 : 1

Finish: 1. PB wire Immersion Sn on terminal : Thickness:Sn plating,100,5 μm (200 μ inches) min,Base nickel 0.625 μm (25 μ inches) min.
2. CP wire Immersion Sn on terminal : Thickness:Sn plating,100,5 μm (200 μ inches) min.
3. Coplanarity deviation: 0.10 mm (0.004 inches) max.

REV 6