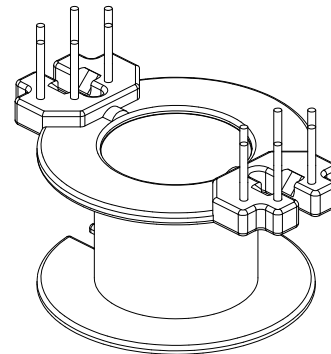
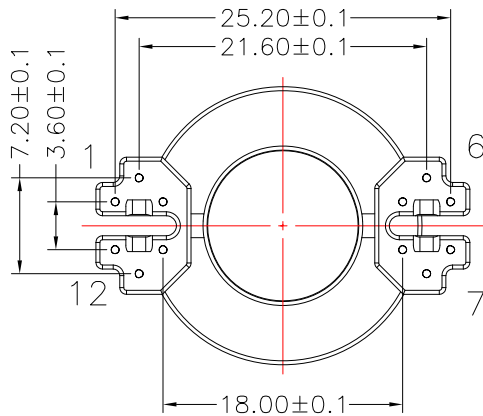
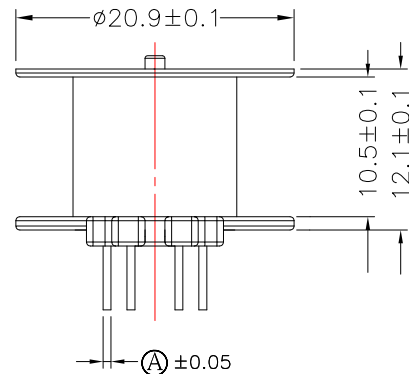
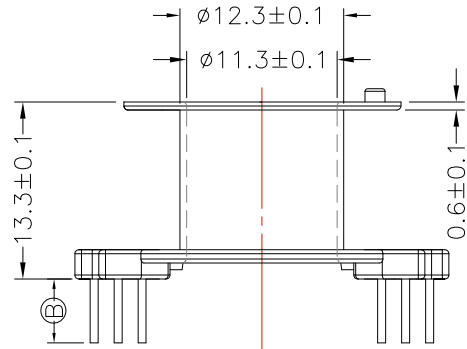
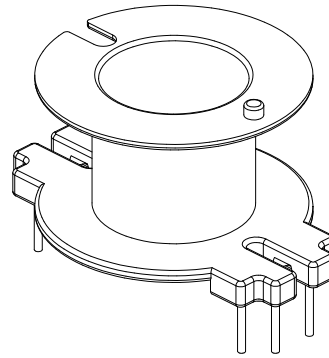
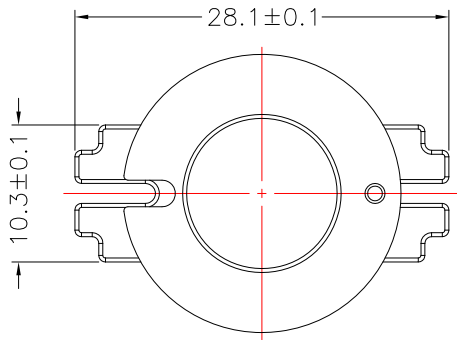




TRANSFORMER BOBBIN
INDUSTRIAL CO.,LTD.

Tel : 86-769-88789999 Fax : 86-769-88789989
http:// tbi-tw.com e-mail : tb6688@ms46.hinet.net

REVISIONS				
REV	SYM	DRAFTER	CHECKER	DATE
△		T.S.LII	W.H.HSU	01/30/07
△		S.Y.TANG	G.F.YANG	11/14/07
△		S.Y.TANG	G.F.YANG	05/30/08



DWG NO. RM10-12P-TH-B-1

PART NO.	MATERIAL (BOBBIN)	MATERIAL (TERMINAL)	TERMINAL (PLATING)	PIN ALLOCATION	NOTE
TBI-208-04021.106	PM-9630	C,P WIRE	Sn	ALL PIN , (A)= \varnothing 0.6 (B)=4.8 \pm 0.3	H
TBI-208-04021.116	PM-9630	C,P WIRE	Sn	Pin cut No.2,5,8,11 (A)= \varnothing 0.6 (B)=4.8 \pm 0.3	
TBI-208-04021.126	PM-9630	C,P WIRE	Sn	Pin cut No.1,2,5,7,8,11,12 (A)= \varnothing 0.6 (B)=4.8 \pm 0.3	
TBI-208-04021.136	PM-9630	C,P WIRE	Sn	ALL PIN , (A)=SQ0.5 (B)=4.8 \pm 0.3	
△ TBI-208-04021.146	PM-9630	C,P WIRE	Sn	ALL PIN , (A)= \varnothing 0.6 (B)= 5.5 \pm 0.3	
△ TBI-208-04021.156	PM-9630	C,P WIRE	Sn	Pin cut No.1,3,4,5,6,9,10,11 (A)= \varnothing 0.6 (B)= 6.0 \pm 0.3	
△ TBI-208-04021.166	PM-9630	C,P WIRE	Sn	Pin cut No.1,3,4,6,9,10,12 (A)= \varnothing 0.6 (B)= 6.5 \pm 0.3	
△ TBI-208-04021.176	PM-9630	C,P WIRE	Sn	Pin cut No.1,3,4,6,8,9,12 (A)= \varnothing 0.6 (B)= 4.5 \pm 0.3	
△ TBI-208-04021.186	PM-9630	C,P WIRE	Sn	Pin cut No.2,5,8,10,11 (A)= \varnothing 0.6 (B)= 4.0 \pm 0.2	
TBI-208-04021.196	PM-9630	C,P WIRE	Sn	Pin cut No.1,2,3,5,8,10,11,12 (A)= \varnothing 0.6 (B)= 4.8 \pm 0.3	
TBI-208-04021.1A6	PM-9630	C,P WIRE	Sn	Pin cut No.1,2,3,5,8,10,11,12 (A)= \varnothing 0.6 (B)= 5.0 \pm 0.2	
TBI-208-04021.1B6	PM-9630	C,P WIRE	Sn	Pin cut No.1,2,3,5,8,10,11,12 (A)= \varnothing 0.6 (B)= 6.0 \pm 0.3	
TBI-208-04021.1C6	PM-9630	C,P WIRE	Sn	Pin cut No.1,3,4,6,7,9,10,12 (A)= \varnothing 0.6 (B)= 5.0 \pm 0.2	
TBI-208-04021.1D6	PM-9630	C,P WIRE	Sn	ALL PIN , (A)= \varnothing 0.6 (B)= 5.0 \pm 0.2	
TBI-208-04021.1E6	PM-9630	C,P WIRE	Sn	Pin cut No.1,2,3,5,10,11,12 (A)= \varnothing 0.6 (B)= 6.0 \pm 0.2	52GRM1012P0A

TOLERANCE: .X \pm 0.15 .XX \pm 0.10 .XXX \pm 0.05 UNIT : m / m SCALE 2 : 1

Finish: 1. Pb wire Immersion Sn on terminal : Thickness:Sn plating,100,5 μ m (200 μ inches) min,Base nickel 0.625 μ m (25 μ inches) min.
2. CP wire Immersion Sn on terminal : Thickness:Sn plating,100,5 μ m (200 μ inches) min.
3. Coplanarity deviation: 0.10 mm (0.004 inches) max.

REV 9