

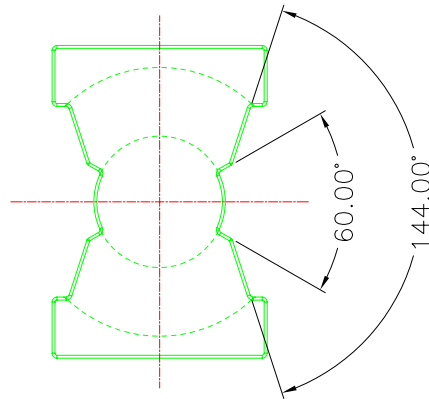
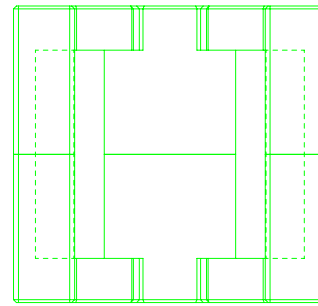
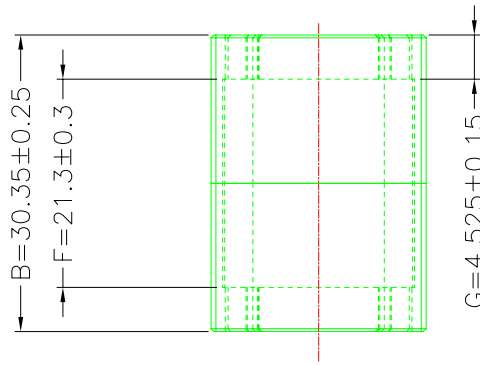
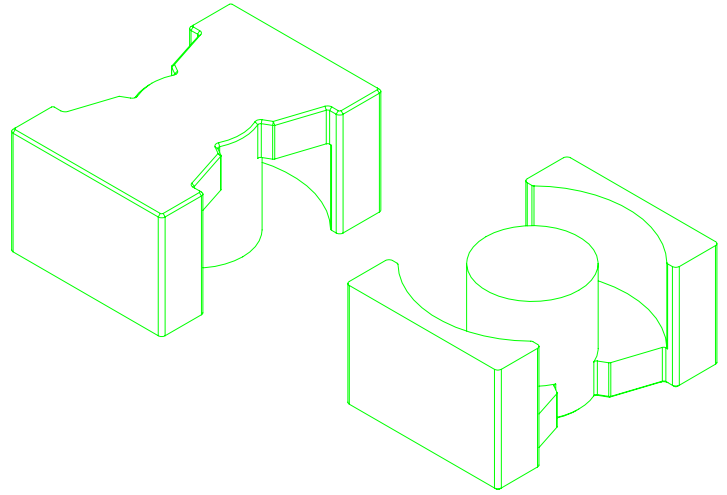
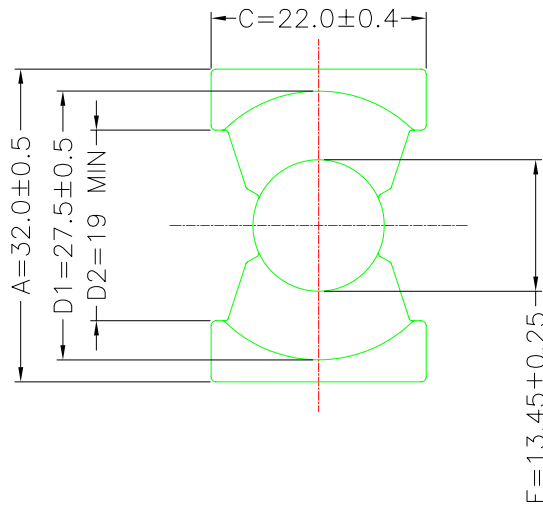


# A-CORE

ELECTRICAL CO.

A-CORE JIANGMEN ELECTRONICS CO.,LTD  
 江門安磁電子有限公司  
 Tel : 86-750-3867791 Fax : 86-750-3867787

REVISIONS				
REV	SYM	DRAFTER	CHECKER	DATE
1		G.F.YANG	W.H.HSU	11/10/09
2				
3				



$A_e=153\text{mm}^2$   
 $L_e=68.3\text{mm}$   
 $C1=0.446\text{mm}^{-1}$   
 $V_e=10449.9\text{mm}^3$

DWG NO.	PQ32/30- CORE				
PART NO.	MATERIAL (CORE)	MATERIAL (TERMINAL)	TERMINAL (PLATING)	PIN ALLOCATION	NOTE
PQ32/30	JPP-44A				
PQ32/30	JPP-95				

Finish:	TOLERANCE: $0 < L \leq 4: \pm 0.1$ $4 < L \leq 16: \pm 0.2$ $16 < L \leq 63: \pm 0.3$	UNIT : m / m	SCALE 1 : 1	
			REV	1

**A-CORE**

A-CORE JIANGMEN ELECTRONICS CO.,LTD  
 江門安磁電子有限公司

**TBI**

TRANSFORMER BOBBIN  
 INDUSTRIAL CO.,LTD.

ELECTRICAL CO. Tel : 86-750-3867791 Fax : 86-750-3867787

Tel : 86-769-88789999 Fax : 86-769-88789989

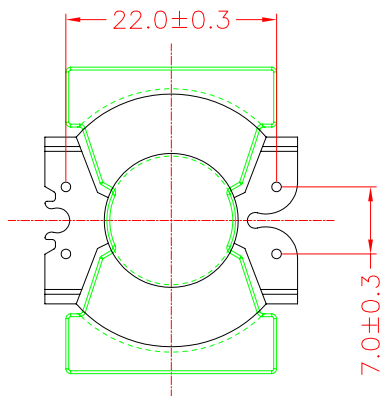
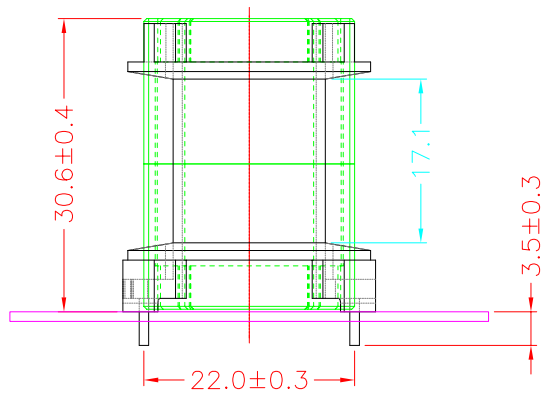
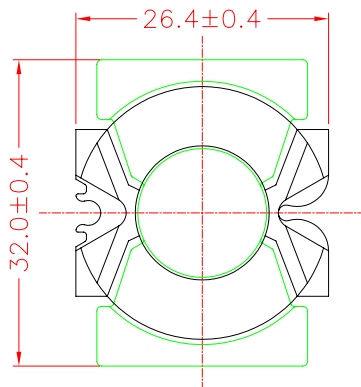
e-mail : sales@acore-ferrite.com

http:// tbi-tw.com e-mail : tb6688@ms46.hinet.net

REVISIONS

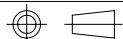
REV	SYM	DRAFTER	CHECKER	DATE
△1		S.Y.TANG	G.F.YANG	08/14/08
△2				
△3				

TOP



BOTTOM

ITEM	PART NO.	MATERIAL	DWG NO.	Core Set Parameters
CORE	PQ32/30	JPP-44A		$A_e=153\text{mm}^2$ $L_e=68.3\text{mm}$ $C_1=0.446\text{mm}^{-1}$ $V_e=10449.9\text{mm}^3$
CORE	PQ32/30	JPP-95		
BOBBIN	TBI-216-02041.11XX		PQ3230-4P-TH-7.0-D-11	



UNIT : m/m

SCALE 1:1

REV 1