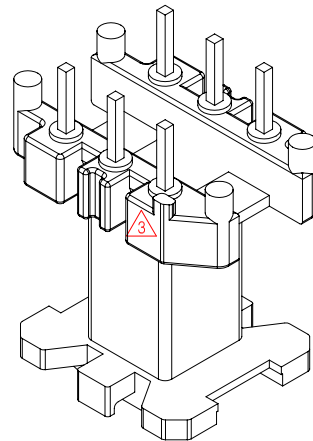
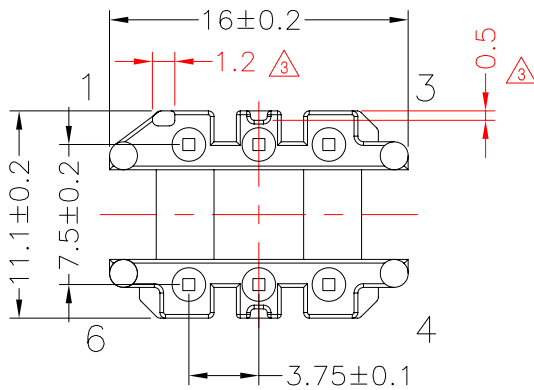
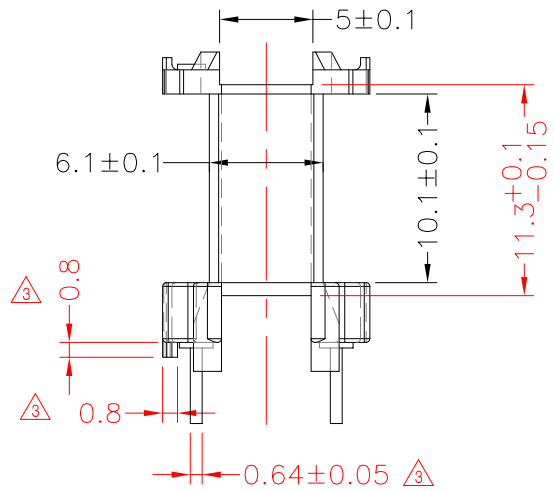
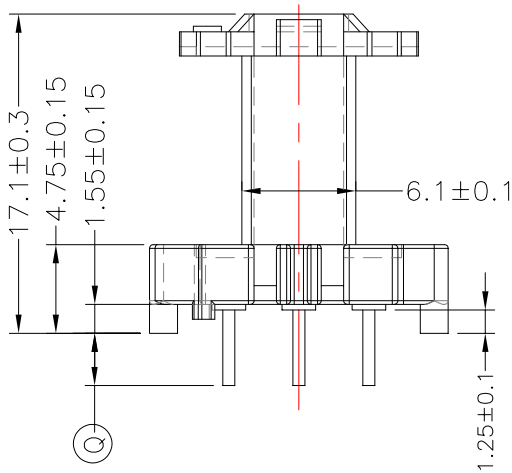
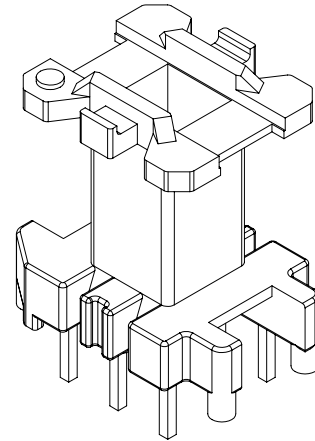
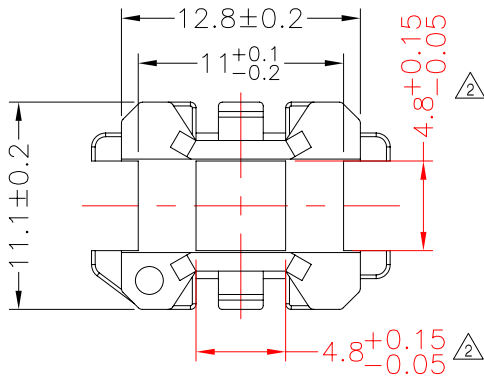




**TRANSFORMER BOBBIN
INDUSTRIAL CO.,LTD.**

Tel : 86-769-88789999 Fax : 86-769-88789999
http:// tbi-tw.com e-mail : tb6688@ms46.hinet.net

REVISIONS				
REV	SYM	DRAFTER	CHECKER	DATE
①		T.S.LII	W.H.HSU	12/19/06
②		T.S.LII	W.H.HSU	03/24/07
③		X.H.GU	G.F.YANG	08/16/11



DWG NO.	EF16-6P-TH-3.75-B-1			PIN ALLOCATION	NOTE
PART NO.	MATERIAL (BOBBIN)	MATERIAL (TERMINAL)	TERMINAL (PLATING)		
TBI-205-02021.106	PM9630	C.P WIRE	Sn	ALL PIN ①=2.8±0.3	S
TBI-205-02021.116	PM9630	C.P WIRE	Sn	PIN CUT # 2,5,①=2.8±0.3	H
TBI-205-02021.126	PM9630	C.P WIRE	Sn	PIN CUT # 5,①=3.5±0.3	
TBI-205-02021.136	PM9630	C.P WIRE	Sn	PIN CUT # 3,4,5,①=2.3±0.3	
TBI-205-02021.146	PM9630	C.P WIRE	Sn	PIN CUT # 2,①=3.5±0.3	
TBI-205-02021.156	PM9630	C.P WIRE	Sn	PIN CUT # 1,4,6,①=3.1±0.2	暫無刀模
TBI-205-02021.166	PM9630	C.P WIRE	Sn	PIN CUT # 1,3,4,6,①=3.1±0.2	52GEF166P009
	TOLERANCE: .X±0.15 .XX±0.10 .XXX±0.05			UNIT : m/m	SCALE 2.5 : 1

Finish: 1. PB wire Immersion Sn on terminal : Thickness:Sn plating,100,5 μm (200 μ inches) min,Base nickel 0.625 μm (25 μ inches) min.
2. CP wire Immersion Sn on terminal : Thickness:Sn plating,100,5 μm (200 μ inches) min.
3. Coplanarity deviation: 0.10 mm (0.004 inches)max.

REV	3
-----	---