

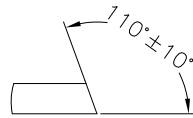
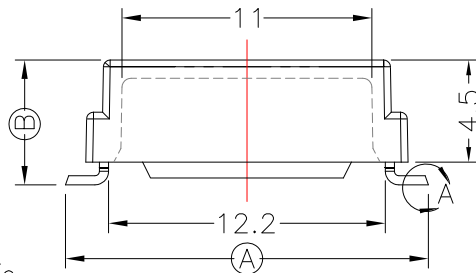
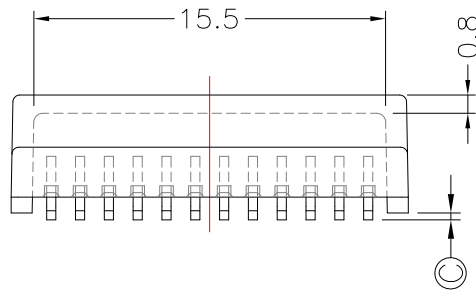
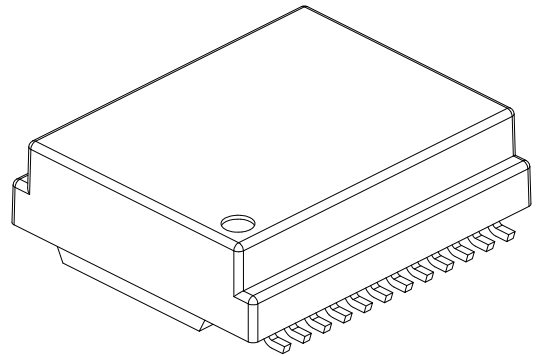
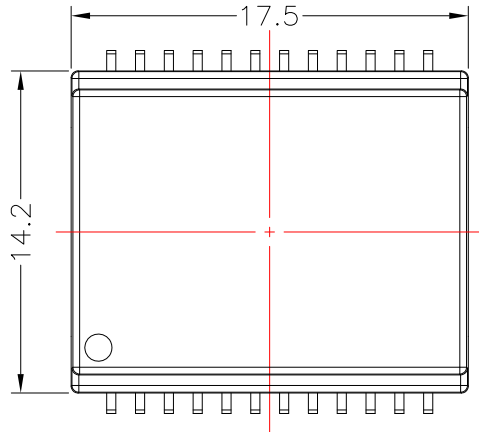


TRANSFORMER BOBBIN INDUSTRIAL CO.,LTD.

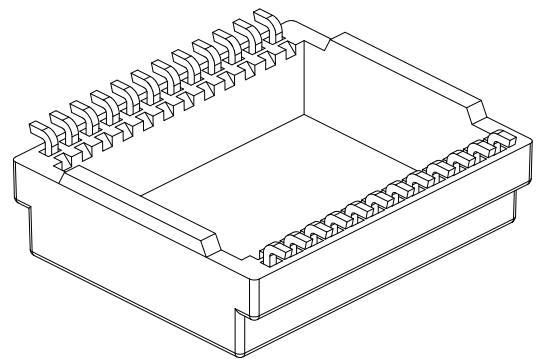
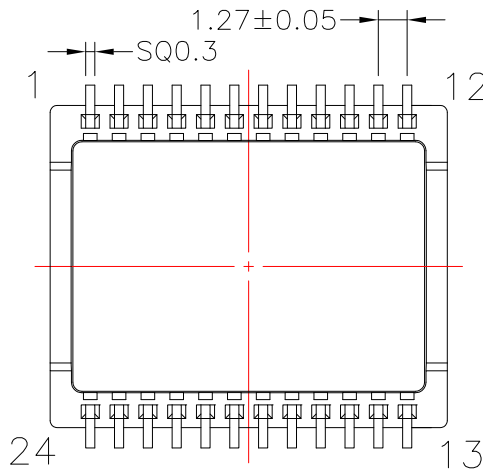
Tel : 86-769-88789999 Fax : 86-769-88789989
 http:// tbi-tw.com e-mail : tb6688@ms46.hinet.net

REVISIONS

REV	SYM	DRAFTER	CHECKER	DATE
①		YAN.TANG	G.F.YANG	02/04/09
②				
③				



DETAIL A-10:1
PATENTED



DWG NO. C1217-24P-L-1.27-B-11

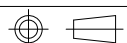
PART NO.	MATERIAL (BOBBIN)	MATERIAL (TERMINAL)	TERMINAL (PLATING)	PIN ALLOCATION	NOTE
----------	-------------------	---------------------	--------------------	----------------	------

TBI-113-29021.1103	PM-9630JT	PB	Sn	ALL PIN(A)=16.0±0.15 (B)=5.4±0.15(C)=0.2	S
--------------------	-----------	----	----	--	---

TBI-113-29021.1113	PM-9630JT	PB	Sn	ALL PIN(A)=15.24±0.15 (B)=5.4±0.15(C)=0.2	H
--------------------	-----------	----	----	---	---

TBI-113-29021.1123	PM-9630JT	PB	Sn	ALL PIN(A)=16.0±0.15 (B)=6.0±0.15 (C)=0.8	
--------------------	-----------	----	----	---	--

TBI-113-29021.1133	PM-9630JT	PB	Sn	ALL PIN(A)=15.24±0.15 (B)=6.5±0.15(C)=1.3	
--------------------	-----------	----	----	---	--



TOLERANCE: .X±0.15 .XX±0.10 .XXX±0.05

UNIT : m / m

SCALE 3 : 1

Finish: 1. PB wire Immersion Sn on terminal : Thickness:Sn plating,100%,5 μm (200 μ inches) min,Base nickel 0.625 μm (25 μ inches) min.
 2. CP wire Immersion Sn on terminal : Thickness:Sn plating,100%,5 μm (200 μ inches) min.
 3. Coplanarity deviation: 0.10 mm (0.004 inches) max.

REV 1