

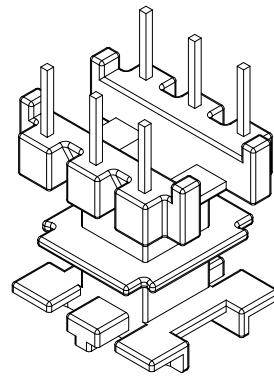
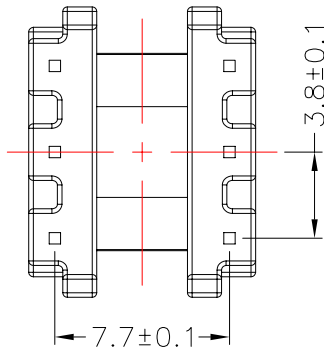
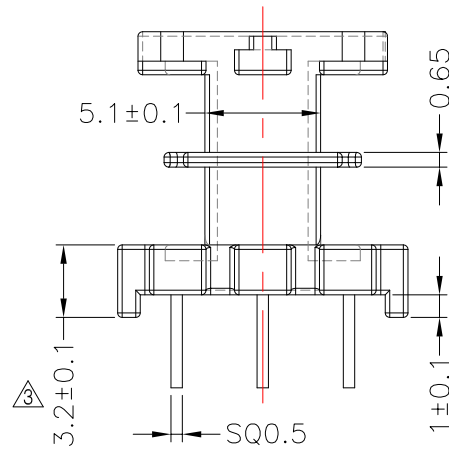
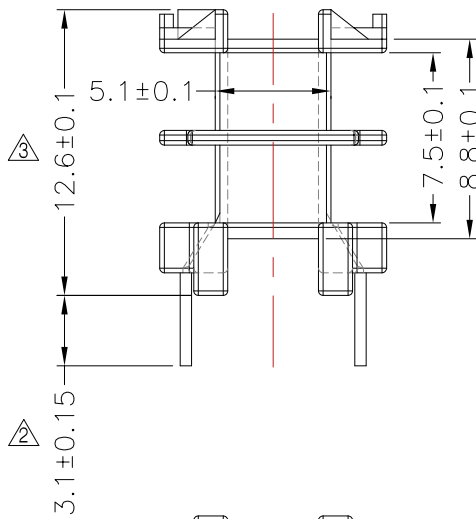
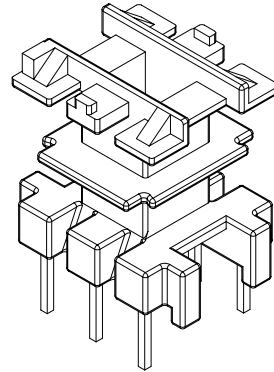
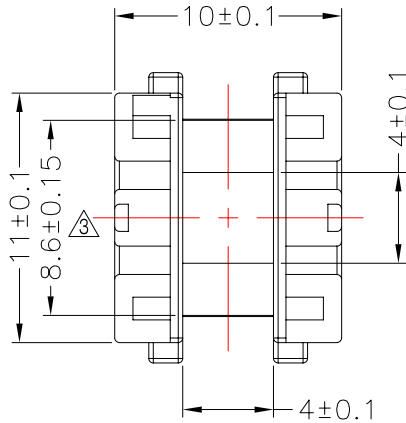


TRANSFORMER BOBBIN
INDUSTRIAL CO.,LTD.

Tel : 86-769-88789999 Fax : 86-769-88789989
http:// tbi-tw.com e-mail : tb6688@ms46.hinet.net

REVISIONS

| REV | SYM | DRAFTER | CHECKER | DATE |
|-----|-----|----------|----------|----------|
| ① | | S.Y.TANG | G.F.YANG | 02/28/08 |
| ② | | S.Y.TANG | G.F.YANG | 06/04/08 |
| ③ | | S.Y.TANG | G.F.YANG | 07/09/08 |



DWG NO. EF12.6-6P-TH-3.8-H-11-2S

| PART NO. | MATERIAL (BOBBIN) | MATERIAL (TERMINAL) | TERMINAL (PLATING) | PIN ALLOCATION | NOTE |
|--------------------|-------------------|---------------------|--------------------|----------------|------|
| TBI-205-01082.1106 | PM-9630 | C.P WIRE | Sn | ALL PIN | |
| TBI-205-01082.1116 | PM-9630 | C.P WIRE | Sn | PIN 5 NO | |
| TBI-205-01082.1126 | PM-9630 | C.P WIRE | Sn | PIN 2,5 NO | |
| | | | | | |
| | | | | | |

TBI-205-01082.1106

PM-9630

C.P WIRE

Sn

ALL PIN

TBI-205-01082.1116

PM-9630

C.P WIRE

Sn

PIN 5 NO

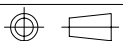
TBI-205-01082.1126

PM-9630

C.P WIRE

Sn

PIN 2,5 NO



TOLERANCE : .X ±0.15 .XX ±0.10 .XXX ±0.05

UNIT : m / m

SCALE 3 : 1

Finish: 1. Pb wire Immersion Sn on terminal : Thickness:Sn plating,100,5 μm (200 μ inches) min,Base nickel 0.625 μm (25 μ inches) min.
2. CP wire Immersion Sn on terminal : Thickness:Sn plating,100,5 μm (200 μ inches) min.
3. Coplanarity deviation: 0.10 mm (0.004 inches) max.

REV 3