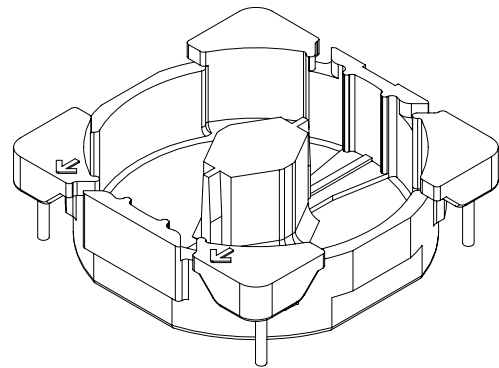
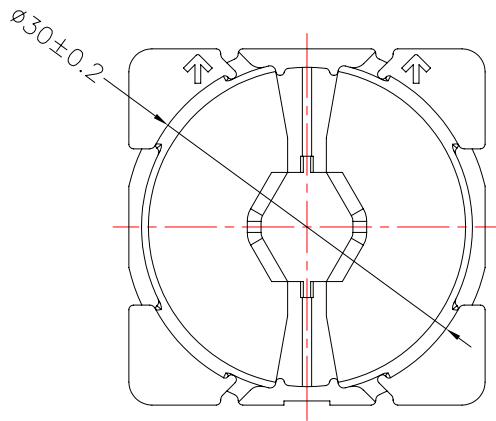
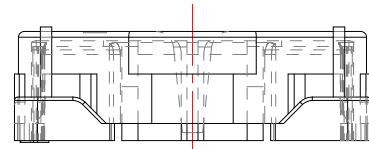
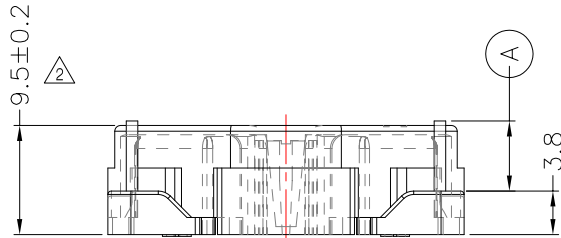
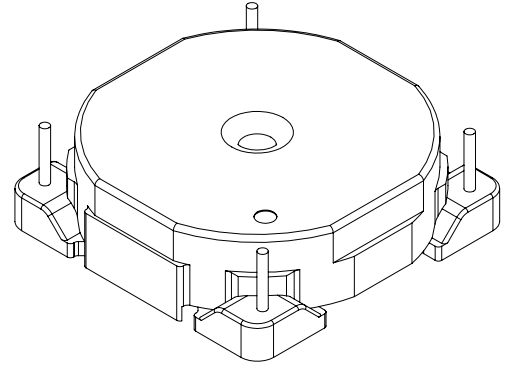
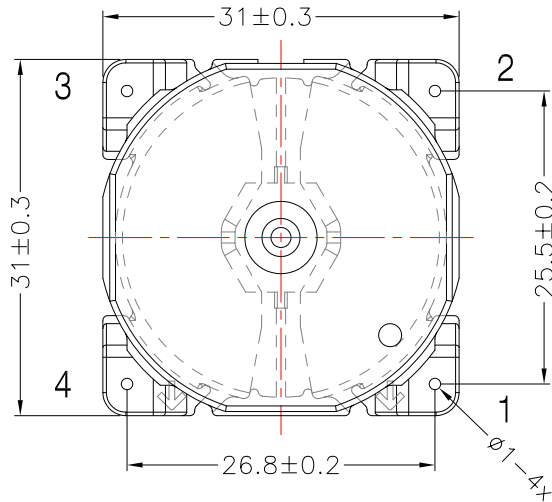




**TRANSFORMER BOBBIN
INDUSTRIAL CO.,LTD.**

Tel : 86-769-88789999 Fax : 86-769-88789989
 http:// tbi-tw.com e-mail : tb6688@ms46.hinet.net

REVISIONS				
REV	SYM	DRAFTER	CHECKER	DATE
1		X.H.GU	G.F.YANG	11/30/09
2		X.H.GU	G.F.YANG	12/25/09
3				



DWG NO.	OR25X4-15-BASE-E-12				
PART NO.	MATERIAL (BOBBIN)	MATERIAL (TERMINAL)	TERMINAL (PLATING)	PIN ALLOCATION	NOTE
TBI-220-16051.1206	PM-9820	CP WIRE	Sn	ALL PIN (A) = 6.1±0.3 2	
TBI-220-16051.1216	PM-9820	CP WIRE	Sn	ALL PIN (A) = 9.1±0.3 2	
TBI-220-16051.1226	PM-9820	CP WIRE	Sn	ALL PIN (A) = 9.3±0.3	
TBI-220-16051.1236	PM-9820	CP WIRE	Sn	ALL PIN (A) = 5.4±0.3	
	TOLERANCE: 0<L<=4:±0.1 4<L<=16:±0.2 16<L<=63:±0.3			UNIT : m / m	SCALE 1 : 1

Finish: 1. PB wire Immersion Sn on terminal : Thickness:Sn plating,100,5 μm (200 μ inches) min,Base nickel 0.625 μm (25 μ inches) min.
 2. CP wire Immersion Sn on terminal : Thickness:Sn plating,100,5 μm (200 μ inches) min.
 3. Coplanarity deviation: 0.10 mm (0.004 inches) max.

REV 2

A-COREA-CORE JIANGMEN ELECTRONICS CO.,LTD
江門安磁電子有限公司

ELECTRICAL CO. Tel : 86-750-3867791 Fax : 86-750-3867787

e-mail : sales@acore-ferrite.com

TBITRANSFORMER BOBBIN
INDUSTRIAL CO.,LTD.

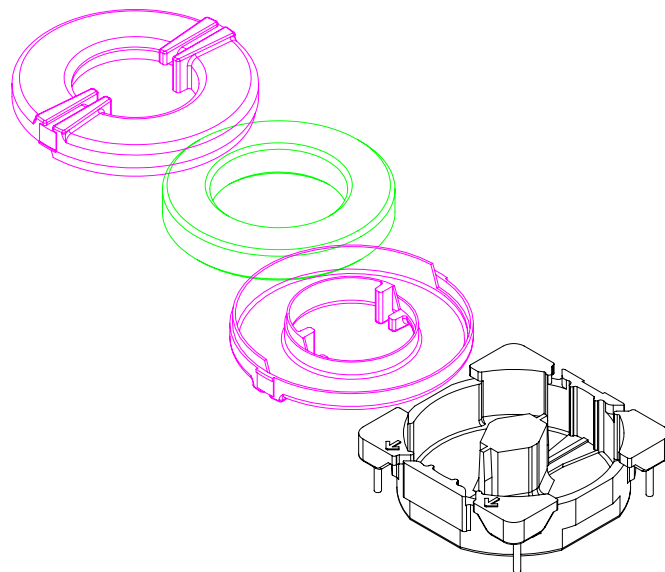
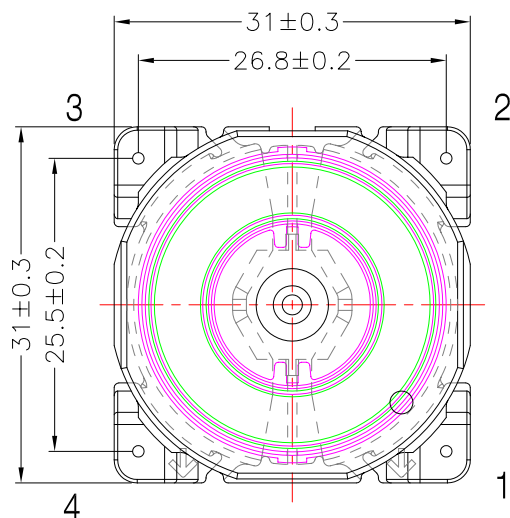
Tel : 86-769-88789999 Fax : 86-769-88789989

http:// tbi-tw.com e-mail : tb6688@ms46.hinet.net

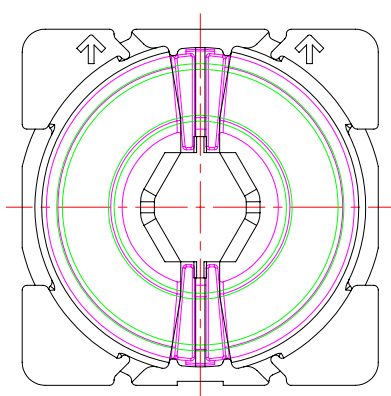
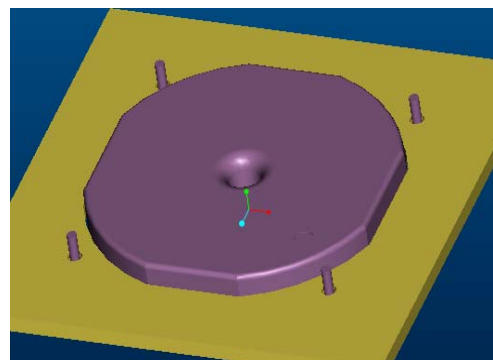
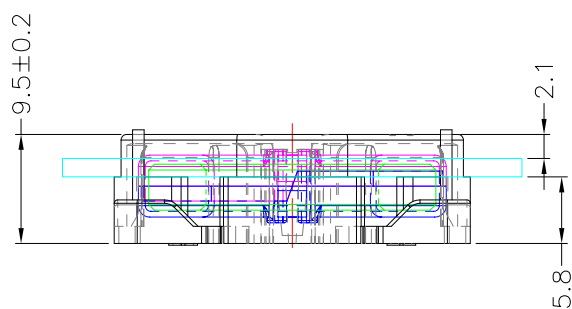
REVISIONS

REV	SYM	DRAFTER	CHECKER	DATE
△1		X.H.GU	G.F.YANG	11/30/09
△2		X.H.GU	G.F.YANG	12/25/09
△3				

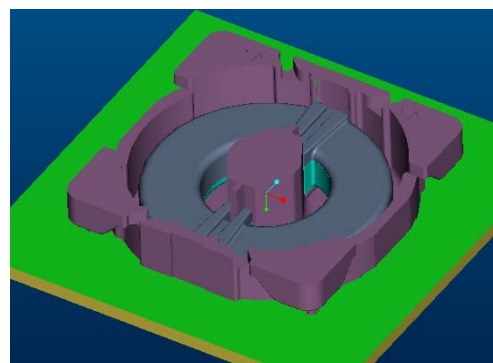
TOP



TOP

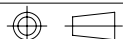


BOTTOM



BOTTOM

ITEM	PART NO.	MATERIAL	DWG NO.	Core Set Parameters
CORE	OR25X4-15	JPH-10F		$A_e=19.6\text{mm}^2$ $L_e=60.2\text{mm}$ $C_1=3.08\text{mm}^{-1}$ $V_e=1179.92\text{mm}^3$
BASE	TBI-220-16051.1206		OR25X4-15-BASE-E-12	
CAP	TBI-220-16061.51		OR25X4-15-CAP-F-51	



UNIT : m/m

SCALE 1 : 1

REV

2