

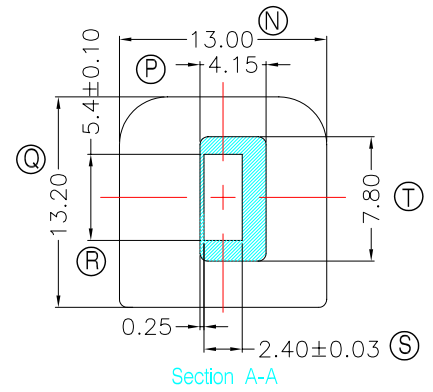
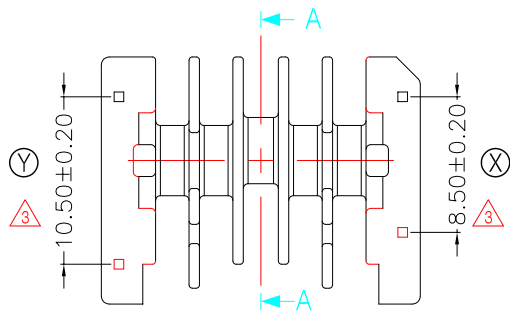
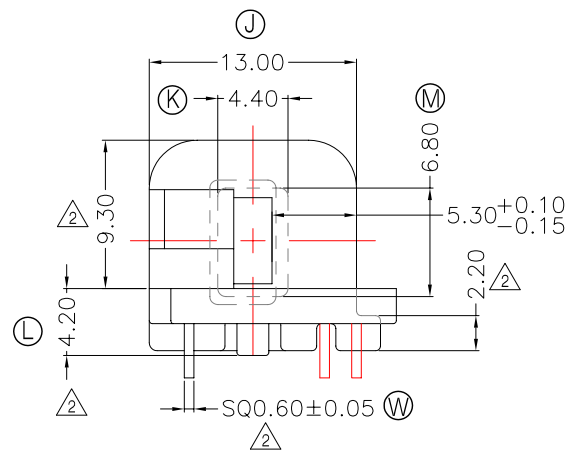
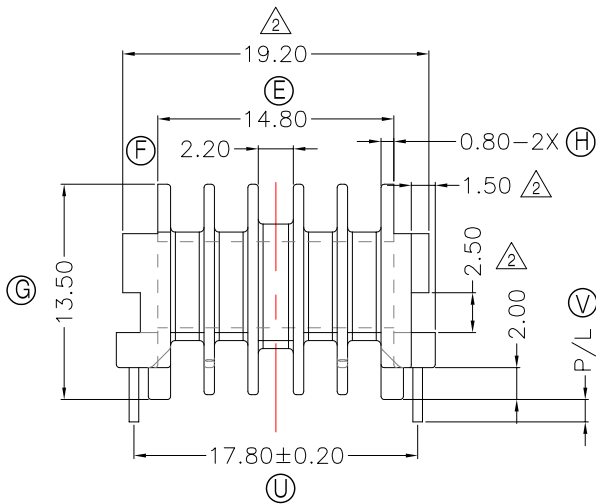
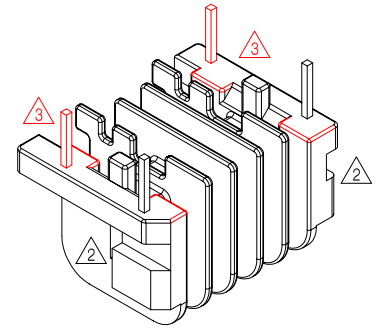
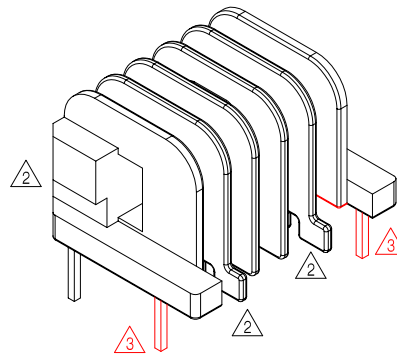
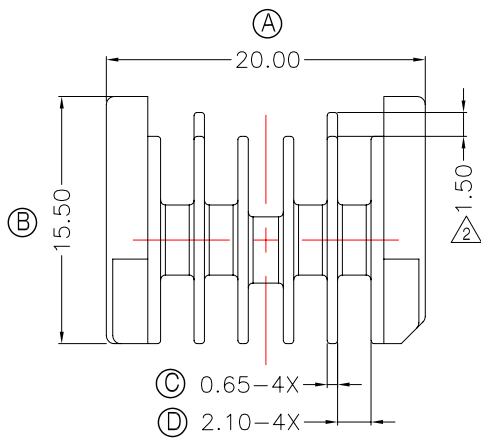


TRANSFORMER BOBBIN INDUSTRIAL CO.,LTD.

Tel : 86-769-88789999 Fax : 86-769-88789989
 http:// tbi-tw.com e-mail : tb6688@ms46.hinet.net

REVISIONS

REV	SYM	DRAFTER	CHECKER	DATE
①		X.H.GU	G.F.YANG	06/23/14
②		X.H.GU	G.F.YANG	09/05/14
③		X.H.GU	G.F.YANG	01/30/14

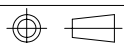


NOTE:

- 耐壓4.0Kv /1.5mA 60S;
- 焊錫溫度:450°±10° 3SEC
- 焊錫前拉力:1.0KG MIN,焊錫後拉力:1.5KG MIN;
- 任意一點強度須2.0kg MIN(其中中間葉片強度1.0KG MIN);

DWG NO. EI20-4P-TH-A-11-5S

PART NO.	MATERIAL (BOBBIN)	MATERIAL (TERMINAL)	TERMINAL (PLATING)	PIN ALLOCATION	NOTE
TBI-202-12015.1106	PM-9630	CP WIRE	Sn	ALL PIN P/L=1.4±0.2	S
TBI-202-12015.1116	PM-9630	CP WIRE	Sn	ALL PIN P/L=1.0±0.2	H
TBI-202-12015.1126	PM-9630	CP WIRE	Sn	ALL PIN P/L=3.0±0.2	



TOLERANCE: 0<L<=4: ±0.1 4<L<=16: ±0.2 16<L<=63: ±0.3

UNIT : m / m

SCALE 1 : 1

Finish: 1. PB wire Immersion Sn on terminal : Thickness:Sn plating,100%,5 μm (200 μ inches) min,Base nickel 0.625 μm (25 μ inches) min.
 2. CP wire Immersion Sn on terminal : Thickness:Sn plating,100%,5 μm (200 μ inches) min.
 3. Coplanarity deviation: 0.10 mm (0.004 inches) max.

REV 3