

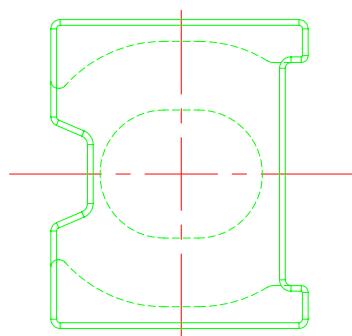
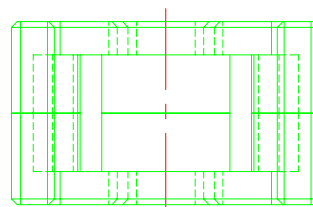
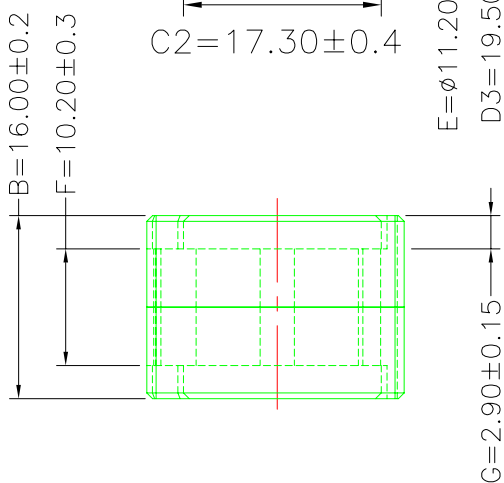
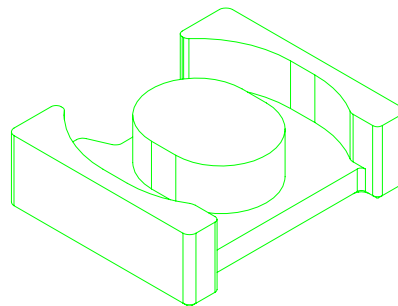
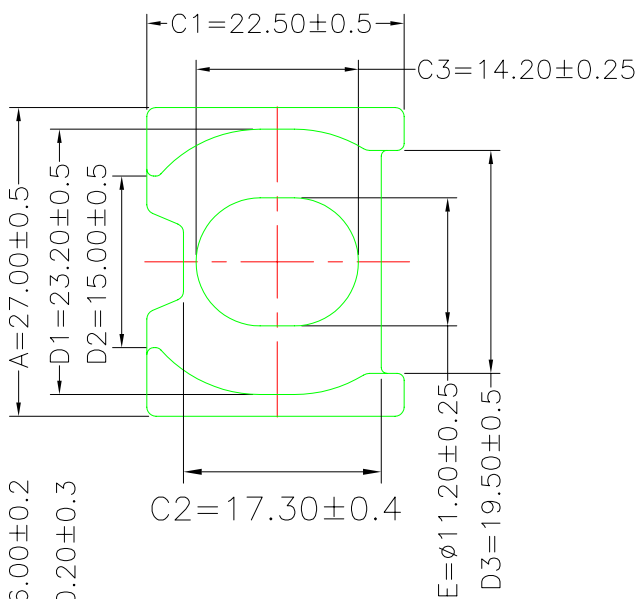


# A-CORE

ELECTRICAL CO.

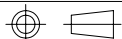
A-CORE JIANGMEN ELECTRONICS CO.,LTD  
 江门安磁电子有限公司  
 Tel: 86-750-3867791 Fax: 86-750-3867787

REVISIONS				
REV	SYM	DRAFTER	CHECKER	DATE
①		G.F.YANG	W.H.HSU	11/15/10
②				
③				



$A_e = 129.3 \text{ mm}^2$   
 $L_e = 47.5 \text{ mm}$   
 $C_1 = 0.37 \text{ mm}^{-1}$   
 $V_e = 6141.75 \text{ mm}^3$

DWG NO.	ATQ27/16-1-CORE			
PART NO.	MATERIAL (CORE)			NOTE
ATQ27/16-1	JPP-44A			
ATQ27/16-1	JPP-95			



TOLERANCE:  $0 < L \leq 4 \pm 0.1$   $4 < L \leq 16 \pm 0.2$   $16 < L \leq 63 \pm 0.3$

UNIT : m / m

SCALE 1 : 1

REV 1

**A-CORE**

A-CORE JIANGMEN ELECTRONICS CO.,LTD  
 江門安磁電子有限公司

**TBI**

TRANSFORMER BOBBIN  
 INDUSTRIAL CO.,LTD.

ELECTRICAL CO. Tel : 86-750-3867791 Fax : 86-750-3867787

Tel : 86-769-88789999 Fax : 86-769-88789989

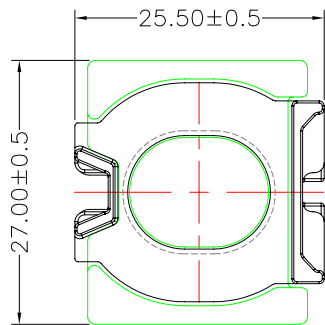
e-mail : sales@acore-ferrite.com

http:// tbi-tw.com e-mail : tb6688@ms46.hinet.net

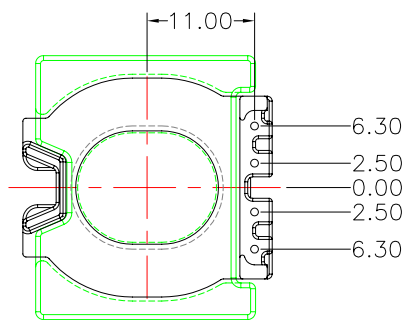
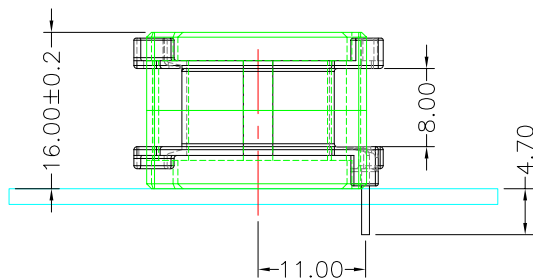
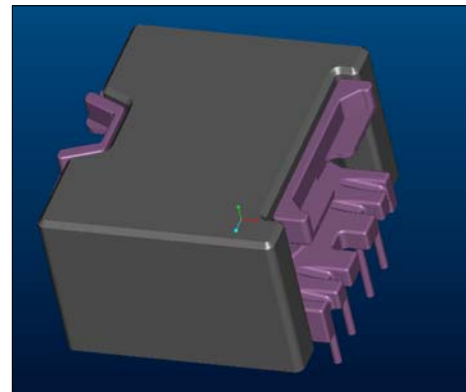
REVISIONS

REV	SYM	DRAFTER	CHECKER	DATE
△1		X.X.YUAN	G.F.YANG	06/04/15
△2				
△3				

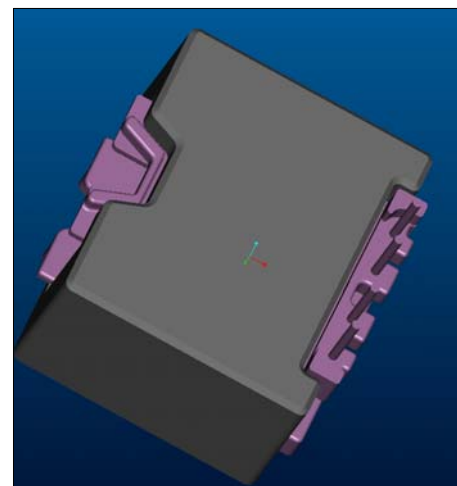
TOP



TOP

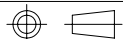


BOTTOM



BOTTOM

ITEM	PART NO.	MATERIAL	DWG NO.	Core Set Parameters
CORE	ATQ27/16-1	JPP-44A		Ae=129.3mm <sup>2</sup> Le=47.5mm C1=0.37mm <sup>-1</sup> Ve=6141.75mm <sup>3</sup>
CORE	ATQ27/16-1	JPP-95		
BOBBIN	TBI-238-03261.11XX		ATQ27-16-1-4P-TH-B6-11	



UNIT : m / m

SCALE 1 : 1

REV 1