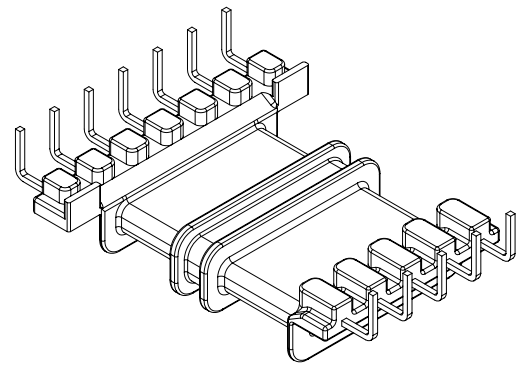
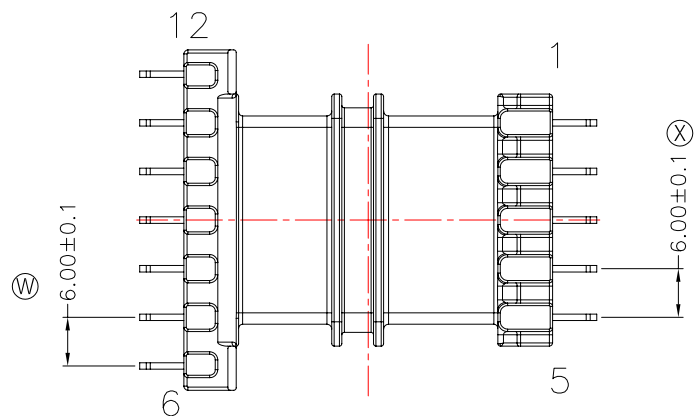
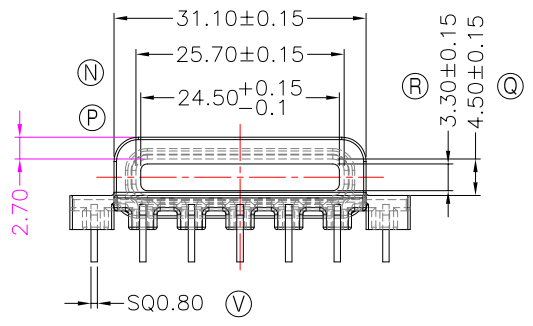
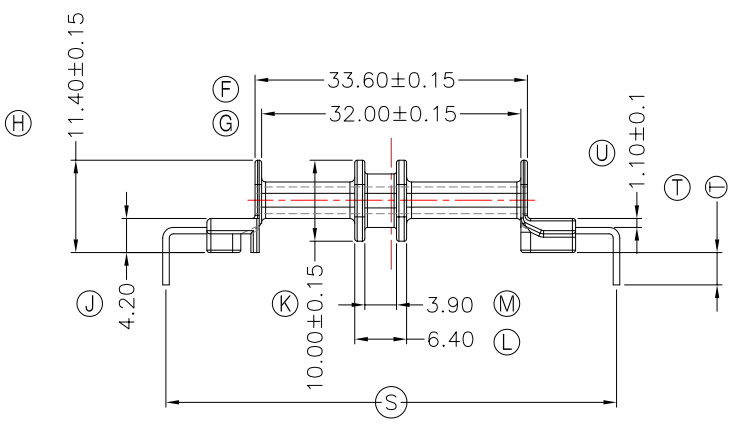
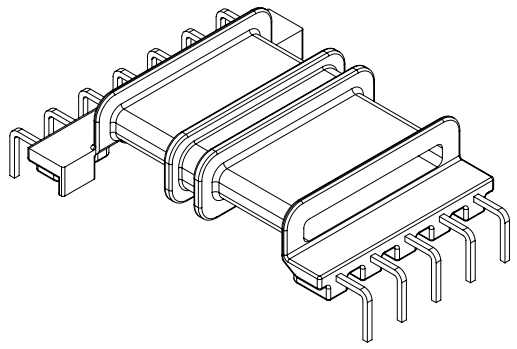
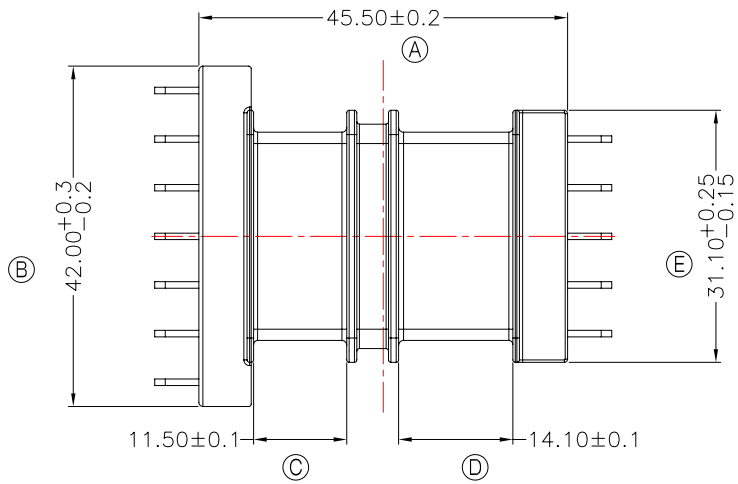




**TRANSFORMER BOBBIN
INDUSTRIAL CO.,LTD.**

Tel : 86-769-88789999 Fax : 86-769-88789989
http:// tbi-tw.com e-mail : tb6688@ms46.hinet.net

REVISIONS				
REV	SYM	DRAFTER	CHECKER	DATE
1		G.F.YANG	W.H.HSU	08/19/09
2				
3				



NOTE:
WINDING SPACE: $(11.5+14.1)*2.7\text{mm}=69.12\text{mm}^2$

DWG NO.	EFD45-49.4-12P-THT-0A-11				
PART NO.	MATERIAL (BOBBIN)	MATERIAL (TERMINAL)	TERMINAL (PLATING)	PIN ALLOCATION	NOTE
TBI-207-08011.1106	PM-9630	CP WIRE	Sn	ALL PIN $\text{S}=55.6\pm0.4$ $\text{T}=4.0\pm0.3$	S
TBI-207-08011.1116	PM-9630	CP WIRE	Sn	CUT PIN#2 $\text{S}=56.0\pm0.2$ $\text{T}=4.0\pm0.3$	H
TBI-207-08011.1126	PM-9630	CP WIRE	Sn	CUT PIN#1,2,4,10 $\text{S}=55.6\pm0.4$ $\text{T}=4.0\pm0.3$	
TBI-207-08011.1136	PM-9630	CP WIRE	Sn	ALL PIN $\text{S}=55.6\pm0.4$ $\text{T}=3.5\pm0.3$	
TBI-207-08011.1146	PM-9630	CP WIRE	Sn	CUT PIN#1,2,4 $\text{S}=56.0\pm0.2$ $\text{T}=4.0\pm0.3$	
TBI-207-08011.1156	PM-9630	CP WIRE	Sn	CUT PIN#1,3,4 $\text{S}=55.6\pm0.4$ $\text{T}=4.0\pm0.3$	
TBI-207-08011.1166	PM-9630	CP WIRE	Sn	ALL PIN $\text{S}=56.0\pm0.4$ $\text{T}=3.5\pm0.3$	
	TOLERANCE: .X \pm 0.15 .XX \pm 0.10 .XXX \pm 0.05			UNIT : m / m	SCALE 1 : 1

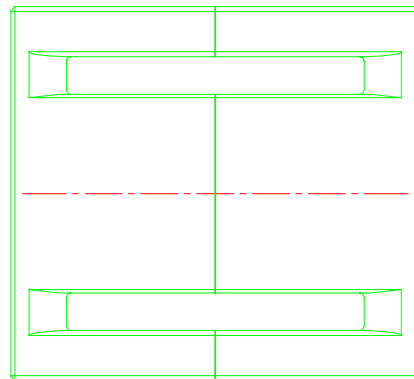
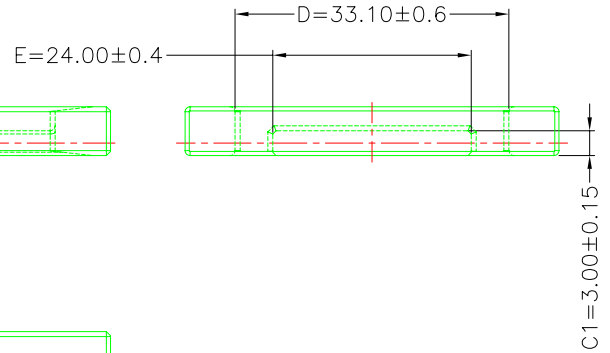
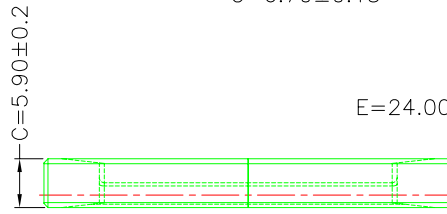
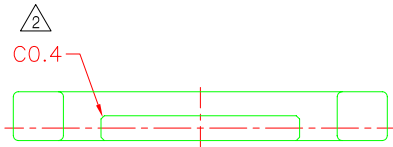
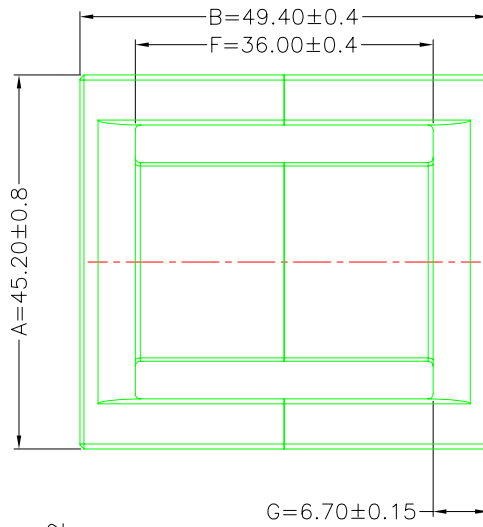
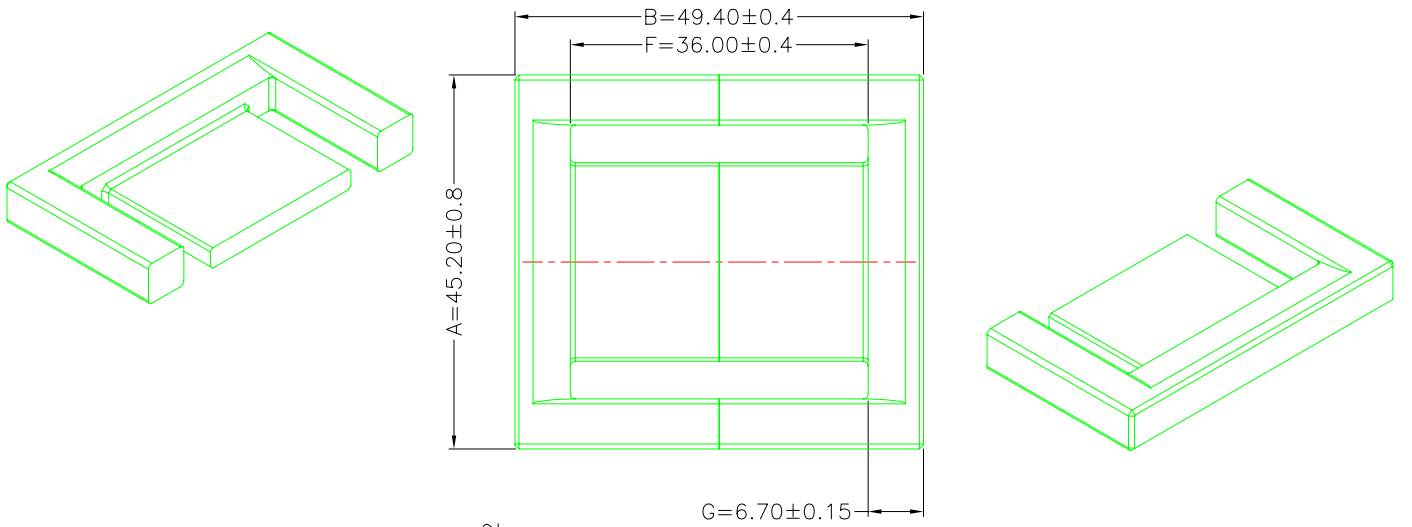
Finish: 1. PB wire Immersion Sn on terminal : Thickness:Sn plating,100,5 μm (200 μinches) min,Base nickel 0.625 μm (25 μinches) min.
2. CP wire Immersion Sn on terminal : Thickness:Sn plating,100,5 μm (200 μinches) min.
3. Coplanarity deviation: 0.10 mm (0.004 inches)max.

REV 1

A-CORE
ELECTRICAL CO.

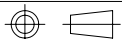
A-CORE JIANGMEN ELECTRONICS CO.,LTD
 江门安磁电子有限公司
 Tel : 86-750-3867791 Fax : 86-750-3867787

REVISIONS				
REV	SYM	DRAFTER	CHECKER	DATE
1		G.F.YANG	W.H.HSU	08/18/09
2		G.F.YANG	W.H.HSU	10/23/09
3				



$A1(\text{Limbs})=70.77\text{mm}^2$
 $A2(\text{back wall})=79.06\text{mm}^2$
 $A3(\text{center post})=71.45\text{mm}^2$
 $Ae=73\text{mm}^2$
 $Le=106\text{mm}$
 $C1=1.45\text{mm}^{-1}$
 $Ve=7738\text{mm}^3$

DWG NO.	EFD45 /49.4 CORE				
PART NO.	MATERIAL (BOBBIN)	MATERIAL (TERMINAL)	TERMINAL (PLATING)	PIN ALLOCATION	NOTE
EFD45 /49.4	JPP-44A				
EFD45 /49.4	JPP-95				



Finish:

UNIT : m/m

SCALE 1 : 1

REV 2

A-CORE

A-CORE JIANGMEN ELECTRONICS CO.,LTD
江門安磁電子有限公司

TBI

TRANSFORMER BOBBIN
INDUSTRIAL CO.,LTD.

ELECTRICAL CO. Tel : 86-750-3867791 Fax : 86-750-3867787

Tel : 86-769-88789999 Fax : 86-769-88789989

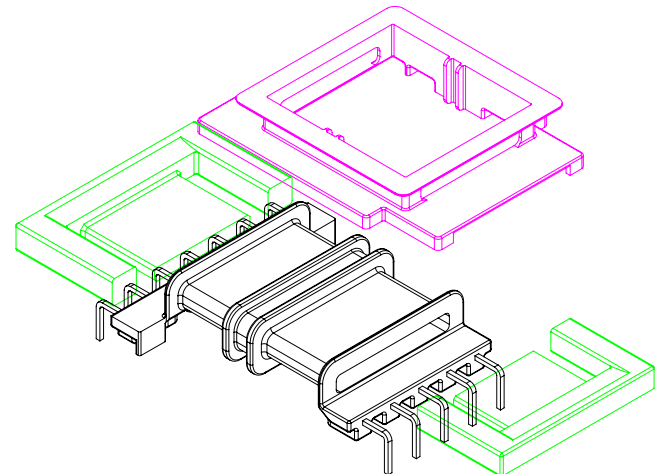
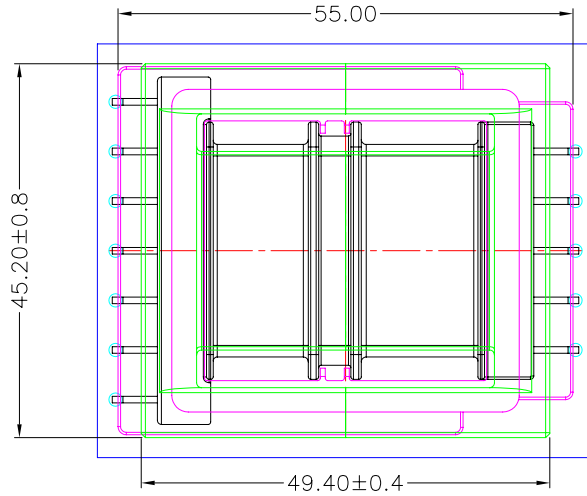
e-mail : sales@acore-ferrite.com

http:// tbi-tw.com e-mail : tb6688@ms46.hinet.net

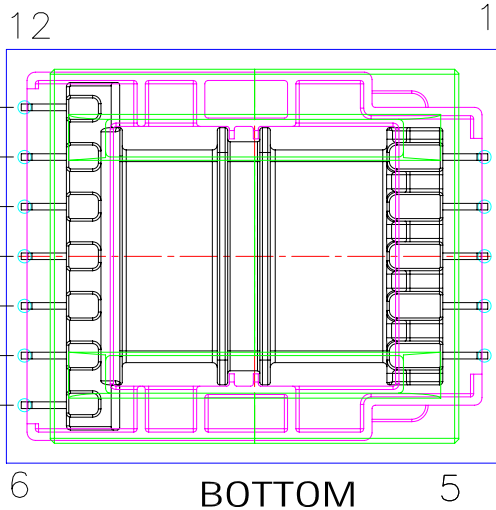
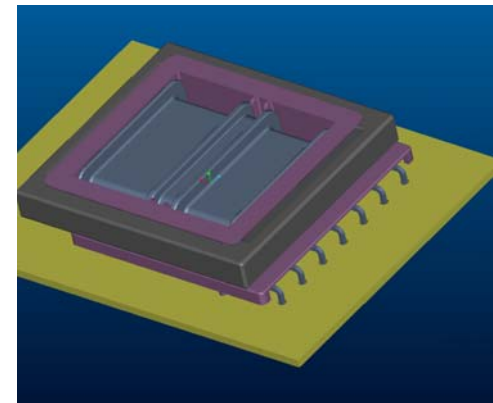
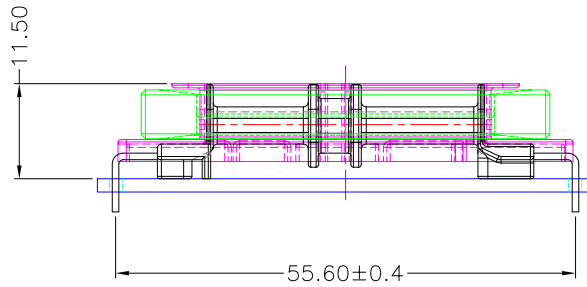
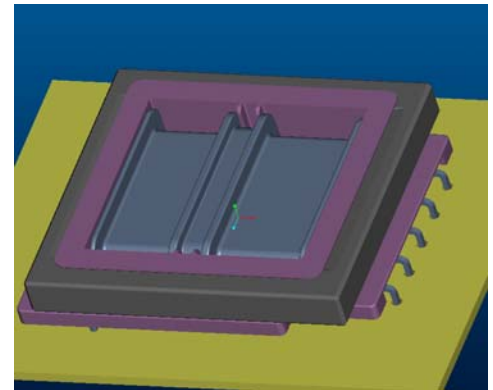
REVISIONS

REV	SYM	DRAFTER	CHECKER	DATE
△1		G.F.YANG	W.H.HSU	08/19/09
△2				
△3				

TOP



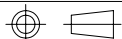
TOP



BOTTOM

BOTTOM

ITEM	PART NO.	MATERIAL	DWG NO.	Core Set Parameters
CORE	EFD45-49.4	JPP-44A		$A_e=73\text{mm}^2$ $L_e=106\text{mm}$ $C_1=1.45\text{mm}^{-1}$ $V_e=7738\text{mm}^3$
CORE	EFD45-49.4	JPP-95		
BOBBIN	TBI-207-08011.11XX		EFD45-49.4-12P-THT-0A-11	
CASE	TBI-207-08021.91C		EFD45-49.4-CASE-B-91	



UNIT : m/m

SCALE 1 : 1

REV 1