

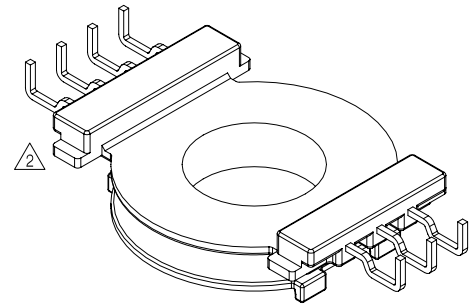
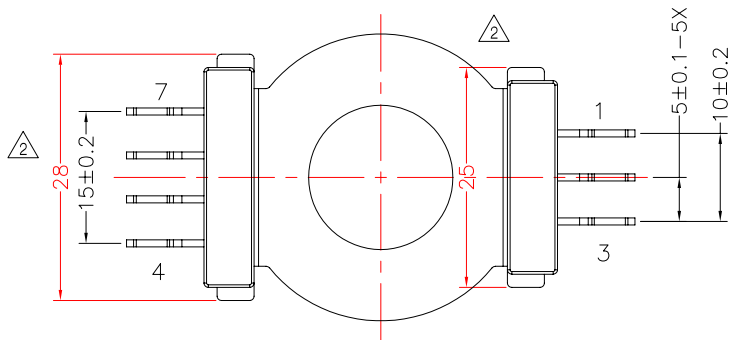
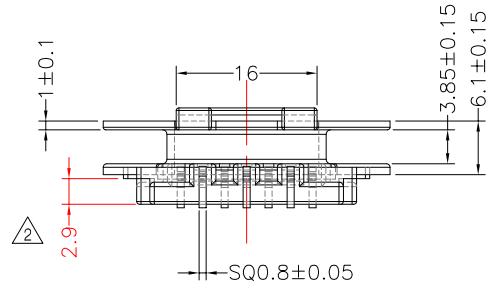
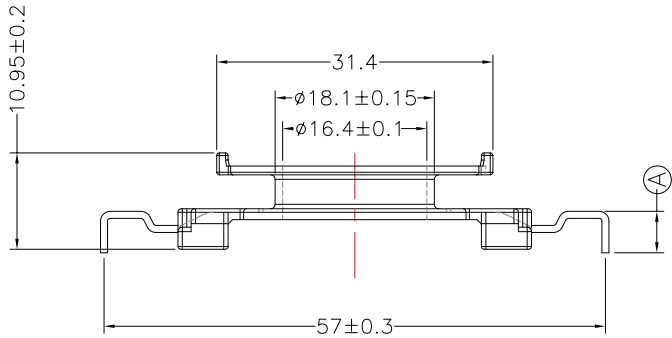
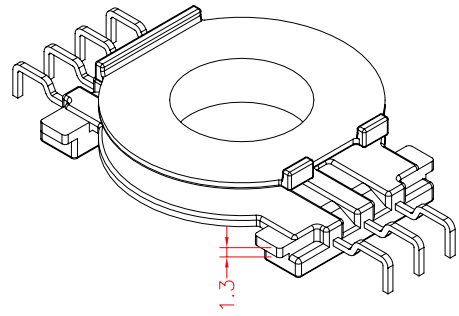
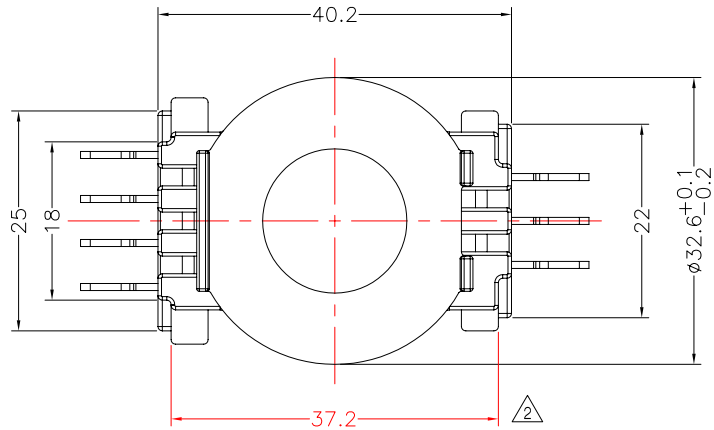


TRANSFORMER BOBBIN
INDUSTRIAL CO.,LTD.

Tel : 86-769-88789999 Fax : 86-769-88789989
http:// tbi-tw.com e-mail : tb6688@ms46.hinet.net

REVISIONS

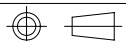
REV	SYM	DRAFTER	CHECKER	DATE
①		YAN.TANG	G.F.YANG	02/03/10
②		X.H.GU	G.F.YANG	04/23/10
③				



焊錫前拉力:1.5KG MIN
焊錫後拉力:2.04KG MIN
任意一點強度須3.0kg MIN;

DWG NO. CC40-12.6A-7P-THT-5.0-1B-12

PART NO.	MATERIAL (BOBBIN)	MATERIAL (TERMINAL)	TERMINAL (PLATING)	PIN ALLOCATION	NOTE
TBI-239-01121.1206	PM-9820	CP WIRE	Sn	ALL PIN (A) =4.7±0.2	S
TBI-239-01121.1216	PM-9820	CP WIRE	Sn	ALL PIN (A) =4.5±0.2	H



TOLERANCE: 0<L<=4:±0.1 4<L<=16:±0.2 16<L<=63:±0.3

UNIT : m / m

SCALE 1 : 1

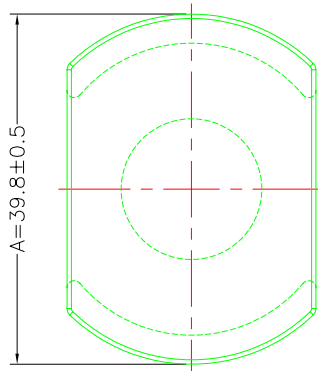
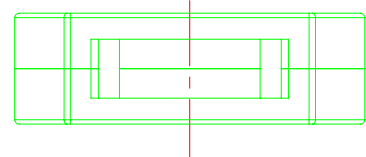
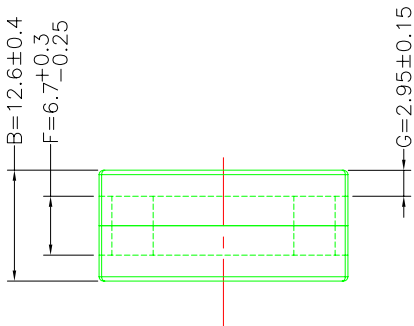
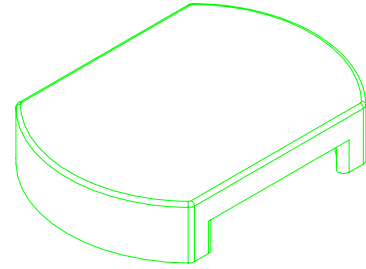
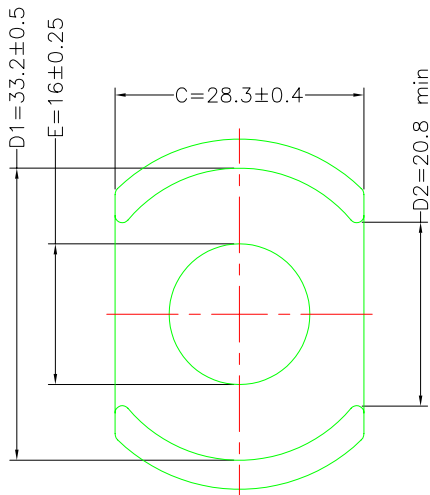
Finish: 1. PB wire Immersion Sn on terminal : Thickness:Sn plating,100,5 μm (200 μ inches) min,Base nickel 0.625 μm (25 μ inches) min.
2. CP wire Immersion Sn on terminal : Thickness:Sn plating,100,5 μm (200 μ inches) min.
3. Coplanarity deviation: 0.10 mm (0.004 inches) max.

REV 2

A-CORE
ELECTRICAL CO.

A-CORE JIANGMEN ELECTRONICS CO.,LTD
江門安磁電子有限公司
Tel : 86-750-3867791 Fax : 86-750-3867787

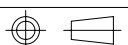
REVISIONS				
REV	SYM	DRAFTER	CHECKER	DATE
△1		YAN.TANG	G.F.YANG	02/03/10
△2				
△3				



Cross section area

- A1 (Limbs) = 214.4mm²
- A2(Back wall) = 166.97mm²
- A3(Center post) = 201.1mm²
- Ae=185mm²
- Le=41.5mm
- C1=0.224mm⁻¹
- Ve=7677.5mm³

DWG NO.	CC40/12.6A-CORE				
PART NO.	MATERIAL (BOBBIN)	MATERIAL (TERMINAL)	TERMINAL (PLATING)	PIN ALLOCATION	NOTE
CC40/12.6A	JPP-44A				
CC40/12.6A	JPP-95				



TOLERANCE: .XX±0.1 .XXX±0.05

UNIT : m/m

SCALE 1 : 1

REV 1

A-CORE

A-CORE JIANGMEN ELECTRONICS CO.,LTD
 江門安磁電子有限公司

TBI

TRANSFORMER BOBBIN
 INDUSTRIAL CO.,LTD.

ELECTRICAL CO. Tel : 86-750-3867791 Fax : 86-750-3867787

Tel : 86-769-88789999 Fax : 86-769-88789989

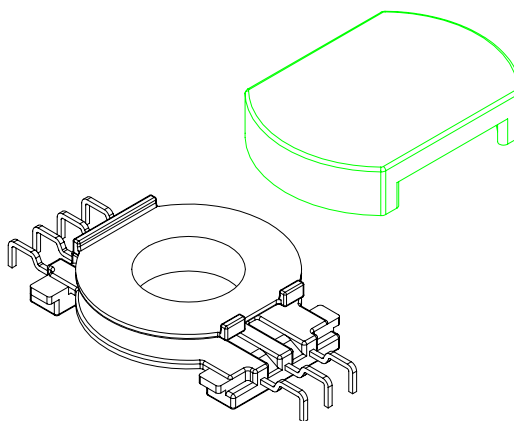
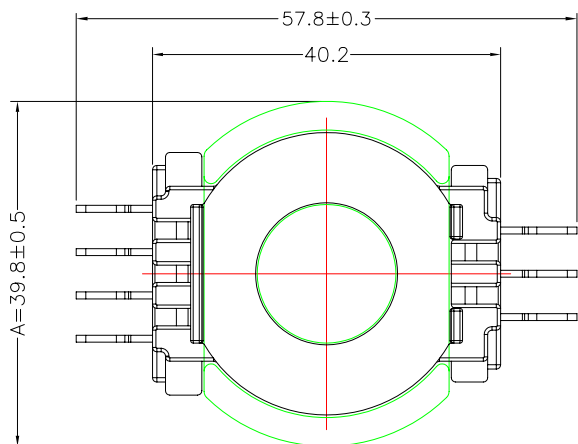
e-mail : sales@acore-ferrite.com

http:// tbi-tw.com e-mail : tb6688@ms46.hinet.net

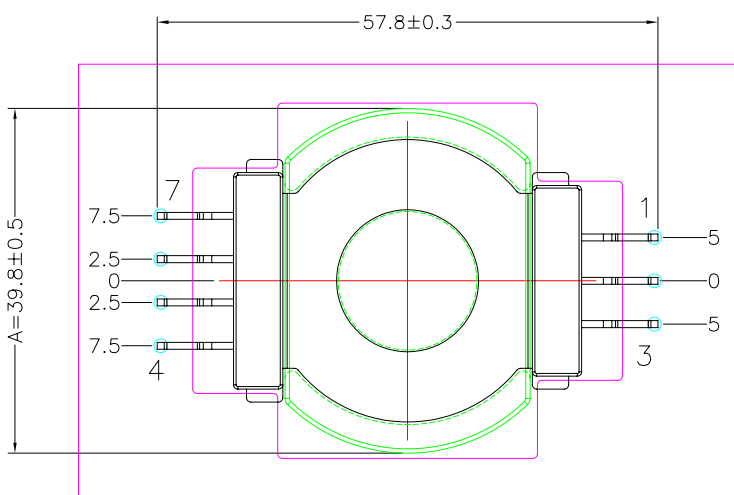
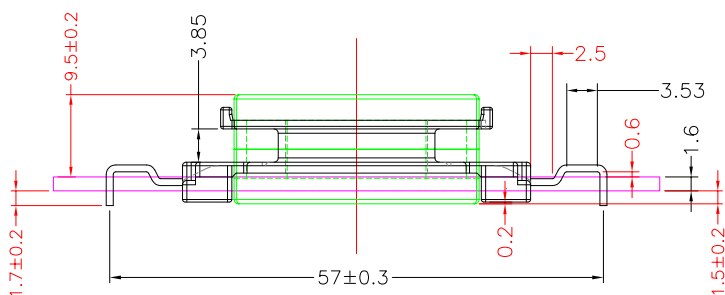
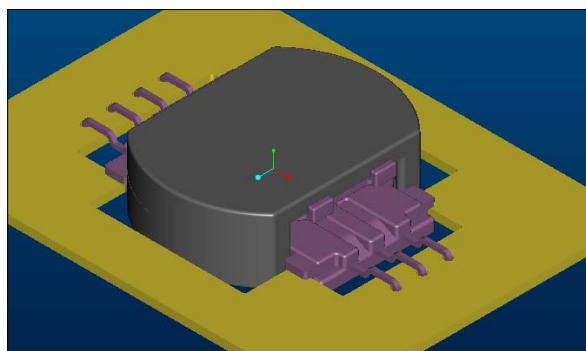
REVISIONS

REV	SYM	DRAFTER	CHECKER	DATE
△1		YAN.TANG	G.F.YANG	02/03/10
△2		X.H.GU	G.F.YANG	04/23/10
△3				

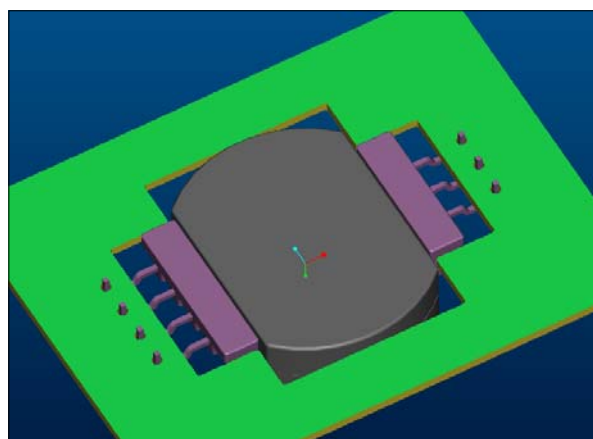
TOP



TOP



BOTTOM

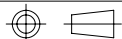


BOTTOM

ITEM	PART NO.	MATERIAL	DWG NO.
CORE	CC40/12.6A	JPP-44A	
CORE	CC40/12.6A	JPP-95	
BOBBIN	TBI-239-01121.12XX		CC40-12.6A-7P-THT-5.0-1B-12

Core Set Parameters

Ae=185mm²
 Le=41.5mm
 C1=0.224mm⁻¹
 Ve=7677.5mm³



UNIT : m/m

SCALE 1 : 1

REV 2