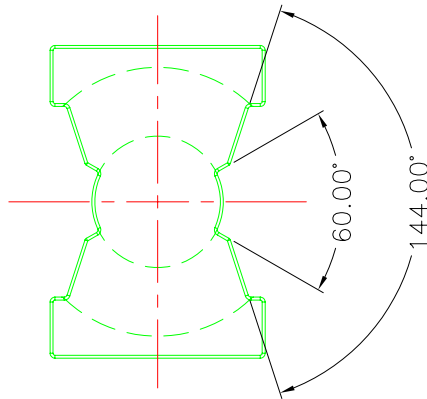
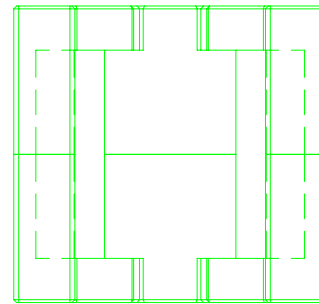
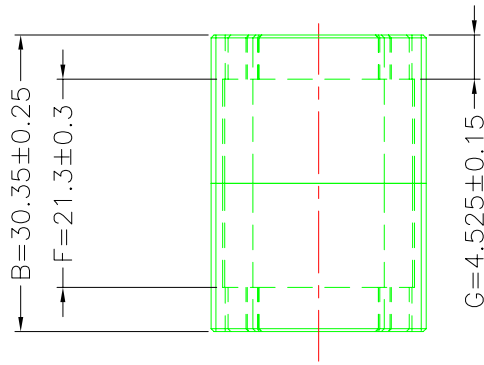
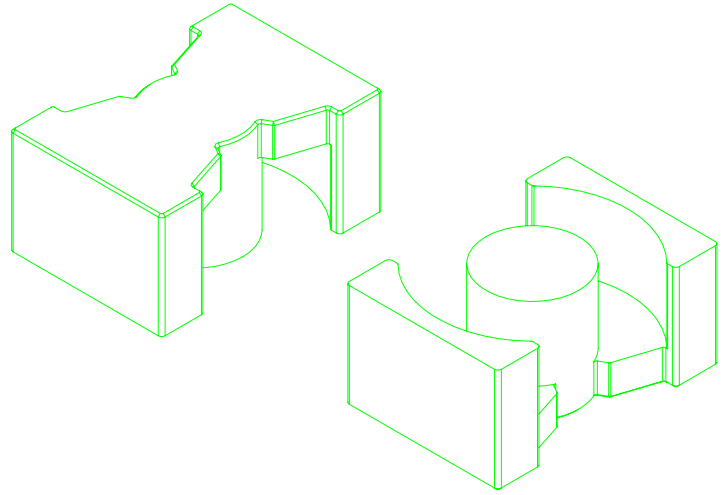
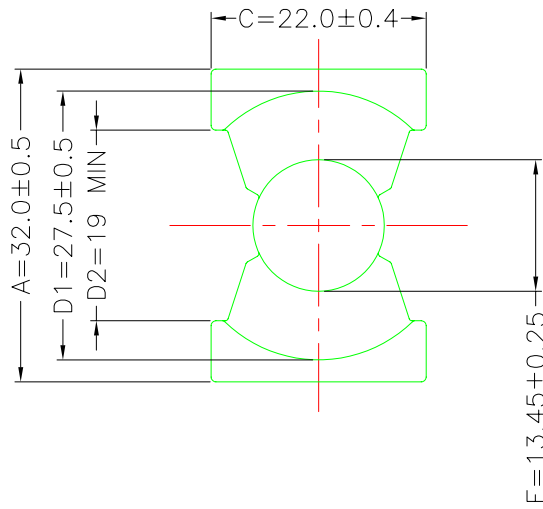


A-CORE
ELECTRICAL CO.

A-CORE JIANGMEN ELECTRONICS CO.,LTD
江門安磁電子有限公司
Tel : 86-750-3867791 Fax : 86-750-3867787

REVISIONS

REV	SYM	DRAFTER	CHECKER	DATE
1		G.F.YANG	W.H.HSU	11/10/09
2				
3				



Core Set Parameters

$A_e=153\text{mm}^2$
 $L_e=68.3\text{mm}$
 $C_1=0.446\text{mm}^{-1}$
 $V_e=10449.9\text{mm}^3$

DWG NO.	PQ32/30- CORE				
PART NO.	MATERIAL (CORE)	MATERIAL (TERMINAL)	TERMINAL (PLATING)	PIN ALLOCATION	NOTE
PQ32/30	JPP-44A				
PQ32/30	JPP-95				

Finish:	TOLERANCE: 0<L<=4:±0.1 4<L<=16:±0.2 16<L<=63:±0.3	UNIT : m / m	SCALE 1 : 1
			REV 1

A-COREA-CORE JIANGMEN ELECTRONICS CO.,LTD
江門安磁電子有限公司**TBI**TRANSFORMER BOBBIN
INDUSTRIAL CO.,LTD.

ELECTRICAL CO. Tel : 86-750-3867791 Fax : 86-750-3867787

Tel : 86-769-88789999 Fax : 86-769-88789989

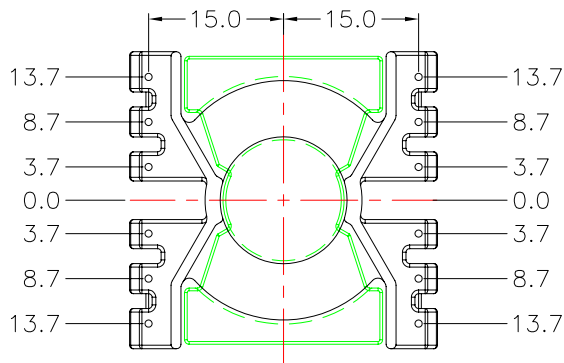
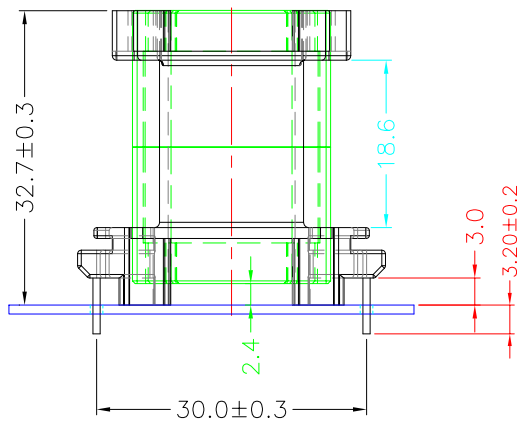
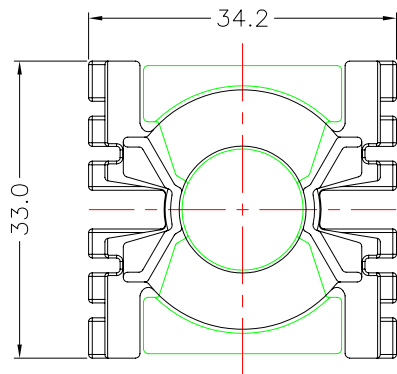
e-mail : sales@acore-ferrite.com

http:// tbi-tw.com e-mail : tb6688@ms46.hinet.net

REVISIONS

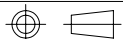
REV	SYM	DRAFTER	CHECKER	DATE
△1		X.H.GU	G.F.YANG	09/14/09
△2				
△3				

TOP



BOTTOM

ITEM	PART NO.	MATERIAL	DWG NO.	Core Set Parameters
CORE	PQ32/30	JPP-44A		$A_e=153\text{mm}^2$ $L_e=68.3\text{mm}$ $C_1=0.446\text{mm}^{-1}$ $V_e=10449.9\text{mm}^3$
CORE	PQ32/30	JPP-95		
BOBBIN	TBI-216-02061.12XX		PQ3230-12P-TH-F-12	



UNIT : m/m

SCALE 1:1

REV 1