

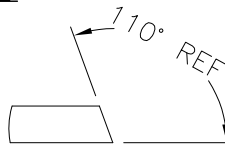
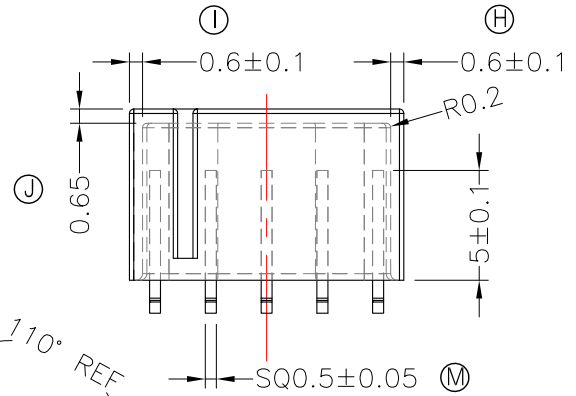
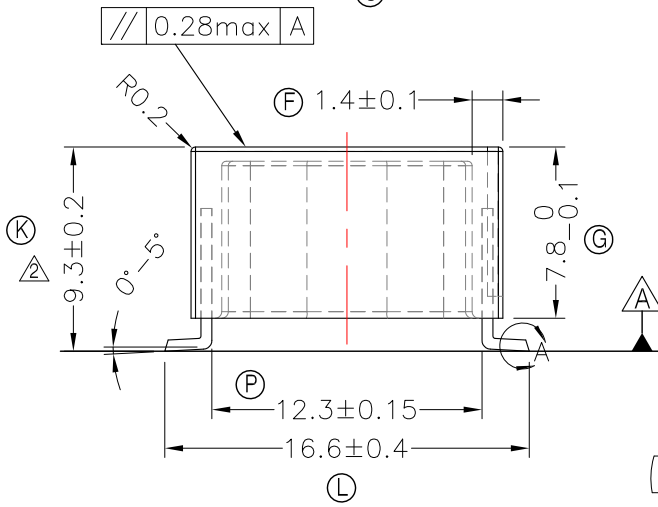
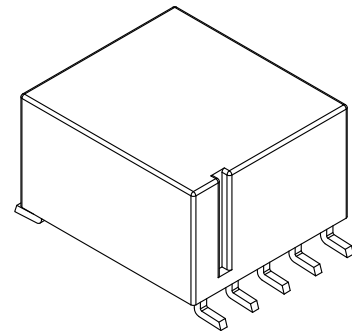
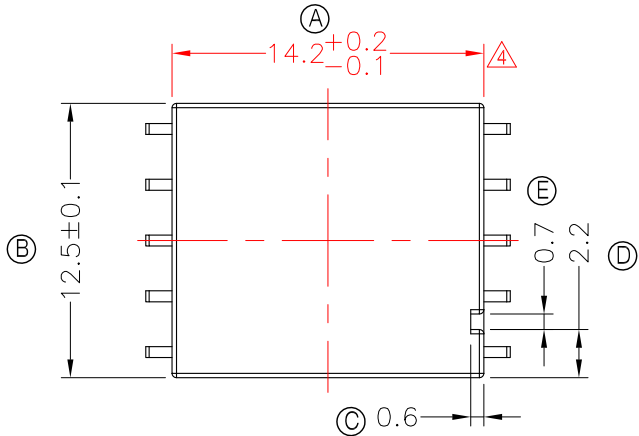


**TRANSFORMER BOBBIN
INDUSTRIAL CO.,LTD.**

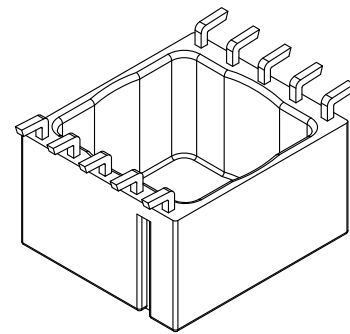
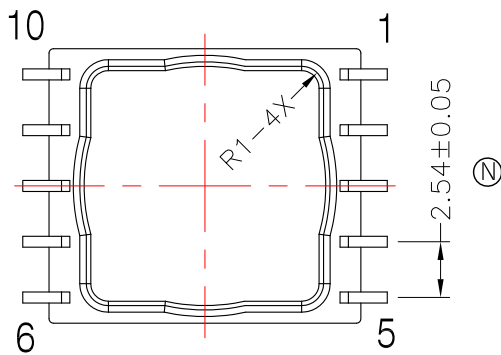
Tel : 86-769-88789999 Fax : 86-769-88789989
http:// tbi-tw.com e-mail : tb6688@ms46.hinet.net

REVISIONS

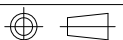
REV	SYM	DRAFTER	CHECKER	DATE
△2		YAN.TANG	W.H.HSU	07/20/07
△3		G.FYANG	W.H.HSU	04/25/13
△4		X.X.YUAN	G.F.YANG	09/03/14



DETAIL:A
PATENTED



DWG NO.	54GTR20-10P-L-2.5-B-1				
PART NO.	MATERIAL (BOBBIN)	MATERIAL (TERMINAL)	TERMINAL (PLATING)	PIN ALLOCATION	NOTE
TBI-113-21021.103	PM-9630JT	PB	Sn	ALL PIN	
TBI-113-21021.113	PM-9630JT	PB	Sn	CUT PIN #3,8	54GTR20SE H
TBI-113-21021.123	PM-9630JT	PB	Sn	CUT PIN #2,3,8,9	
TBI-113-21021.133	PM-9630JT	PB	Sn	CUT PIN #2,4,8	54GTR20SH001
TBI-113-21021.143	PM-9630JT	PB	Sn	CUT PIN #3,7,9	54GTR20SF
TBI-113-21021.153	PM-9630JT	PB	Sn	CUT PIN #2,7,9	54GTR20SD
TBI-113-21021.163	PM-9630JT	PB	Sn	CUT PIN #2,4,7,9	53GTR20SB001
TBI-113-21021.173	PM-9630JT	PB	Sn	CUT PIN #2,3,4,7,8,9	54GTR20SA
TBI-113-21021.183	PM-9630JT	PB	Sn	CUT PIN #3,6,8,10	
TBI-113-21021.193	PM-9630JT	PB	Sn	CUT PIN #3,4,5,8	



TOLERANCE : .X ±0.15 .XX ±0.10 .XXX ±0.05

UNIT : m / m

SCALE 3 : 1

Finish: 1. PB wire Immersion Sn on terminal : Thickness:Sn plating,100,5 μm (200 μ inches) min,Base nickel 0.625 μm (25 μ inches) min.
2. CP wire Immersion Sn on terminal : Thickness:Sn plating,100,5 μm (200 μ inches) min.
3. Coplanarity deviation: 0.10 mm (0.004 inches)max.

REV 4