



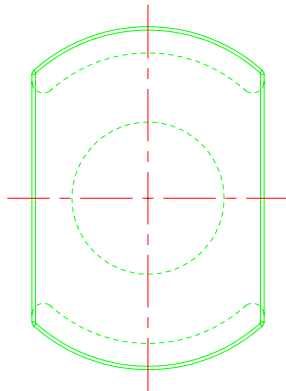
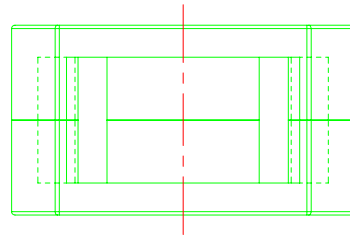
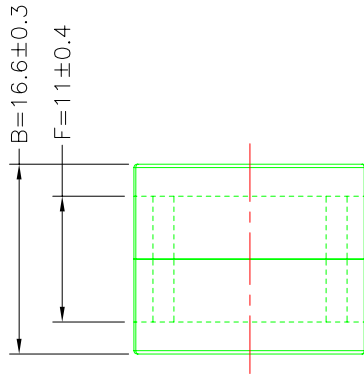
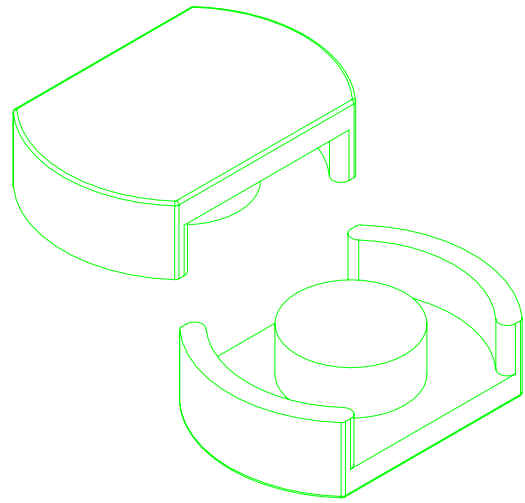
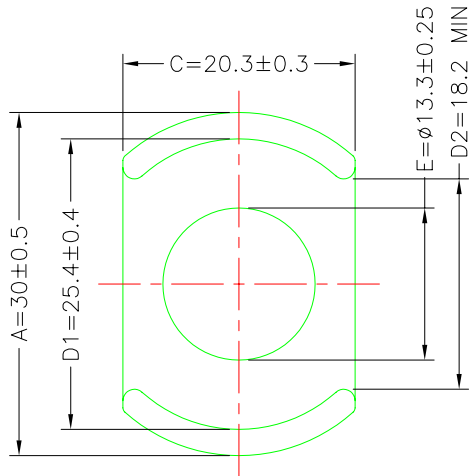


**A-CORE**  
ELECTRICAL CO.

A-CORE JIANGMEN ELECTRONICS CO.,LTD  
江門安磁電子有限公司  
Tel: 86-750-3867791 Fax : 86-750-3867787

REVISIONS

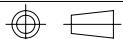
REV	SYM	DRAFTER	CHECKER	DATE
1		S.Y.TANG	G.F.YANG	10/16/08
2				
3				



Core Set Parameters

$A_e=117\text{mm}^2$   
 $L_e=43.6\text{mm}$   
 $C_1=0.373\text{mm}^{-1}$   
 $V_e=5101.2\text{mm}^3$

DWG NO.	CC30/16.6-CORE				
PART NO.	MATERIAL (BOBBIN)	MATERIAL (TERMINAL)	TERMINAL (PLATING)	PIN ALLOCATION	NOTE
CC30/16.6	JPP-44A				
CC30/16.6	JPP-95				



Finish:

UNIT : m/m

SCALE 3:2

REV 1

**A-CORE**

A-CORE JIANGMEN ELECTRONICS CO.,LTD  
 江門安磁電子有限公司

**TBI**

TRANSFORMER BOBBIN  
 INDUSTRIAL CO.,LTD.

ELECTRICAL CO. Tel : 86-750-3867791 Fax : 86-750-3867787

Tel : 86-769-88789999 Fax : 86-769-88789989

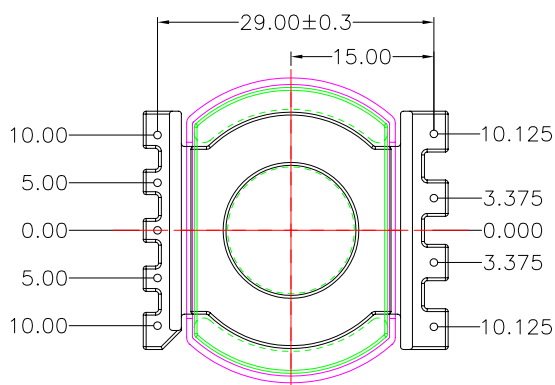
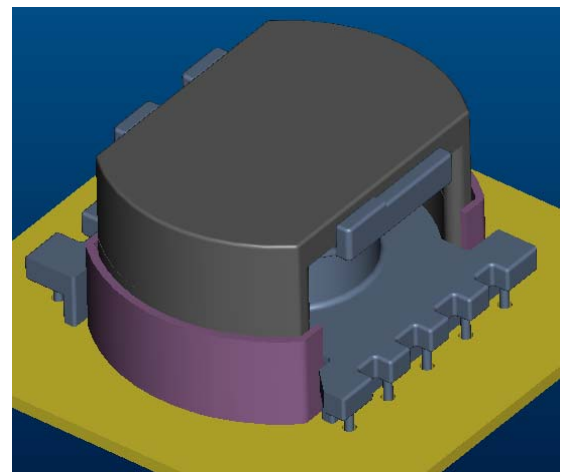
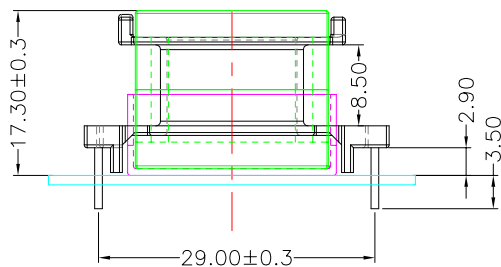
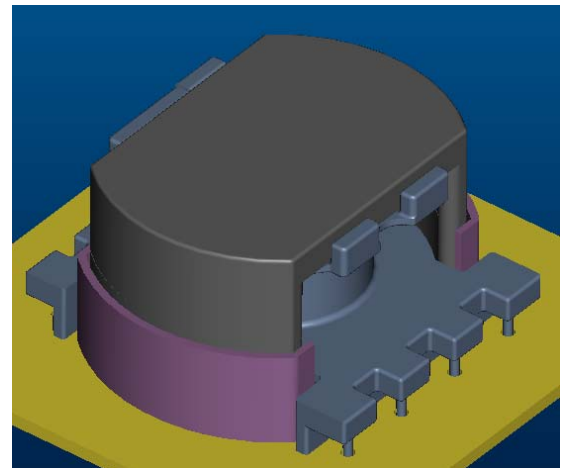
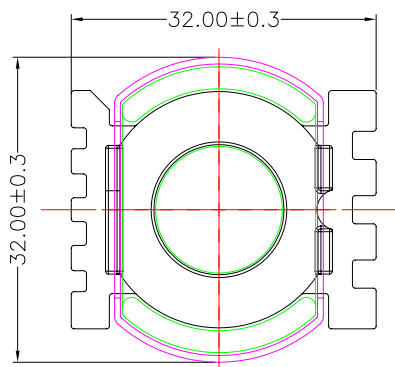
e-mail : sales@acore-ferrite.com

http:// tbi-tw.com e-mail : tb6688@ms46.hinet.net

REVISIONS

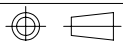
REV	SYM	DRAFTER	CHECKER	DATE
△1		X.H.GU	G.F.YANG	01/29/15
△2				
△3				

TOP



BOTTOM

ITEM	PART NO.	MATERIAL	DWG NO.	Core Set Parameters
CORE	CC30/16.6	JPP-44A		Ae=117mm <sup>2</sup> Le=43.6mm C1=0.373mm <sup>-1</sup> Ve=5101.2mm <sup>3</sup>
CORE	CC30/16.6	JPP-95		
BOBBIN	TBI-239-02021.11XX		CC30-16.6-9P-TH-B-11	
CASE	TBI-239-02021.11C		CC30-16.6-9P-CASE-B-11	



UNIT : m / m

SCALE 1 : 1

REV 1