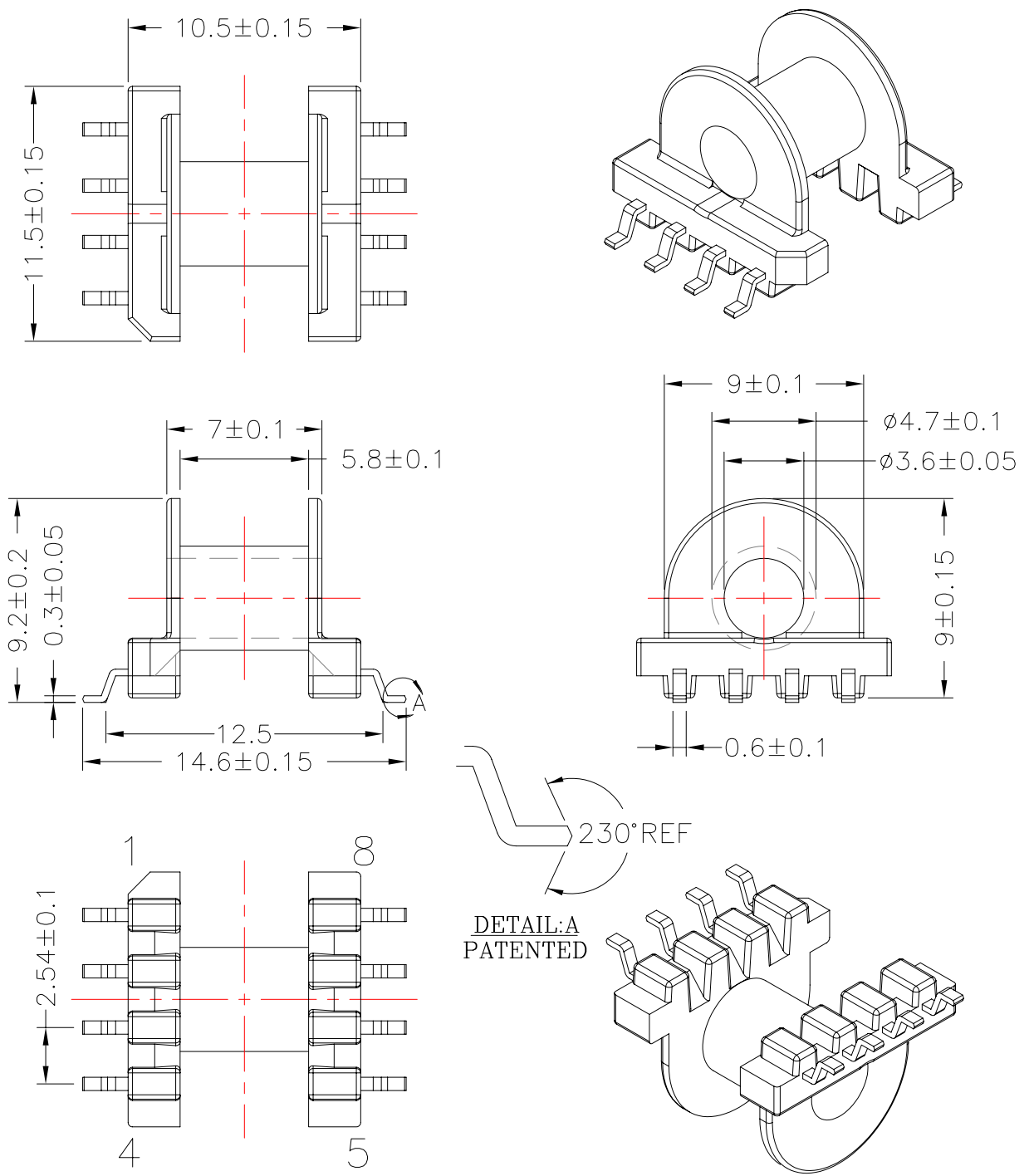




TRANSFORMER BOBBIN INDUSTRIAL CO.,LTD.

Tel : 86-769-88789999 Fax : 86-769-88789989
 http://tbi-tw.com e-mail : tb6688@ms46.hinet.net

REVISIONS				
REV	SYM	DRAFTER	CHECKER	DATE
△1		X.X.YUAN	G.F.YANG	04/03/12
△2				
△3				



DWG NO.	EP10-8P-GW-2.54-3C-11				
PART NO.	MATERIAL (BOBBIN)	MATERIAL (TERMINAL)	TERMINAL (PLATING)	PIN ALLOCATION	NOTE
TBI-103-02231.1103	PM-9630	PB	Sn	ALL PIN	
TBI-103-02231.1113	PM-9630	PB	Sn	ALL PIN, 成品後電鍍	H

Finish: 1. PB wire Immersion Sn on terminal : Thickness:Sn plating,100,5 μ m (200 μ inches) min,Base nickel 0.625 μ m (25 μ inches) min.
 2. CP wire Immersion Sn on terminal : Thickness:Sn plating,100,5 μ m (200 μ inches) min.
 3. Coplanarity deviation: 0.10 mm (0.004 inches) max.

TOLERANCE: .X \pm 0.15 .XX \pm 0.10 .XXX \pm 0.05 UNIT : m / m SCALE 1 : 1

REV 1