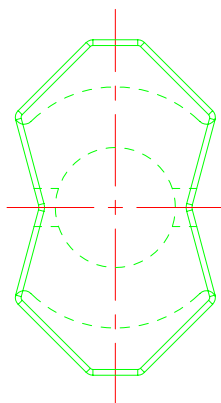
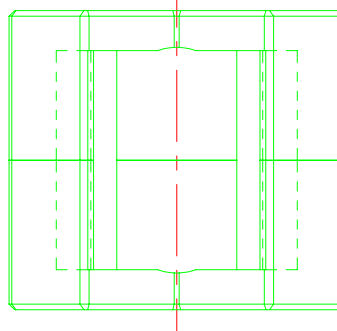
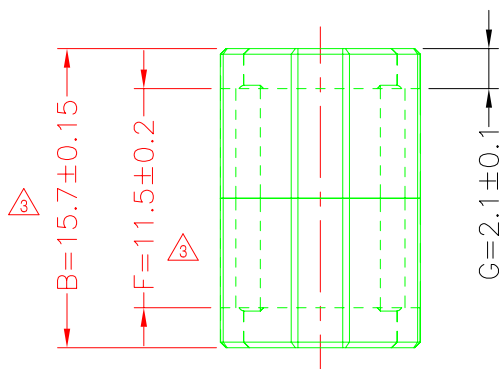
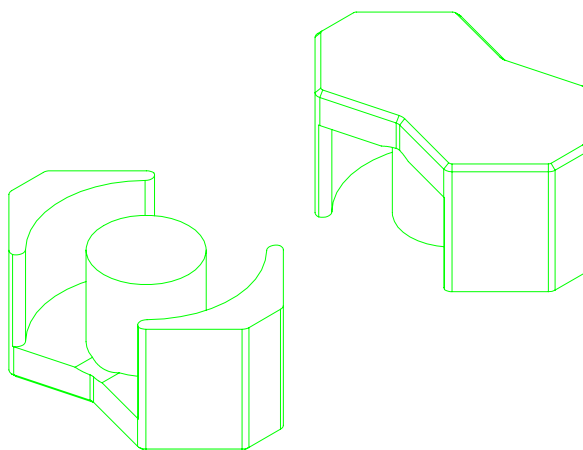
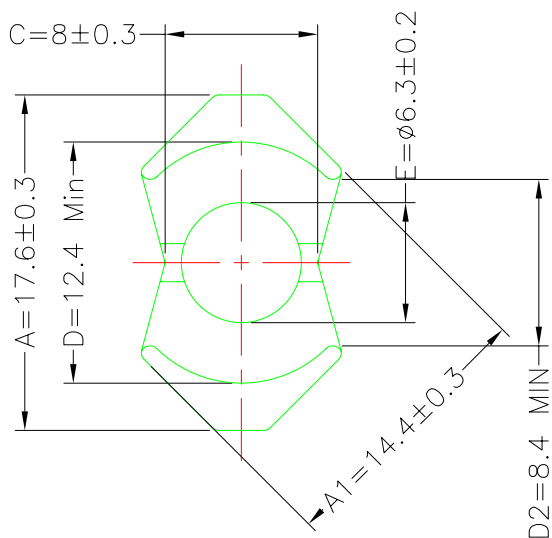


A-CORE
ELECTRICAL CO.

A-CORE JIANGMEN ELECTRONICS CO.,LTD
 江门安磁电子有限公司
 Tel: 86-750-3867791 Fax : 86-750-3867787

REVISIONS				
REV	SYM	DRAFTER	CHECKER	DATE
①		X.H.GU	G.F.YANG	02/19/14
②		X.H.GU	G.F.YANG	05/27/14
③		X.H.GU	G.F.YANG	04/28/15



Core Set Parameters

$A_e = 36.4\text{mm}^2$

$L_e = 37.1\text{mm}$

$C_1 = 1.02\text{mm}^{-1}$

$V_e = 1350.44\text{mm}^3$

DWG NO.	RM6/15.7G-CORE				
PART NO.	MATERIAL (BOBBIN)	MATERIAL (TERMINAL)	TERMINAL (PLATING)	PIN ALLOCATION	NOTE
RM6/15.7G	JPP-44A				
RM6/15.7G	JPP-95				

Finish:	TOLERANCE: 0<L<=4:±0.1 4<L<=16:±0.2 16<L<=63:±0.3	UNIT : m / m	SCALE 1 : 1
			REV 3

A-CORE

A-CORE JIANGMEN ELECTRONICS CO.,LTD
江門安磁電子有限公司

TBI

TRANSFORMER BOBBIN
INDUSTRIAL CO.,LTD.

ELECTRICAL CO. Tel : 86-750-3867791 Fax : 86-750-3867787

Tel : 86-769-88789999 Fax : 86-769-88789989

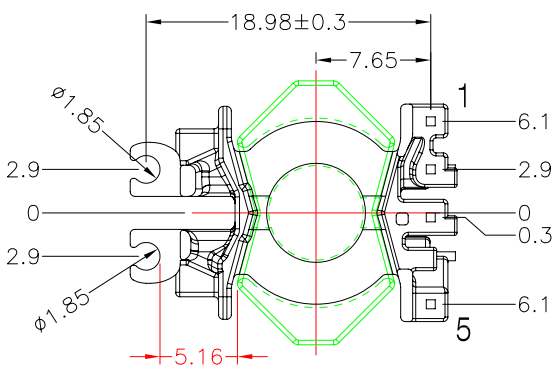
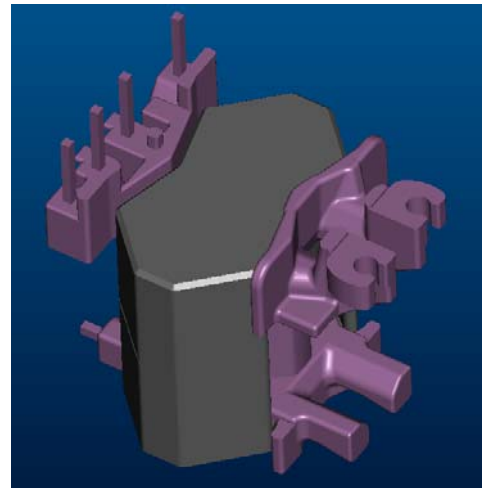
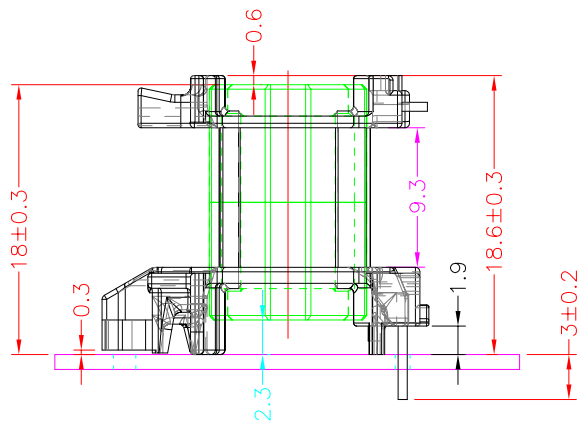
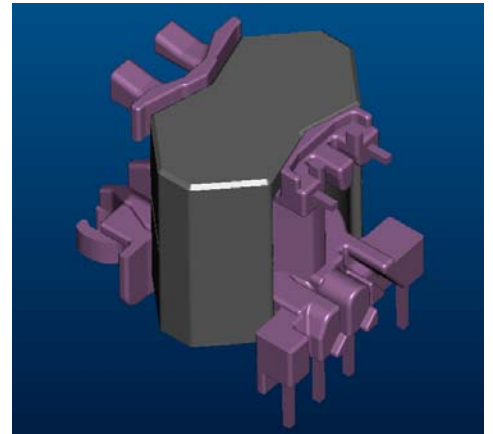
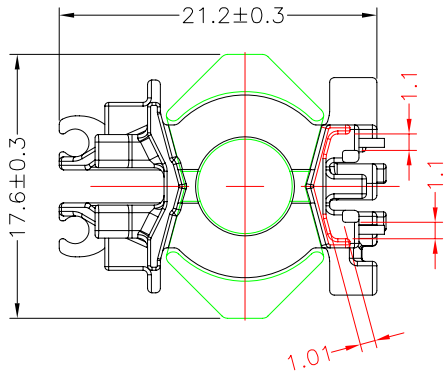
e-mail : sales@acore-ferrite.com

http:// tbi-tw.com e-mail : tb6688@ms46.hinet.net

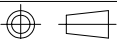
REVISIONS

REV	SYM	DRAFTER	CHECKER	DATE
△3		X.H.GU	G.F.YANG	07/12/17
△4		X.H.GU	G.F.YANG	08/18/17
△5		X.H.GU	G.F.YANG	09/01/17

TOP



BOTTOM

ITEM	PART NO.	MATERIAL	DWG NO.	Core Set Parameters
CORE	RM6/15.7G	JPP-44A		$A_e = 36.4\text{mm}^2$ $L_e = 37.1\text{mm}$ $C1 = 1.02\text{mm}^{-1}$ $V_e = 1350.44\text{mm}^3$
CORE	RM6/15.7G	JPP-95		
BOBBIN	TBI-208-02241.11XX		RM6-15.7G-6P-TH-B4-11	
				UNIT : m/m
				SCALE 1 : 1

REV 5