

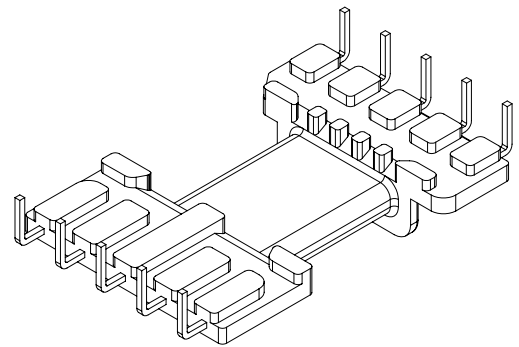
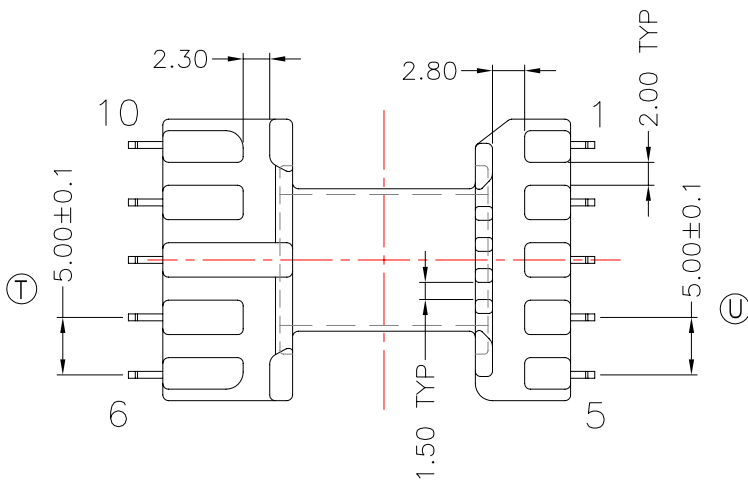
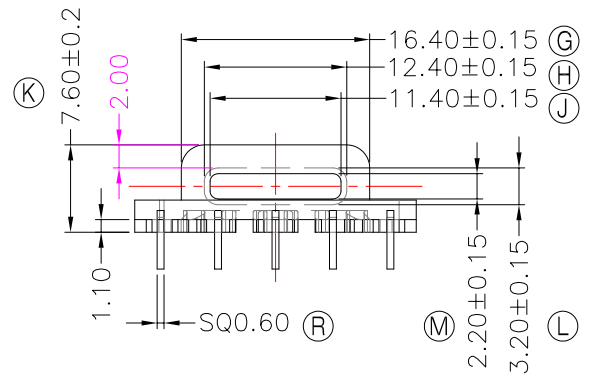
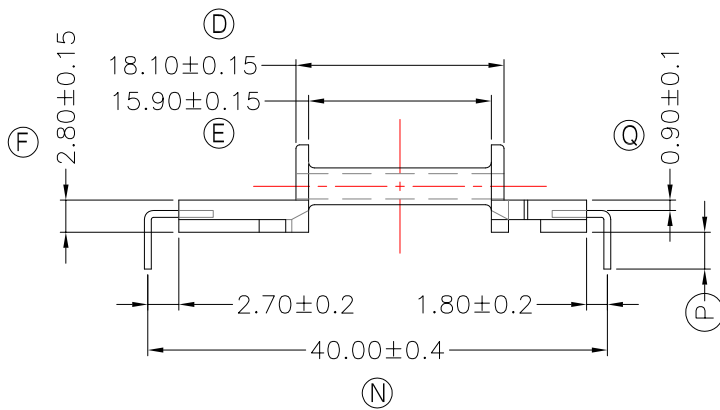
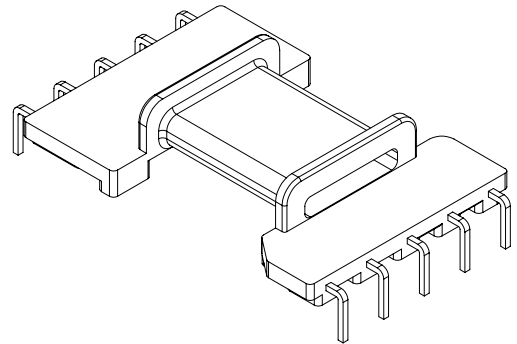
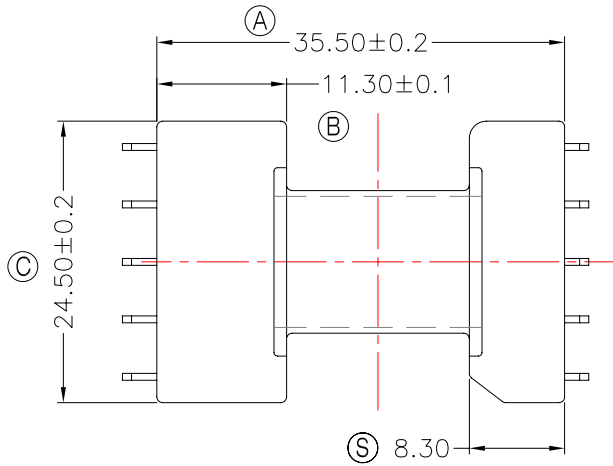


TRANSFORMER BOBBIN  
INDUSTRIAL CO.,LTD.

Tel : 86-769-88789999 Fax : 86-769-88789989  
http:// tbi-tw.com e-mail : tb6688@ms46.hinet.net

REVISIONS

REV	SYM	DRAFTER	CHECKER	DATE
1		X.H.GU	G.F.YANG	08/17/09
2				
3				



焊錫前拉力:1.0KG MIN  
焊錫後拉力:1.5KG MIN  
任意一點強度須1.5kg MIN;

WINDING SPACE: 15.9\*2.0mm=31.8mm<sup>2</sup>

DWG NO. EFD22.5-24-10P-THT-0A-11

PART NO.	MATERIAL (BOBBIN)	MATERIAL (TERMINAL)	TERMINAL (PLATING)	PIN ALLOCATION	NOTE
TBI-207-07011.1106	PM-9630	CP WIRE	Sn	ALL PIN (P) =3.2±0.3	S
TBI-207-07011.1116	PM-9630	CP WIRE	Sn	ALL PIN (P) =3.8±0.3	H
TBI-207-07011.1126	PM-9630	CP WIRE	Sn	ALL PIN (P) =3.5±0.3	
TBI-207-07011.1136	PM-9630	CP WIRE	Sn	ALL PIN (P) =4.2±0.2	
TBI-207-07011.1146	PM-9630	CP WIRE	Sn	CUT PIN #6 (P) =3.2±0.2	
TBI-207-07011.1156	PM-9630	CP WIRE	Sn	CUT PIN #8 (P) =3.5±0.3	

TOLERANCE: 0<L<=4:±0.1 4<L<=16:±0.2 16<L<=63:±0.3 UNIT : m / m SCALE 1 : 1

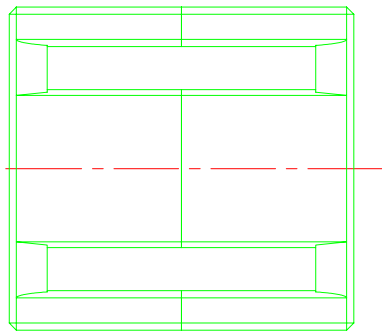
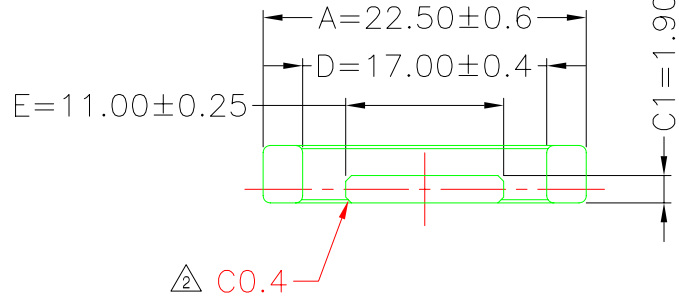
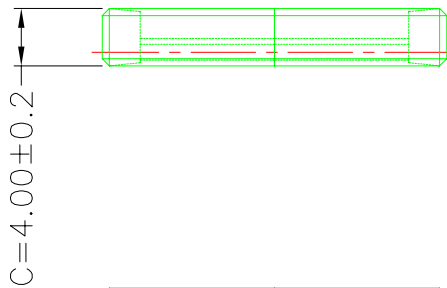
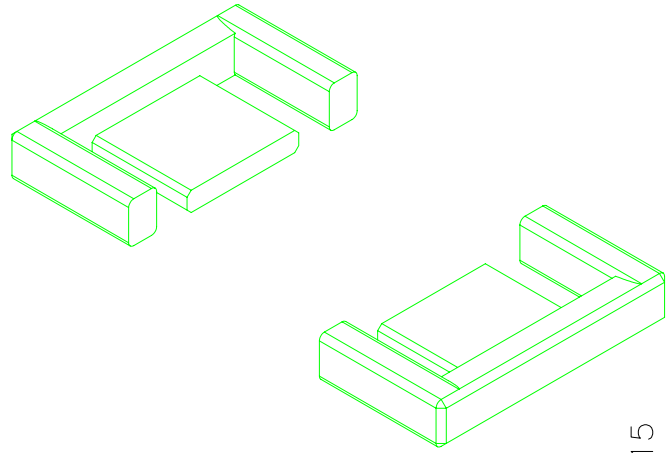
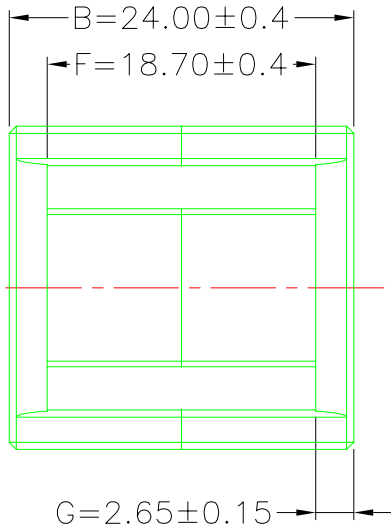
Finish: 1. PB wire Immersion Sn on terminal : Thickness:Sn plating,100,5 μm (200 μ inches) min,Base nickel 0.625 μm (25 μ inches) min.  
2. CP wire Immersion Sn on terminal : Thickness:Sn plating,100,5 μm (200 μ inches) min.  
3. Coplanarity deviation: 0.10 mm (0.004 inches) max.

REV 1

**A-CORE**  
ELECTRICAL CO.

A-CORE JIANGMEN ELECTRONICS CO.,LTD  
 江门安磁电子有限公司  
 Tel : 86-750-3867791 Fax : 86-750-3867787

REVISIONS				
REV	SYM	DRAFTER	CHECKER	DATE
△1		X.H.GU	G.F.YANG	08/17/09
△2		X.H.GU	G.F.YANG	10/24/09
△3				



### Cross section area

$A1(\text{Limbs}) = 21.57 \text{mm}^2$   
 $A2(\text{back wall}) = 21.2 \text{mm}^2$   
 $A3(\text{center post}) = 20.69 \text{mm}^2$   
 $Ae = 21.3 \text{mm}^2$   
 $Le = 54 \text{mm}$   
 $C1 = 2.54 \text{mm}^{-1}$   
 $Ve = 1150.2 \text{mm}^3$

DWG NO.	EFD22.5 /24 CORE				
PART NO.	MATERIAL (BOBBIN)	MATERIAL (TERMINAL)	TERMINAL (PLATING)	PIN ALLOCATION	NOTE
EFD22.5 /24	JPP-44A				
EFD22.5 /24	JPP-95				
Finish:	TOLERANCE: $0 < L \leq 4 : \pm 0.1$ $4 < L \leq 16 : \pm 0.2$ $16 < L \leq 63 : \pm 0.3$			UNIT : m / m	SCALE 1 : 1
				REV	2

**A-CORE**

A-CORE JIANGMEN ELECTRONICS CO.,LTD  
 江门安磁电子有限公司

**TBI**

TRANSFORMER BOBBIN  
 INDUSTRIAL CO.,LTD.

ELECTRICAL CO. Tel : 86-750-3867791 Fax : 86-750-3867787

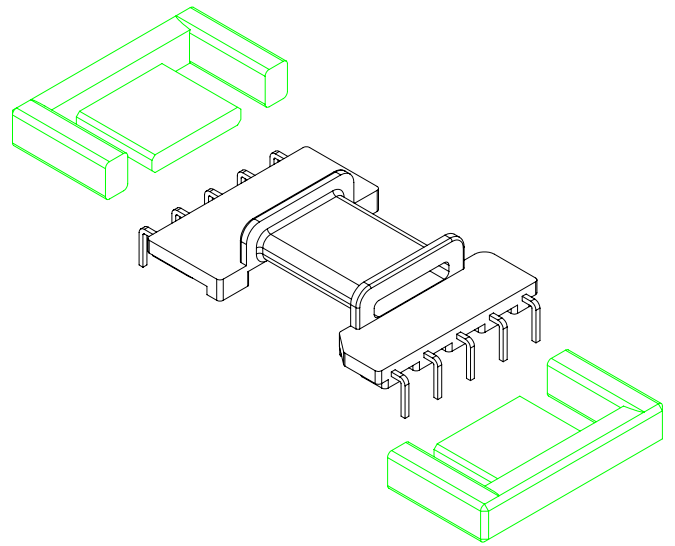
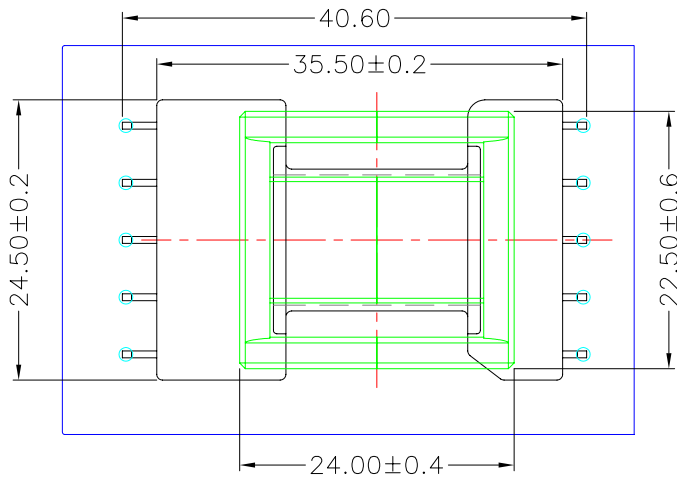
Tel : 86-769-88789999 Fax : 86-769-88789989

e-mail : sales@acore-ferrite.com

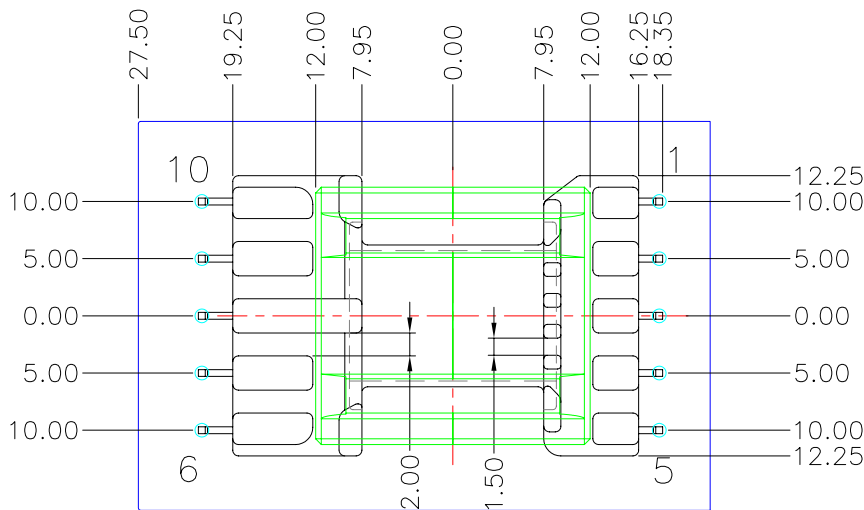
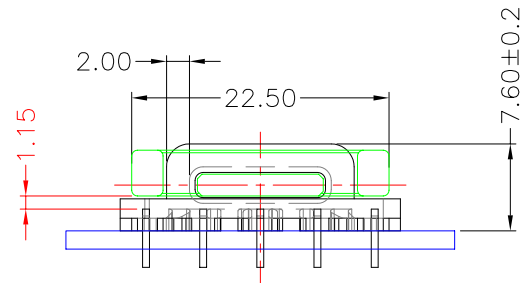
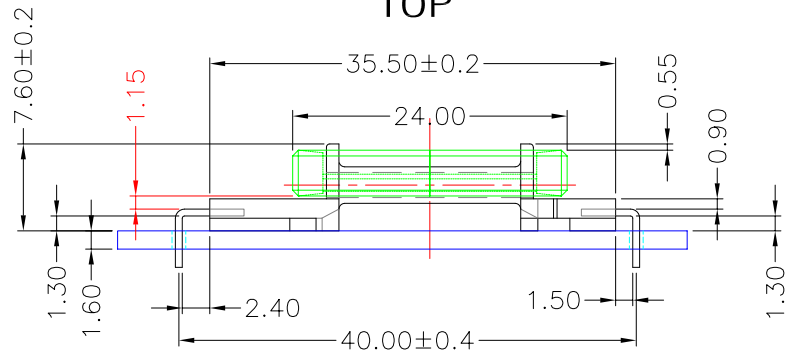
http:// tbi-tw.com e-mail : tb6688@ms46.hinet.net

REVISIONS

REV	SYM	DRAFTER	CHECKER	DATE
△1		X.H.GU	G.F.YANG	10/21/09
△2				
△3				



TOP

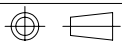


BOTTOM

Core Set Parameters

$C1=2.54\text{mm}^{-1}$   
 $Le=54\text{mm}$   
 $Ae=21.3\text{mm}^2$   
 $Ve=1150.2\text{mm}^3$

ITEM	PART NO.	MATERIAL	DWG NO.	NOTE
CORE	EFD22.5-24	JPP-44A		
CORE	EFD22.5-24	JPP-95		
BOBBIN	TBI-207-07011.11XX		EFD22.5-24-10P-THT-0A-11	



UNIT : m/m

SCALE 1 : 1

REV 1