

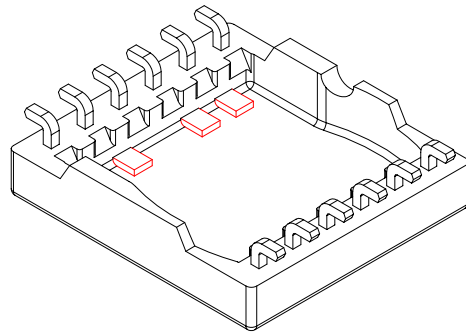
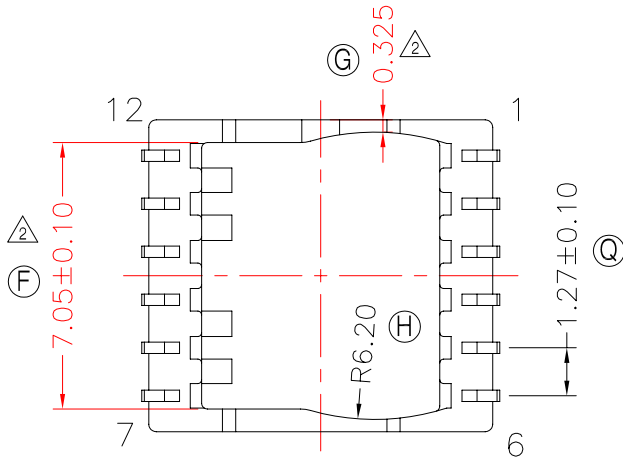
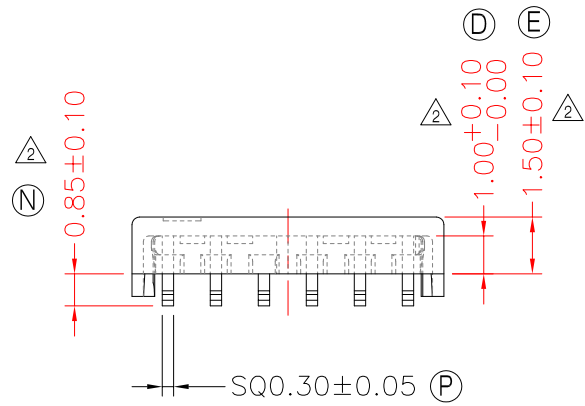
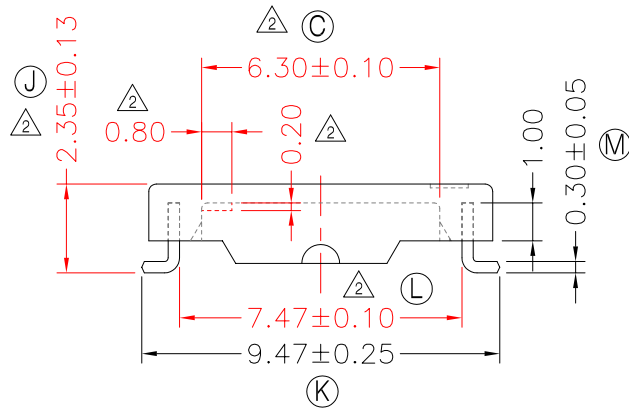
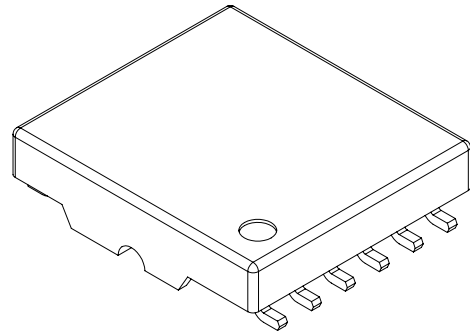
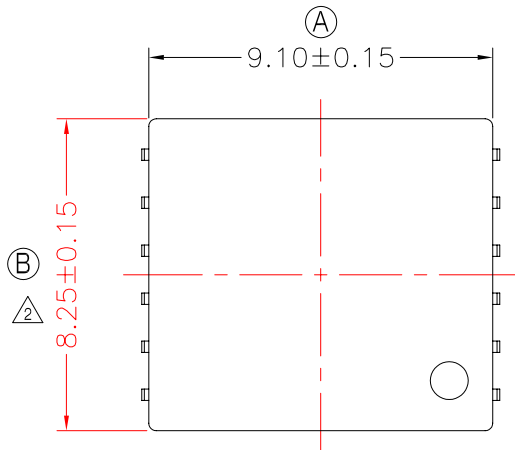


**TRANSFORMER BOBBIN INDUSTRIAL CO.,LTD.**

Tel : 86-769-88789999 Fax : 86-769-88789989  
 http:// tbi-tw.com e-mail : tb6688@ms46.hinet.net

REVISIONS

REV	SYM	DRAFTER	CHECKER	DATE
①		YAN.TANG	G.F.YANG	06/01/10
②		YAN.TANG	G.F.YANG	09/27/10
③				



NOTE: Pull Strenght 0.7Kg (min)

DWG NO.	H9.1X8.2-12P-L-1.27-D-11				
PART NO.	MATERIAL (BOBBIN)	MATERIAL (TERMINAL)	TERMINAL (PLATING)	PIN ALLOCATION	NOTE
TBI-113-32041.1103	PM-9630	PB	Sn	ALL PIN	S H
TOLERANCE: 0<L<=4:±0.1 4<L<=16:±0.2 16<L<=63:±0.3					
UNIT : m / m				SCALE 5 : 1	
Finish: 1. PB wire Immersion Sn on terminal : Thickness:Sn plating,100,5 μ m (200 μ inches) min,Base nickel 0.625 μ m (25 μ inches) min. 2. CP wire Immersion Sn on terminal : Thickness:Sn plating,100,5 μ m (200 μ inches) min. 3. Coplanarity deviation: 0.10 mm (0.004 inches) max.					REV 2