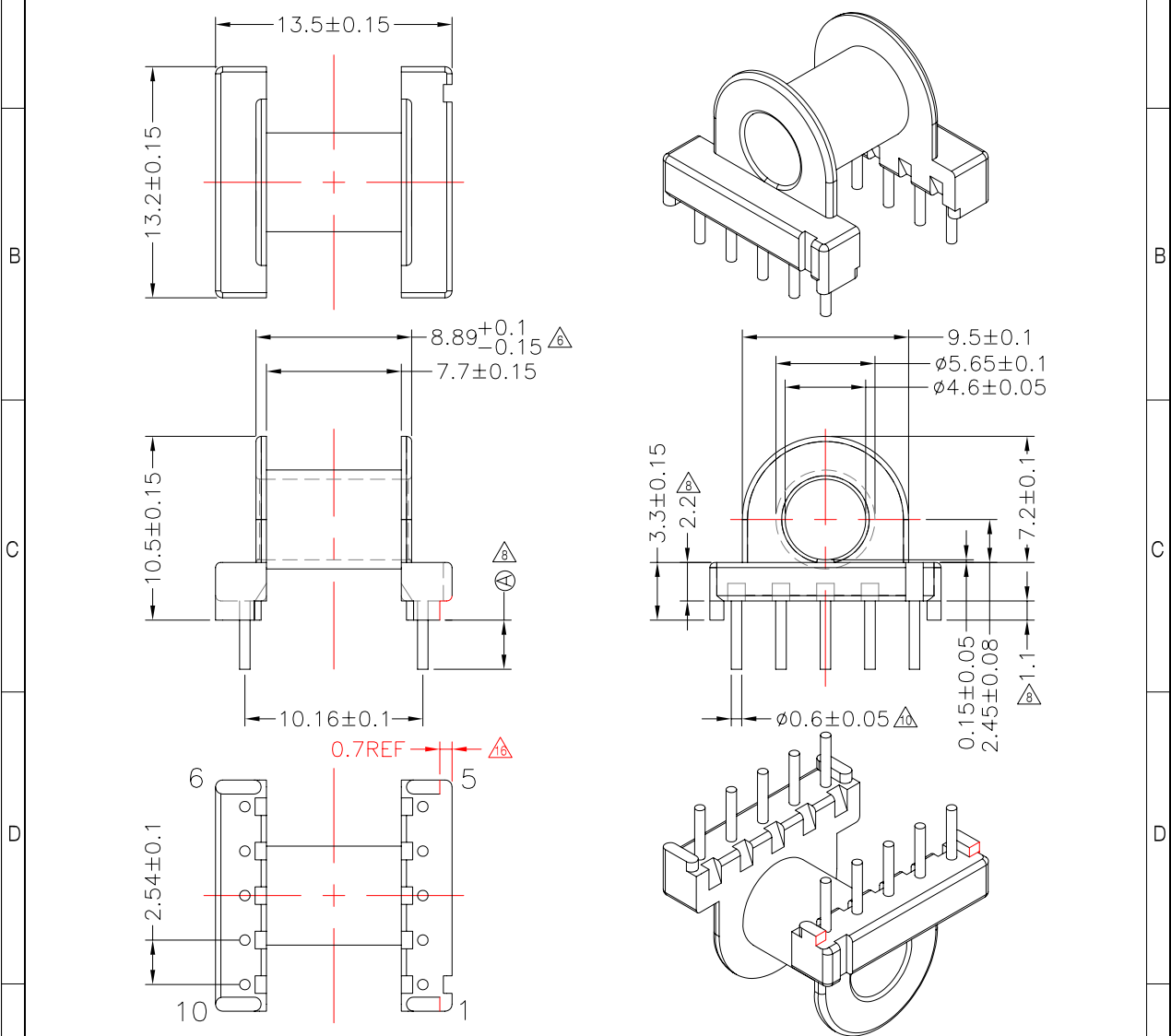




TRANSFORMER BOBBIN INDUSTRIAL CO.,LTD.

Tel : 86-769-88789999 Fax : 86-769-88789989
 http:// tbi-tw.com e-mail : tb6688@ms46.hinet.net

REVISIONS				
REV	SYM	DRAFTER	CHECKER	DATE
△A		YAN.TANG	W.H.HSU	08/09/07
△B		YAN.TANG	G.F.YANG	05/30/08
△A		G.F.YANG	W.H.HSU	01/13/17



DWG NO. EP13-10P-TH-2.54-A-1

E	PART NO.	MATERIAL (BOBBIN)	MATERIAL (TERMINAL)	TERMINAL (PLATING)	PIN ALLOCATION	NOTE	E
	TBI-203-03011.106	PM-9630	CP WIRE	Sn	ALL PIN, (A)=2.8±0.2 △A △B		
	TBI-203-03011.116	PM-9630	CP WIRE	Sn	ALL PIN, (A)=5±0.3 △A	H	
	TBI-203-03011.126	PM-9630	CP WIRE	Sn	Cut pin #6, (A)=2.8±0.2		
	TBI-203-03011.136	PM-9630	CP WIRE	Sn	Cut pin #3, (A)=2.8±0.2		
	TBI-203-03011.146	PM-9630	CP WIRE	Sn	Cut pin #2,4,7,9, (A)=2.8±0.2		
△A	TBI-203-03011.156	PM-9630	CP WIRE	Sn	Cut pin #3, (A)=3.6±0.3 △A		
	TBI-203-03011.166	PM-9630	CP WIRE	Sn	Cut pin #3,6,8,10, (A)=2.8±0.2		
F	TBI-203-03011.176	PM-9630	CP WIRE	Sn	Cut pin #8, (A)=2.8±0.2		F
	TBI-203-03011.186	PM-9630	CP WIRE	Sn	Cut pin#2, 3,4,7,8,9, (A)=2.8±0.2		
△A	TBI-203-03011.196	PM-9630	CP WIRE	Sn	ALL PIN, (A)=3.2±0.5 △A		
△A	TBI-203-03011.1A6	PM-9630	CP WIRE	Sn	ALL PIN, (A)=4.0±0.2 △A		
△A	TBI-203-03011.1B6	PM-9630	CP WIRE	Sn	CUT PIN # 3, (A)=3.2 ± 0.2		
△A	TBI-203-03011.1C6	PM-9630	CP WIRE	Sn	Cut pin#2,3,4,7,8,9, (A)=4.0±0.2		
△A	TBI-203-03011.1D6	PM-9630	CP WIRE	Sn	ALL PIN, (A)=3.6±0.2		
△A	TBI-203-03011.1E6	PM-9630	CP WIRE	Sn	CUT PIN #7,8,9 (A)=2.8±0.2		
	TBI-203-03011.1F6	PM-9630	CP WIRE	Sn	CUT PIN#1,2,3,6,7,8 (A)=3.2±0.2		
	TBI-203-03011.1G6	PM-9630	CP WIRE	Sn	CUT PIN#1,2,4,5,6,7,10(A)=3.2±0.2		
	TBI-203-03011.1H6	PM-9630	CP WIRE	Sn	ALL PIN, (A)=3.8±0.2		
	TBI-203-03011.1J6	PM-9630	CP WIRE	Sn	CUT PIN#2,3,4,8 (A)=5.0±0.2		

TOLERANCE: .X±0.15 .XX±0.10 .XXX±0.05 UNIT : m / m SCALE 3 : 1

Finish: 1. PB wire Immersion Sn on terminal : Thickness:Sn plating,100,5 μm (200 μ inches) min,Base nickel 0.625 μm (25 μ inches) min.
 2. CP wire Immersion Sn on terminal : Thickness:Sn plating,100,5 μm (200 μ inches) min.
 3. Coplanarity deviation: 0.10 mm (0.004 inches) max.

REV 16