

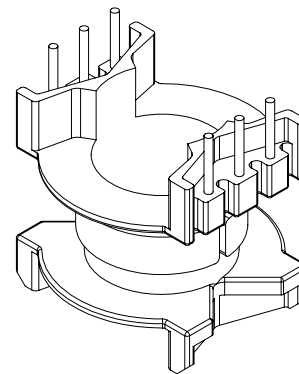
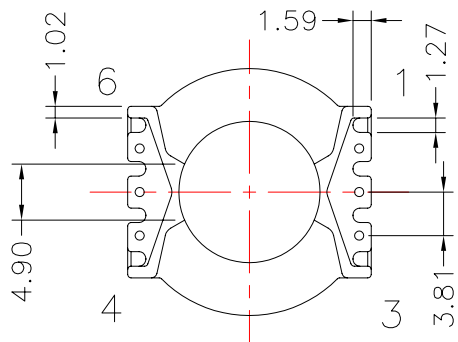
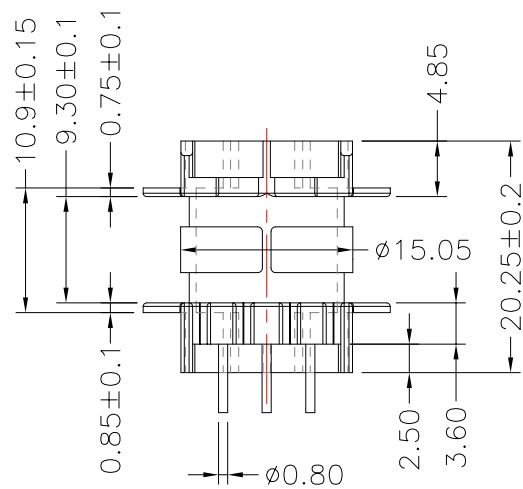
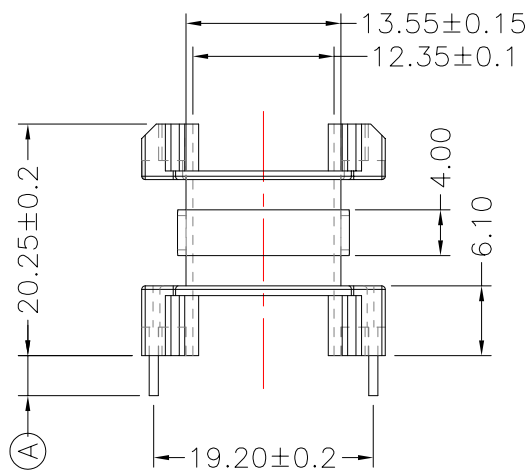
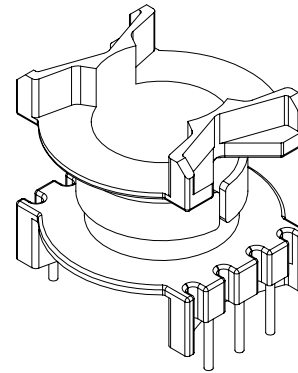
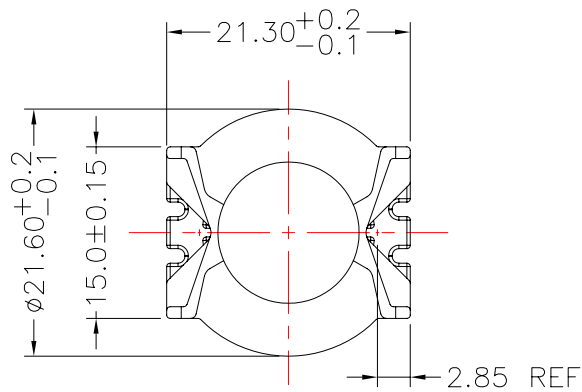


**TRANSFORMER BOBBIN  
INDUSTRIAL CO.,LTD.**

Tel : 86-769-88789999 Fax : 86-769-88789989  
http:// tbi-tw.com e-mail : tb6688@ms46.hinet.net

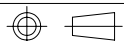
REVISIONS

| REV | SYM | DRAFTER  | CHECKER  | DATE     |
|-----|-----|----------|----------|----------|
| 1   |     | YAN.TANG | G.F.YANG | 03/09/10 |
| 2   |     |          |          |          |
| 3   |     |          |          |          |



DWG NO. PQ2620-6P-TH-3.81-D-11

| PART NO.           | MATERIAL (BOBBIN) | MATERIAL (TERMINAL) | TERMINAL (PLATING) | PIN ALLOCATION           | NOTE |
|--------------------|-------------------|---------------------|--------------------|--------------------------|------|
| TBI-216-04041.1106 | PM-9630           | CP WIRE             | Sn                 | ALL PIN (A)=3.0±0.2      | S.C  |
| TBI-216-04041.1116 | PM-9630           | CP WIRE             | Sn                 | CUT PIN #2,6 (A)=3.0±0.2 | H.C  |
| TBI-216-04041.1126 | PM-9630           | CP WIRE             | Sn                 | CUT PIN #2,6 (A)=6.0±0.3 |      |
| TBI-216-04041.1136 | PM-9630           | CP WIRE             | Sn                 | CUT PIN #2,6 (A)=4.0±0.2 |      |
| TBI-216-04041.1146 | PM-9630           | CP WIRE             | Sn                 | CUT PIN #2,5 (A)=4.5±0.2 |      |



TOLERANCE: ±0.13

UNIT : m / m

SCALE 3 : 2

Finish: 1. PB wire Immersion Sn on terminal : Thickness:Sn plating,100,5 μm (200 μ inches) min,Base nickel 0.625 μm (25 μ inches) min.  
2. CP wire Immersion Sn on terminal : Thickness:Sn plating,100,5 μm (200 μ inches) min.  
3. Coplanarity deviation: 0.10 mm (0.004 inches) max.

REV 1