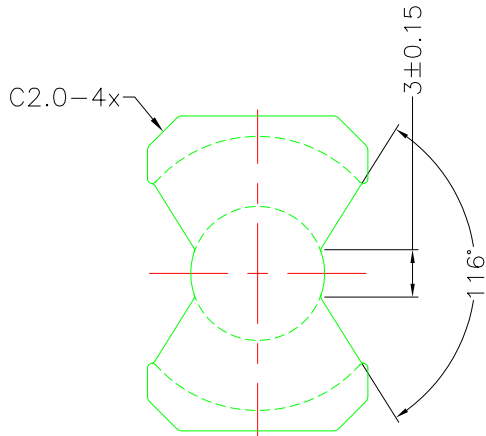
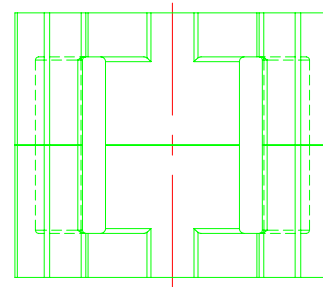
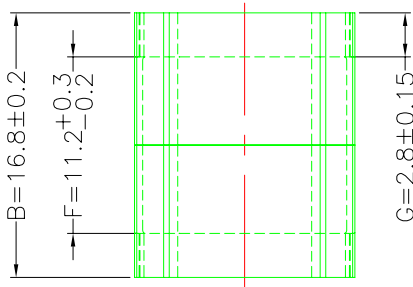
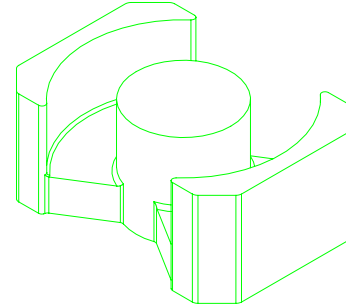
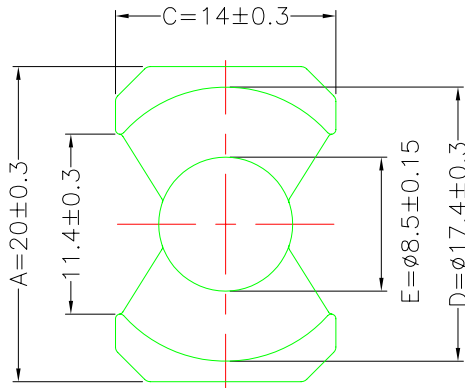


A-CORE
ELECTRICAL CO.

A-CORE JIANGMEN ELECTRONICS CO.,LTD
 江门安磁电子有限公司
 Tel: 86-750-3867791 Fax : 86-750-3867787

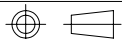
REVISIONS				
REV	SYM	DRAFTER	CHECKER	DATE
1		X.H.GU	G.F.YANG	03/24/15
2				
3				



Core Set Parameters

$A_e=59.4\text{mm}^2$
 $L_e=38.7\text{mm}$
 $C_1=0.652\text{mm}^{-1}$
 $V_e=2298.78\text{mm}^3$

DWG NO.	LQ20/16.8 CORE				
PART NO.	MATERIAL (BOBBIN)	MATERIAL (TERMINAL)	TERMINAL (PLATING)	PIN ALLOCATION	NOTE
LQ20/16.8	JPP-44A				
LQ20/16.8	JPP-95				



Finish:

UNIT : m/m

SCALE 1 : 1

REV 1

A-CORE

A-CORE JIANGMEN ELECTRONICS CO.,LTD
江門安磁電子有限公司

TBI

TRANSFORMER BOBBIN
INDUSTRIAL CO.,LTD.

ELECTRICAL CO. Tel : 86-750-3867791 Fax : 86-750-3867787

Tel : 86-769-88789999 Fax : 86-769-88789989

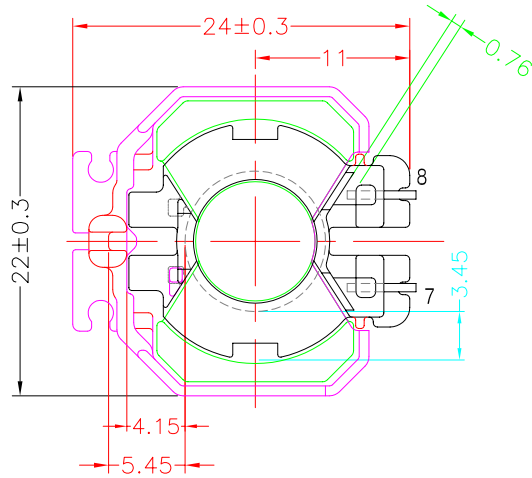
e-mail : sales@acore-ferrite.com

http:// tbi-tw.com e-mail : tb6688@ms46.hinet.net

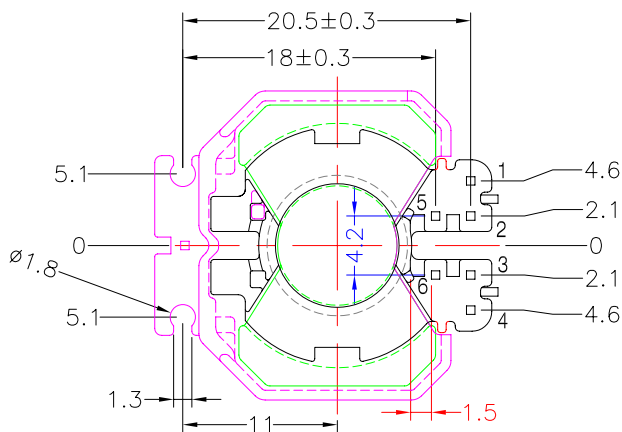
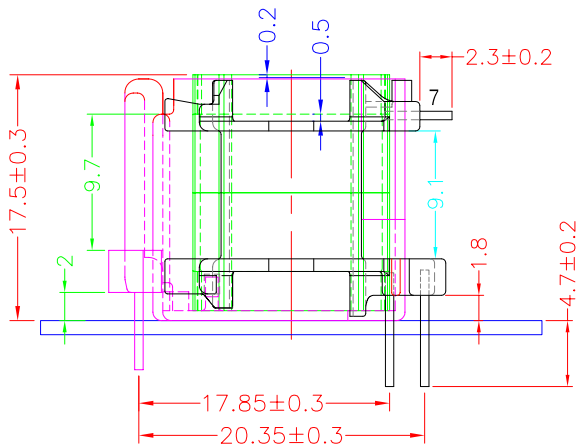
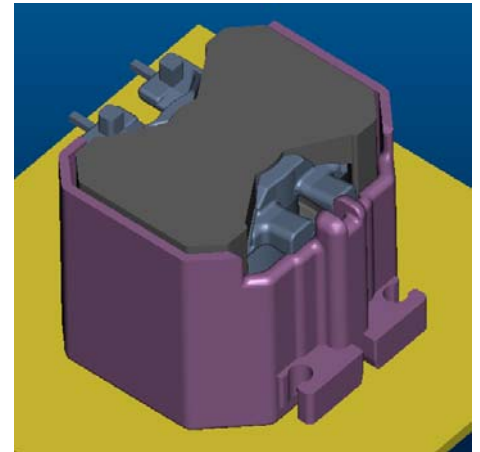
REVISIONS

REV	SYM	DRAFTER	CHECKER	DATE
△1		X.H.GU	G.F.YANG	01/14/16
△2		X.H.GU	G.F.YANG	05/17/16
△3				

TOP

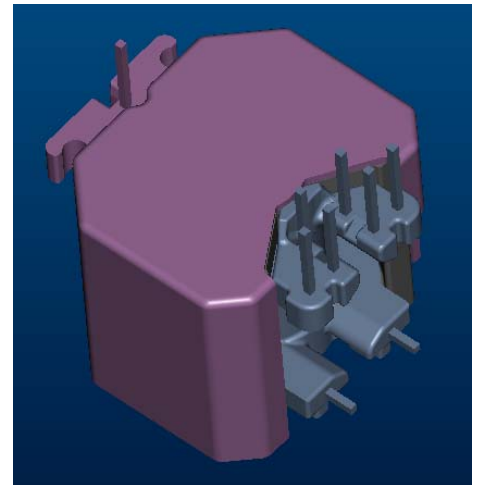


TOP

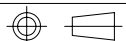


BOTTOM

BOTTOM



ITEM	PART NO.	MATERIAL	DWG NO.	Core Set Parameters
CORE	LQ20/16.8	JPP-44A		$A_e=59.4\text{mm}^2$ $L_e=38.7\text{mm}$ $C_1=0.652\text{mm}^{-1}$ $V_e=2298.78\text{mm}^3$
CORE	LQ20/16.8	JPP-95		
BOBBIN	TBI-247-01061.11XX		LQ20-16.8-8P-TH-F-11	
CASE	TBI-247-01071.11XX		LQ20-16.8-1P-CASE-G-11	



UNIT : m/m

SCALE 1 : 1

REV 2