

1

2

3

4

TBI TRANSFORMER BOBBIN
INDUSTRIAL CO.,LTD.

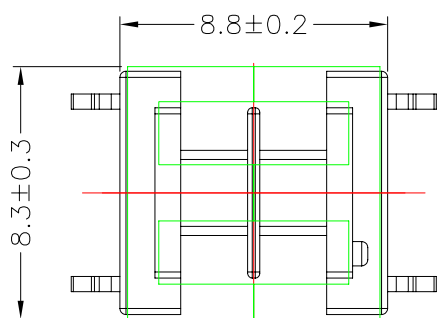
Tel : 86-769-88789999 Fax : 86-769-88789989

http:// tbi-tw.com e-mail : tb6688@ms46.hinet.net

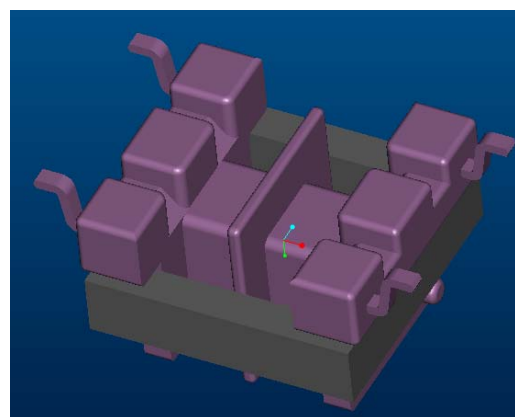
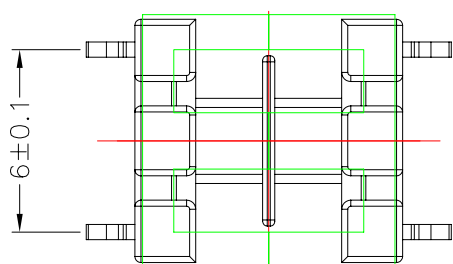
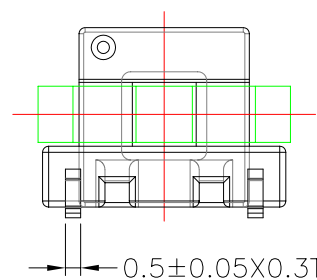
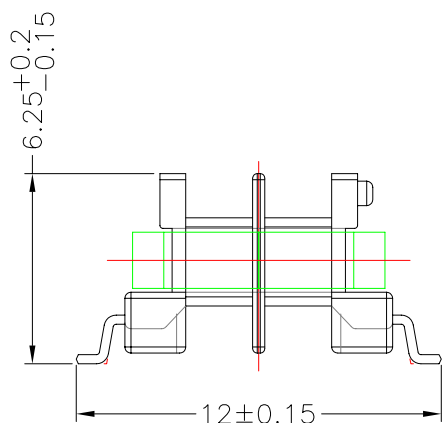
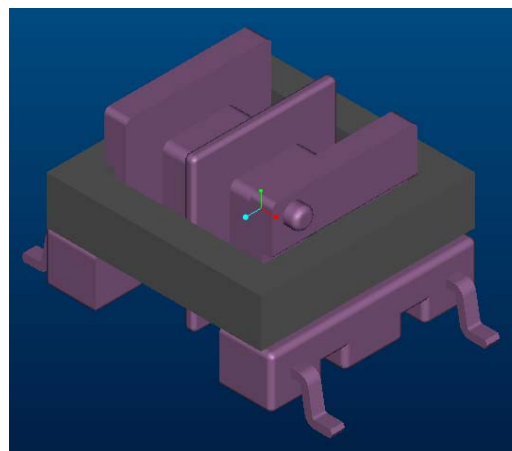
REVISIONS

REV	SYM	DRAFTER	CHECKER	DATE
△1		YAN.TANG	G.F.YANG	10/08/10
△2				
△3				

TOP

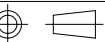


TOP



BOTTOM

BOTTOM

ITEM	PART NO.	MATERIAL	DWG NO.	Core Set Parameters	
CORE	EE8.3	JPP-44A		$A_e=3.74\text{mm}^2$ $L_e=20.39\text{mm}$ $V_e=76.2\text{mm}^3$	
CORE	EE8.3	JPP-95			
BOBBIN	TBI-101-03172.11XX		EE8.3-4P-GW-5.0-1G-11-2S		
				UNIT : m / m	SCALE 1 : 1

REV 1