

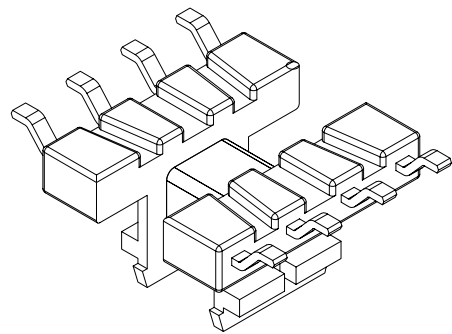
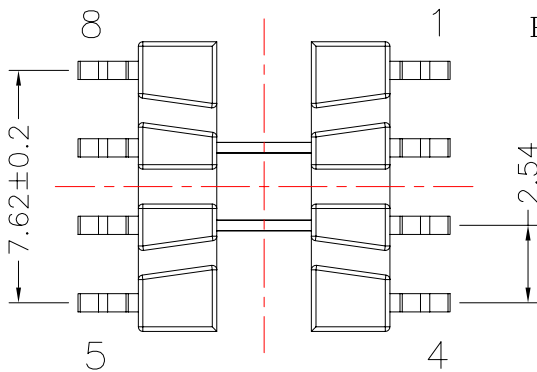
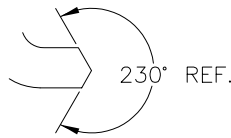
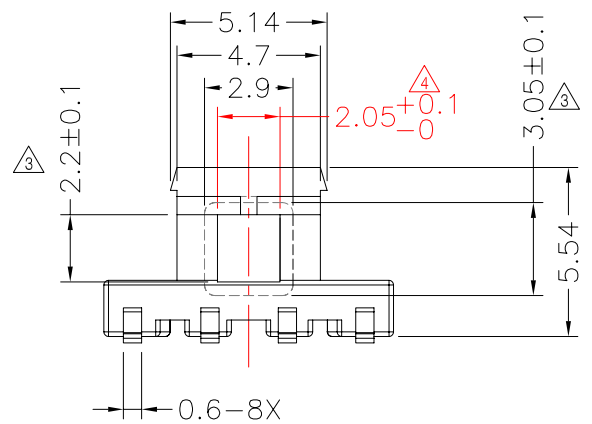
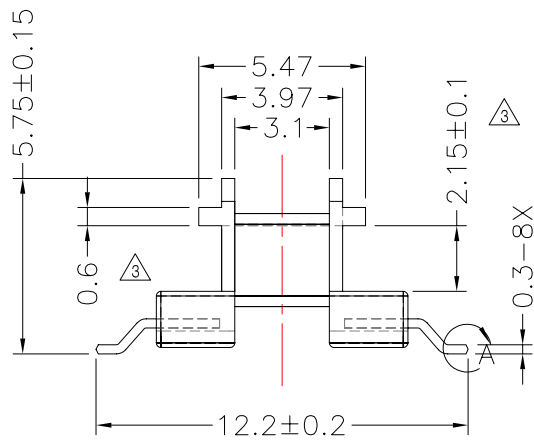
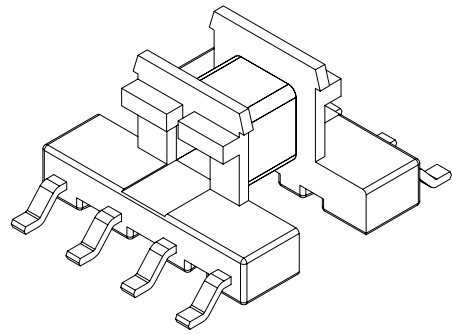
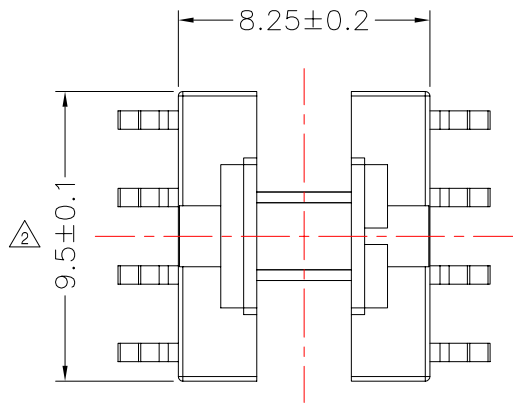


TRANSFORMER BOBBIN
INDUSTRIAL CO.,LTD.

Tel : 86-769-88789999 Fax : 86-769-88789989
http:// tbi-tw.com e-mail : tb6688@ms46.hinet.net

REVISIONS

REV	SYM	DRAFTER	CHECKER	DATE
△2		G.F.YANG	W.H.HSU	03/09/10
△3		X.H.GU	G.F.YANG	08/30/11
△4		G.F.YANG	W.H.HSU	01/13/12



DWG NO. EE8.8-8P-GW-2.54-0H-1

PART NO.	MATERIAL (BOBBIN)	MATERIAL (TERMINAL)	TERMINAL (PLATING)	PIN ALLOCATION	NOTE
TBI-101-03081.103	PM-9630	PB	Sn	ALL PIN	
					H

TOLERANCE: .X±0.15 .XX±0.10 .XXX±0.05 UNIT : m / m SCALE 4 : 1

Finish: 1. PB wire Immersion Sn on terminal : Thickness:Sn plating,100,5 μm (200 μ inches) min,Base nickel 0.625 μm (25 μ inches) min.

2. CP wire Immersion Sn on terminal : Thickness:Sn plating,100,5 μm (200 μ inches) min.

3. Coplanarity deviation: 0.10 mm (0.004 inches) max.

REV 4