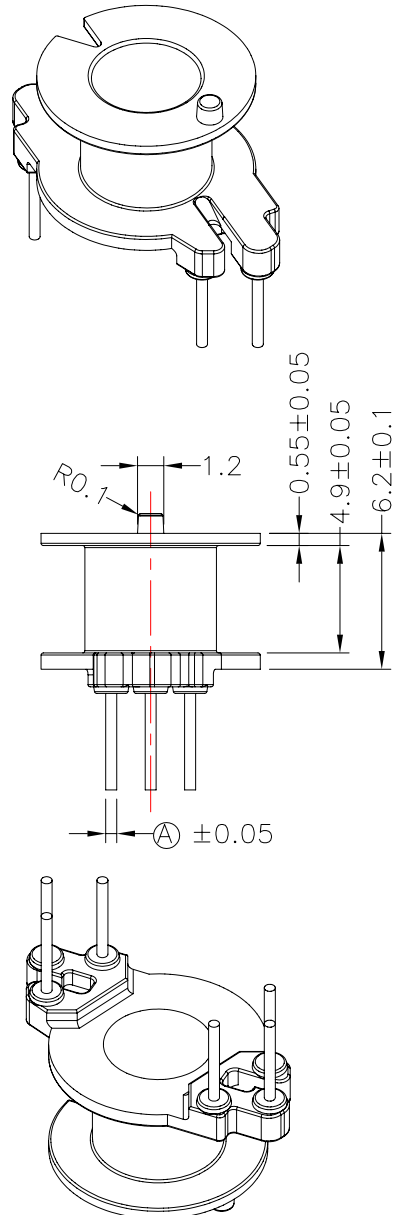
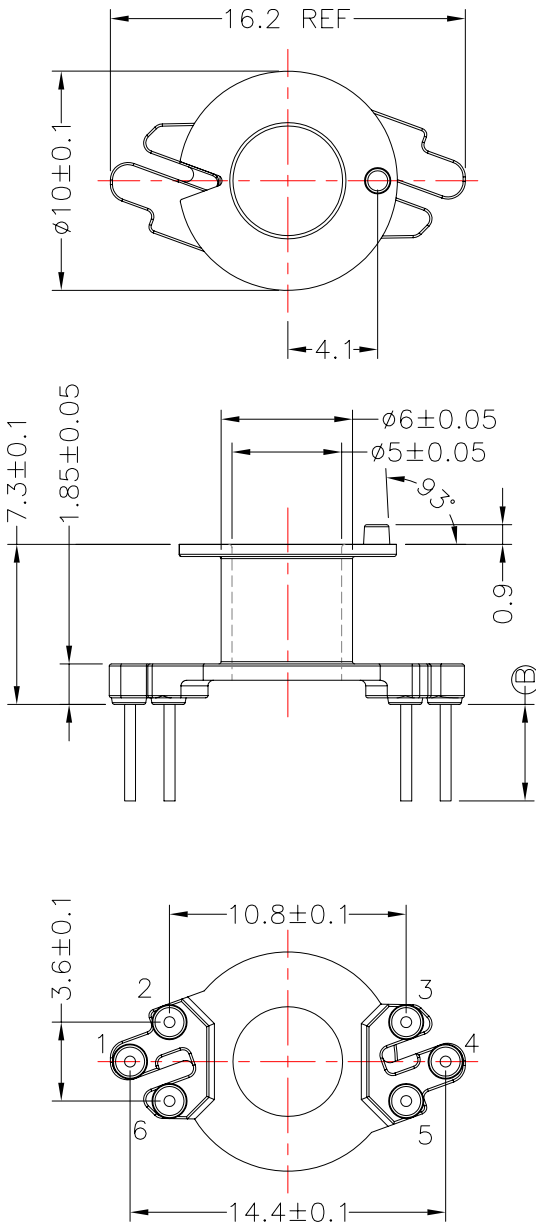




TRANSFORMER BOBBIN INDUSTRIAL CO.,LTD.

Tel : 86-769-88789999 Fax : 86-769-88789989
 http:// tbi-tw.com e-mail : tb6688@ms46.hinet.net

REVISIONS				
REV	SYM	DRAFTER	CHECKER	DATE
△9		Y.G.HSU	W.H.HSU	02/07/07
△10		YAN.TANG	W.H.HSU	04/19/07
△11		YAN.TANG	G.F.YANG	11/15/07



DWG NO.	RM5-6P-TH-B-1				
PART NO.	MATERIAL (BOBBIN)	MATERIAL (TERMINAL)	TERMINAL (PLATING)	PIN ALLOCATION	NOTE
TBI-208-03021.106	PM-9630	CP WIRE	Sn	ALL PIN (A)= $\phi 0.5$ (B)=4.4 ± 0.3	
TBI-208-03021.116	PM-9630	CP WIRE	Sn	CUT PIN #1,4 (A)= $\phi 0.5$ (B)=4.4 ± 0.3	
TBI-208-03021.126	PM-9630	CP WIRE	Sn	CUT PIN #4 (A)= $\phi 0.5$ (B)=4.4 ± 0.3	
TBI-208-03021.136	PM-9630	CP WIRE	Sn	ALL PIN (A)=SQ0.4 (B)=5.0 ± 0.3	
TBI-208-03021.146	PM-9630	CP WIRE	Sn	CUT PIN #1,4 (A)=SQ0.4 (B)=4.4 ± 0.3	
TBI-208-03021.156	PM-9630	CP WIRE	Sn	ALL PIN (A)= $\phi 0.5$ (B)=6.0 ± 0.3	
TBI-208-03021.166	PM-9630	CP WIRE	Sn	ALL PIN (A)= $\phi 0.5$ (B)=5.0 ± 0.3	
TBI-208-03021.176	PM-9630	CP WIRE	Sn	CUT PIN #1 (A)= $\phi 0.5$ (B)=4.4 ± 0.3	
TBI-208-03021.186	PM-9630	CP WIRE	Sn	ALL PIN (A)= $\phi 0.5$ (B)=4.0 ± 0.2	
TBI-208-03021.196	PM-9630	CP WIRE	Sn	CUT PIN #4 (A)= $\phi 0.5$ (B)=4.0 ± 0.2	
TBI-208-03021.1A6	PM-9630	CP WIRE	Sn	ALL PIN (A)= $\phi 0.5$ (B)=3.5 ± 0.2	

TOLERANCE: .X ± 0.15 .XX ± 0.10 .XXX ± 0.05 UNIT : m / m SCALE 1 : 1

Finish: 1. Pb wire Immersion Sn on terminal : Thickness:Sn plating,100,5 μ m (200 μ inches) min,Base nickel 0.625 μ m (25 μ inches) min.
 2. CP wire Immersion Sn on terminal : Thickness:Sn plating,100,5 μ m (200 μ inches) min.
 3. Coplanarity deviation: 0.10 mm (0.004 inches)max.

REV 11

A-CORE

A-CORE JIANGMEN ELECTRONICS CO.,LTD
 江門安磁電子有限公司

TBI

TRANSFORMER BOBBIN
 INDUSTRIAL CO.,LTD.

ELECTRICAL CO. Tel : 86-750-3867791 Fax : 86-750-3867787

Tel : 86-769-88789999 Fax : 86-769-88789989

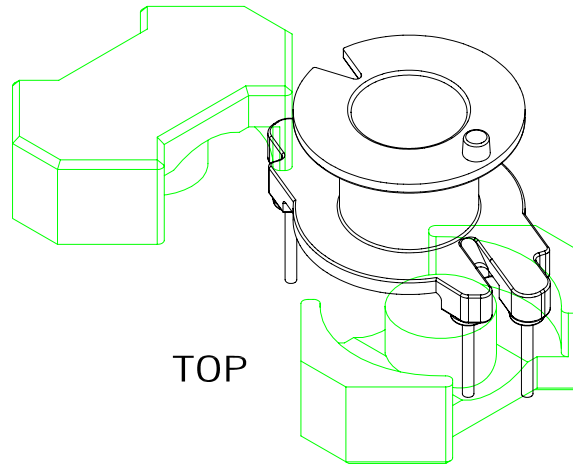
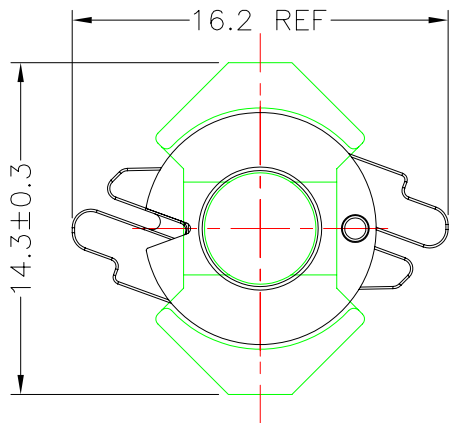
e-mail : sales@acore-ferrite.com

http:// tbi-tw.com e-mail : tb6688@ms46.hinet.net

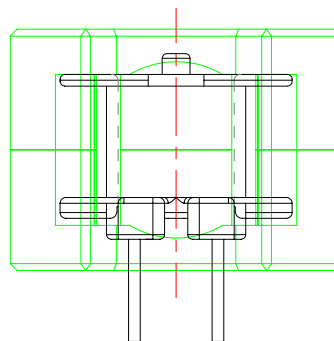
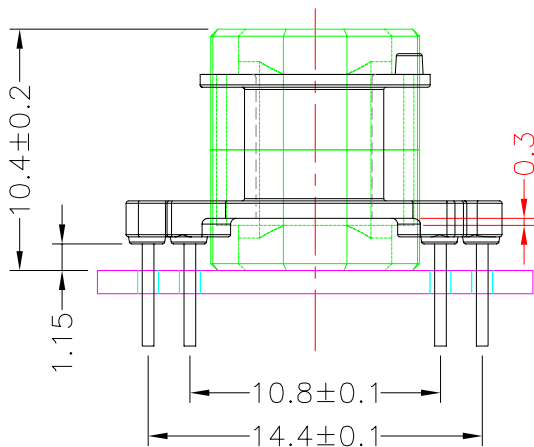
REVISIONS

REV	SYM	DRAFTER	CHECKER	DATE
△1		Y.G.HSU	W.H.HSU	02/07/07
△2		YAN.TANG	W.H.HSU	04/19/07
△3		YAN.TANG	G.F.YANG	11/15/07

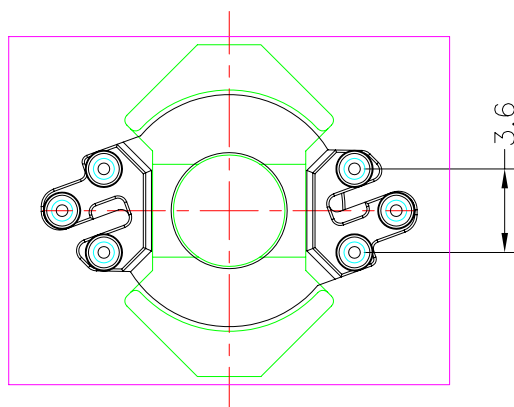
TOP



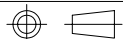
TOP



BOTTOM



ITEM	PART NO.	MATERIAL	DWG NO.	Core Set Parameters
CORE	RM5	JPP-44A		Ae=23.8mm ² Le=22.1mm C1=0.929mm ⁻¹ Ve=525.98mm ³
CORE	RM5	JPP-95		
BOBBIN	TBI-208-03021.11XX		RM5-6P-TH-B-1	



UNIT : m / m

SCALE 1 : 1

REV 11