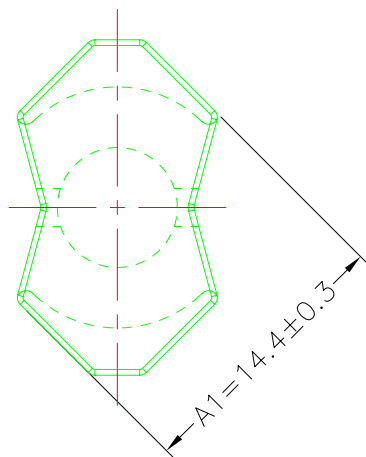
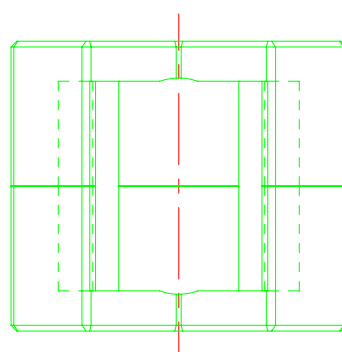
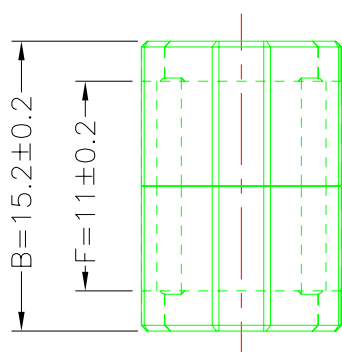
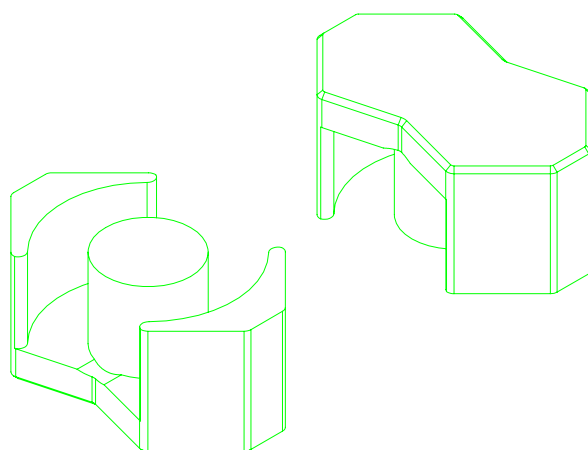
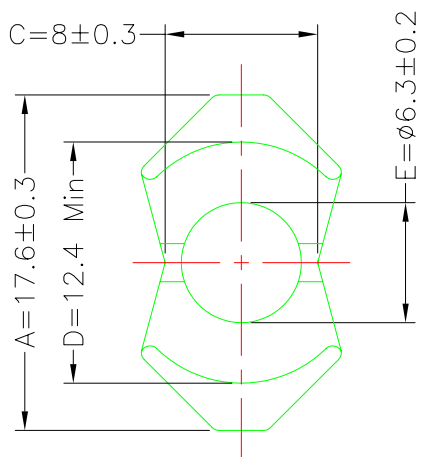


A-CORE
ELECTRICAL CO.

A-CORE JIANGMEN ELECTRONICS CO.,LTD
 江门安磁电子有限公司
 Tel: 86-750-3867791 Fax : 86-750-3867787

| REVISIONS | | | | |
|-----------|-----|---------|----------|----------|
| REV | SYM | DRAFTER | CHECKER | DATE |
| ① | | X.H.GU | G.F.YANG | 09/24/14 |
| ② | | | | |
| ③ | | | | |



Core Set Parameters

$A_e = 36.4\text{mm}^2$
 $L_e = 36.2\text{mm}$
 $C1 = 0.995\text{mm}^{-1}$
 $V_e = 1317.68\text{mm}^3$

| | | | | | |
|-----------|---|---------------------|--------------------|----------------|-------------|
| DWG NO. | RM6/15.2G-CORE | | | | |
| PART NO. | MATERIAL (BOBBIN) | MATERIAL (TERMINAL) | TERMINAL (PLATING) | PIN ALLOCATION | NOTE |
| RM6/15.2G | JPP-44A | | | | |
| RM6/15.2G | JPP-95 | | | | |
| | | | | | |
| | | | | | |
| | | | | | |
| | | | | | |
| Finish: | TOLERANCE: $0 < L \leq 4: \pm 0.1$ $4 < L \leq 16: \pm 0.2$ $16 < L \leq 63: \pm 0.3$ | | | UNIT : m / m | SCALE 1 : 1 |
| | | | | REV | 1 |

